

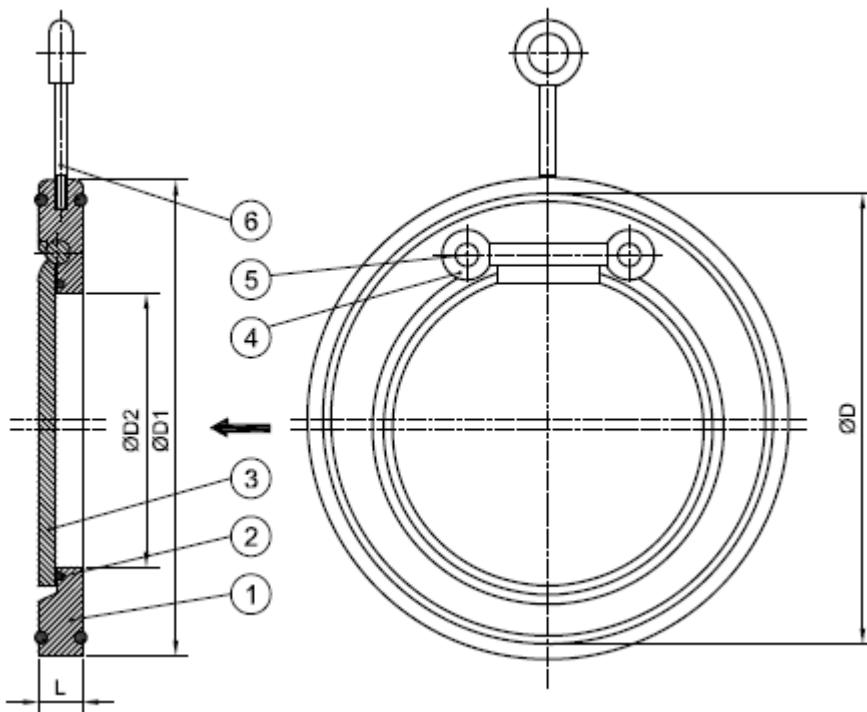
WAFER TYPE SWING CHECK VALVE

Features:

- Wafer Type
- Wafer connection
- Size: 2" to 14" (DN50-350)
- Working Pressure: 150#, JIS 5K, JIS 10K, PN10, PN16
- Material: SS316, CF8M
- Applicable Medium: General oil, Gas & Water applications
- Temperature Range: -20°C to 280°C



AddisOn **Flu!ds**



Technical Specifications

1. Basic design and manufacture according to ASME B16.34
2. Face to face dimensions according to DIN 3202
3. Inspection and tested according to API 598

Performance Specification Sheet			
Nominal pressure		PN16	
Test pressure	Strength test	8.3	MPa
	Seal test	6.1	
	Air seal test	-	
Applicable Medium: General oil, gas & water			

Ordering Information

VL - S - B2 - G - 1000 - 08
 I II III IV V VI

I Type of Item

VL Low Pressure Valves

II Material Grade

S SS316, CF8M

B Brass

III Item

GA	Gate Valve	B1	1 PC Ball Valve
GL	Globe Valve	B2	2 PC Ball Valve
YS	Y-Strainer	B3	3 PC Ball Valve
SC	Swing Check Valve	BL	3 Way Ball Valve L Port
VC	Vertical Check Valve	BT	3 Way Ball Valve T Port
WC	Wafer Check Valve	BMF	Male x Female Mini Ball Valve
DD	Dual Disc		

IV Connection Type

SW	S/W	G	BSPP
BW	B/W	N	NPT
R	BSPT	F	Flanged End
W	Wafer		

V Pressure

200	200 PSI	1000	1000 PSI
300	300 PSI	150	ANSI 150# Flange Standard
600	600 PSI	10K	JIS 10K Flange Standard
800	800 PSI		

For Inch OD & Inch NB Sizes

VI Size

Size	1/8"	1/4"	5/16"	3/8"	1/2"	5/8"	3/4"
Code	02	04	05	06	08	10	12
Size	1"	1 1/4"	1 1/2"	2"	2 1/2"	3"	4"
Code	16	20	24	32	40	48	64

VII Coating

(none) No additional Coating
 NI Nickel Plating

Material List:

No.	Part Name	Material
1	Body	CF8M/SS316
2	O-Ring	Viton
3	Disc	SS316
4	Washer	CF8M/SS316
5	Bolt	SS316
6	Eye Bolt	SS316

Dimension List:

NPS	Connection	Impa Code	Part No	DN	ØD	ØD1	ØD2	L
2"	Wafer	-	VL-S-SC-W-200-32	50	93	108	33	22
2 1/2"	Wafer	-	VL-S-SC-W-200-40	65	113.8	128	41	22
3"	Wafer	-	VL-S-SC-W-200-48	80	128	144	54	22
4"	Wafer	-	VL-S-SC-W-200-64	100	144.5	170	71	22
5"	Wafer	-	VL-S-SC-W-200-80	125	173.5	196	92	23
6"	Wafer	-	VL-S-SC-W-200-96	150	197.5	228	112	24
8"	Wafer	-	VL-S-SC-W-200-128	200	254.5	291	155	30
10"	Wafer	-	VL-S-SC-W-200-160	250	306.5	354	201	39
12"	Wafer	-	VL-S-SC-W-200-192	300	387.5	420	240	53
14"	Wafer	-	VL-S-SC-W-200-224	350	438	444	263	53

Part Number Reference:

Impa Code	Part No	Description
-	VL-S-SC-W-200-24	2" SS316 WAFER SWING CHECK VALVE PN16
-	VL-S-SC-W-200-32	2 1/2" SS316 WAFER SWING CHECK VALVE PN16
-	VL-S-SC-W-200-40	3" SS316 WAFER SWING CHECK VALVE PN16
-	VL-S-SC-W-200-48	4" SS316 WAFER SWING CHECK VALVE PN16
-	VL-S-SC-W-200-64	5" SS316 WAFER SWING CHECK VALVE PN16
-	VL-S-SC-W-200-96	6" SS316 WAFER SWING CHECK VALVE PN16
-	VL-S-SC-W-200-128	8" SS316 WAFER SWING CHECK VALVE PN16
-	VL-S-SC-W-200-160	10" SS316 WAFER SWING CHECK VALVE PN16
-	VL-S-SC-W-200-192	12" SS316 WAFER SWING CHECK VALVE PN16
-	VL-S-SC-W-200-224	14" SS316 WAFER SWING CHECK VALVE PN16

Chuan Kok Hardware & Machinery Pte Ltd

Address: 1783 Geylang Bahru #01-02, Kallang Distripark Singapore 339708

Telephone Number: +65 6294 2566

Fax Number: +65 6295 7013

Email Address: info@chuankok.com

Website: www.chuankok.com

Business Registration Number: 198201577Z

Country of Registration: Singapore

Conditions of Use of Catalogue

The information in the catalogue are not binding and in order to improve distribution, Chuan Kok Hardware & Machinery Pte Ltd reserves the right to make any change including size and pressure ratings considered necessary at any time and without prior notice.

According to the copyright and the civil law, any reproduction (also partial) of figures and texts of this catalogue by means of electronic, mechanical, photocopies, microfilms, recordings or other is forbidden without Chuan Kok Hardware & Machinery Pte Ltd's authorization.

Catalogue Version: 1216