

**Low Pressure Valves**
**Dimension Specifications:**

BSPP Threads conform to ISO 228-1, DIN 259, BS2779

BSPT Threads conform to ISO 7-1, DIN2999, BS21

NPT Threads conform to ASME B1.20.1

**Material Specifications:**

ASTM A351 CF8M, SS316

**Threaded End:**

BSPP, BSPT, NPT



AddisOn Fluids

**Stainless Steel Valves Chemical Composition:**

ASTM A351 CF8M, SS316 Chemical Composition in %								
	C	Mn	P	S	Si	Ni	Cr	Mo
<b>Min.</b>						9.0	18.0	2.00
<b>Max.</b>	0.080	1.500	0.040	0.040	1.500	12.0	21.0	3.00








**Mechanical Properties of the Stainless Steel Valves at room temperature:**

SS316/SS316L	Tensile Strength $R_m$ N/mm <sup>2</sup>	Upper Yield Point $R_{eH}$ N/mm <sup>2</sup> min.	Elongation at rupture $A_5$ % min.	Hardness Test HRB
<b>Min.</b>	485	205	30	
<b>Max.</b>				80

**INDEX**

Type	Standard	Page No.
<b>STAINLESS STEEL LOW PRESSURE THREADED END BALL VALVE</b>		1 PC REDUCED BORE 1000PSI STAINLESS STEEL THREADED BALL VALVE 5-7
		2 PC FULL BORE 1000PSI , 2000PSI STAINLESS STEEL THREADED BALL VALVE 8-12
		3 PC FULL BORE 1000PSI STAINLESS STEEL THREADED/SOCKET WELD END BALL VALVE 13-15
		3 PC FULL BORE 1000PSI STAINLESS STEEL BUTT WELD END BALL VALVE 16-17
		LOW PRESSURE 1000PSI STAINLESS STEEL 3 WAY BALL VALVE L-PORT 18-19
		LOW PRESSURE 1000PSI STAINLESS STEEL 3 WAY BALL VALVE T-PORT 20-21
<b>STAINLESS STEEL FLANGE END BALL VALVE</b>		ANSI 150# STAINLESS STEEL 2 PC FLANGE BALL VALVE 22-24
		ANSI 300# STAINLESS STEEL 2 PC FLANGE BALL VALVE 25-27
		JIS 10K STAINLESS STEEL 2 PC FLANGE BALL VALVE 28-30

**INDEX**

Type	Standard		Page No.
STAINLESS STEEL LOW PRESSURE THREADED END CHECK VALVE		LOW PRESSURE STAINLESS STEEL SWING CHECK VALVE	31-33
		LOW PRESSURE STAINLESS STEEL SPRING CHECK VALVE	34-36
BRASS LOW PRESSURE THREADED END BALL VALVE		THREADED END BRASS NICKLE PLATED STANDARD BALL VALVE 300 PSI	37-39
		THREADED END BRASS NICKLE PLATED M x F MINI BALL VALVE 300 PSI	40
STAINLESS STEEL Y-STRAINER SCREWED MODEL		THREADED END STAINLESS STEEL Y-STRAINER	41-42
STAINLESS STEEL FLANGE END Y-STRAINER		ANSI 150# STAINLESS STEEL FLANGE END Y-STRAINER	43-44
		JIS 10K STAINLESS STEEL FLANGE END Y-STRAINER	45-46

**Ordering Information**

 VL - S - B2 - G - 1000 - 08  
 I II III IV V VI

**I Type of Item**

VL Low Pressure Valves

**II Material Grade**

S SS316, CF8M

B Brass

**III Item**

GA	Gate Valve	B1	1 PC Ball Valve
GL	Globe Valve	B2	2 PC Ball Valve
YS	Y-Strainer	B3	3 PC Ball Valve
SC	Swing Check Valve	BL	3 Way Ball Valve L Port
VC	Vertical Check Valve	BT	3 Way Ball Valve T Port
WC	Wafer Check Valve	BMF	Male x Female Mini Ball Valve

**IV Connection Type**

SW	S/W	G	BSP
BW	B/W	N	NPT
R	BSPT	F	Flanged End

**V Pressure**

200	200 PSI	1000	1000 PSI
300	300 PSI	150	ANSI 150# Flange Standard
800	800 PSI	10K	JIS 10K Flange Standard

For Inch OD &amp; Inch NB Sizes

**VI Size**

Size	1/8"	1/4"	5/16"	3/8"	1/2"	5/8"	3/4"
Code	02	04	05	06	08	10	12
Size	1"	1 1/4"	1 1/2"	2"	2 1/2"	3"	4"
Code	16	20	24	32	40	48	64

**VII Coating**

(none) No additional Coating

NI Nickel Plating

### 1 PC REDUCED BORE 1000PSI STAINLESS STEEL THREADED BALL VALVE

#### Feature:

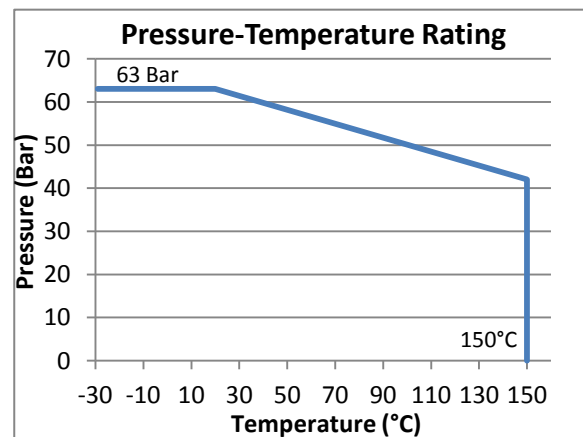
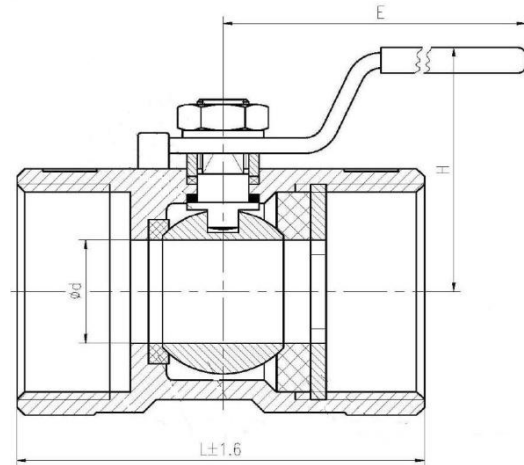
- 1 PC Body Design
- Reduced Bore, Quarter turn operation
- Size: 1/4" – 4" (DN8-100)
- Working Pressure: 1000 PSI
- Threaded End:  
BSPP, NPT
- Applicable Medium: General oil, Gas & Water applications
- Blow-out Proof Stem Design
- Temperature Range: -29°C to 150°C



Addison Fluids

#### Material List:

No.	Part Name	Material
1	Body	SS316, CF8M
2	Cap	SS316
3	Seat	PTFE
4	Ball	SS316
5	Seal Gasket	PTFE
6	Stem Seal	PTFE
7	Stem	SS316
8	Anti-Static Device	SS304
9	Stem Packing	PTFE
10	Packing Gland	SS304
11	Spring Washer	SS301
12	Handle	SS304
13	Stem Nut	SS304



**Dimension List:**

NPS	Connection	Impa Code	Part No	d	L	H	E	Weight (kg)
1/4"	BSPP	75 24 11	VL-S-B1-G-1000-04	5	40	24	72	0.07
3/8"	BSPP	75 24 12	VL-S-B1-G-1000-06	7	45	27	80	0.10
1/2"	BSPP	75 24 13	VL-S-B1-G-1000-08	9	57	34.5	97	0.20
3/4"	BSPP	75 24 14	VL-S-B1-G-1000-12	12	60	40	92	0.26
1"	BSPP	75 24 15	VL-S-B1-G-1000-16	15	70.5	44	125	0.40
1 1/4"	BSPP	75 24 16	VL-S-B1-G-1000-20	20	78	50	125	0.70
1 1/2"	BSPP	75 24 17	VL-S-B1-G-1000-24	25	83.5	54	155	0.80
2"	BSPP	75 24 18	VL-S-B1-G-1000-32	32	99.5	60	155	1.28
2 1/2"	BSPP	-	VL-S-B1-G-1000-40	38	122	87	183	2.34
3"	BSPP	-	VL-S-B1-G-1000-48	50	148.5	97	183	3.50
4"	BSPP	-	VL-S-B1-G-1000-64	65	193	117	220	9.05
1/4"	NPT	-	VL-S-B1-N-1000-04	5	40	24	72	0.07
3/8"	NPT	-	VL-S-B1-N-1000-06	7	45	27	80	0.10
1/2"	NPT	-	VL-S-B1-N-1000-08	9	57	34.5	97	0.20
3/4"	NPT	-	VL-S-B1-N-1000-12	12	60	40	92	0.26
1"	NPT	-	VL-S-B1-N-1000-16	15	70.5	44	125	0.40
1 1/4"	NPT	-	VL-S-B1-N-1000-20	20	78	50	125	0.70
1 1/2"	NPT	-	VL-S-B1-N-1000-24	25	83.5	54	155	0.80
2"	NPT	-	VL-S-B1-N-1000-32	32	99.5	60	155	1.28
2 1/2"	NPT	-	VL-S-B1-N-1000-40	38	122	87	183	2.34
3"	NPT	-	VL-S-B1-N-1000-48	50	148.5	97	183	3.50
4"	NPT	-	VL-S-B1-N-1000-64	65	193	117	220	9.05

**Part Number Reference:**

Impa Code	Part No	Description
75 24 11	VL-S-B1-G-1000-04	1/4"BSPP SS316 1 PC BALL VALVE (1000 WOG)
75 24 12	VL-S-B1-G-1000-06	3/8"BSPP SS316 1 PC BALL VALVE (1000 WOG)
75 24 13	VL-S-B1-G-1000-08	1/2"BSPP SS316 1 PC BALL VALVE (1000 WOG)
75 24 14	VL-S-B1-G-1000-12	3/4"BSPP SS316 1 PC BALL VALVE (1000 WOG)
75 24 15	VL-S-B1-G-1000-16	1"BSPP SS316 1 PC BALL VALVE (1000 WOG)
75 24 16	VL-S-B1-G-1000-20	1 1/4"BSPP SS316 1 PC BALL VALVE (1000 WOG)
75 24 17	VL-S-B1-G-1000-24	1 1/2"BSPP SS316 1 PC BALL VALVE (1000 WOG)
75 24 18	VL-S-B1-G-1000-32	2"BSPP SS316 1 PC BALL VALVE (1000 WOG)
-	VL-S-B1-G-1000-40	2 1/2"BSPP SS316 1 PC BALL VALVE (1000 WOG)
-	VL-S-B1-G-1000-48	3"BSPP SS316 1 PC BALL VALVE (1000 WOG)
-	VL-S-B1-G-1000-64	4"BSPP SS316 1 PC BALL VALVE (1000 WOG)
-	VL-S-B1-N-1000-04	1/4"NPT SS316 1 PC BALL VALVE (1000 WOG)
-	VL-S-B1-N-1000-06	3/8"NPT SS316 1 PC BALL VALVE (1000 WOG)
-	VL-S-B1-N-1000-08	1/2"NPT SS316 1 PC BALL VALVE (1000 WOG)
-	VL-S-B1-N-1000-12	3/4"NPT SS316 1 PC BALL VALVE (1000 WOG)
-	VL-S-B1-N-1000-16	1"NPT SS316 1 PC BALL VALVE (1000 WOG)
-	VL-S-B1-N-1000-20	1 1/4"NPT SS316 1 PC BALL VALVE (1000 WOG)
-	VL-S-B1-N-1000-24	1 1/2"NPT SS316 1 PC BALL VALVE (1000 WOG)
-	VL-S-B1-N-1000-32	2"NPT SS316 1 PC BALL VALVE (1000 WOG)
-	VL-S-B1-N-1000-40	2 1/2"NPT SS316 1 PC BALL VALVE (1000 WOG)
-	VL-S-B1-N-1000-48	3"NPT SS316 1 PC BALL VALVE (1000 WOG)
-	VL-S-B1-N-1000-64	4"NPT SS316 1 PC BALL VALVE (1000 WOG)

### 2 PC FULL BORE 1000PSI STAINLESS STEEL THREADED BALL VALVE

#### Feature:

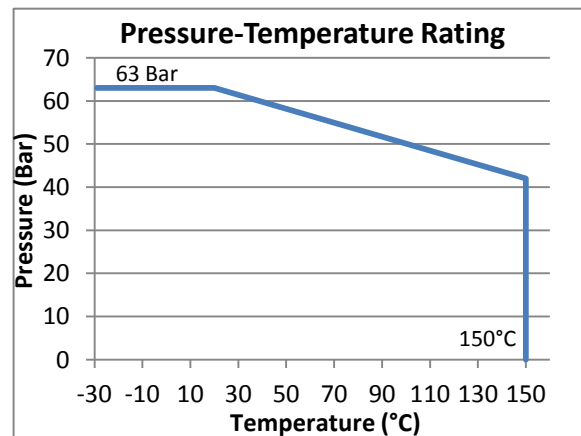
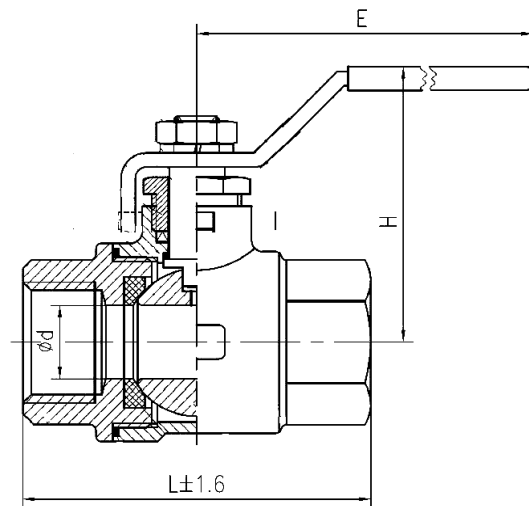
- 2 PC Body Design
- Full Bore, Quarter turn operation
- Size: 1/4" – 4" (DN8-100)
- Working Pressure: 1000 PSI / 2000 PSI
- Threaded End:  
BSPP, NPT
- Applicable Medium: General oil, Gas & Water applications
- Blow-out Proof Stem Design
- Temperature Range: -29°C to 150°C



Addison **Flu**ds

#### Material List:

No.	Part Name	Material
1	Body	SS316, CF8M
2	Cap	SS316
3	Seat	PTFE
4	Ball	SS316
5	Seal Gasket	PTFE
6	Stem Seal	PTFE
7	Stem	SS316
8	Anti-Static Device	SS304
9	Stem Packing	PTFE
10	Packing Gland	SS304
11	Spring Washer	SS301
12	Handle	SS304
13	Stem Nut	SS304





**Dimension List for 1000 PSI:**

NPS	Connection	Impa Code	Part No	d	L	H	E	Weight (kg)
1/4"	BSPP	75 66 65	VL-S-B2-G-1000-04	10	53	45	100	0.21
3/8"	BSPP	75 66 66	VL-S-B2-G-1000-06	12	53	45	100	0.25
1/2"	BSPP	75 66 67	VL-S-B2-G-1000-08	15	62	49	104	0.30
3/4"	BSPP	75 66 68	VL-S-B2-G-1000-12	20	70	55	118	0.51
1"	BSPP	75 66 69	VL-S-B2-G-1000-16	25	81	67	145	0.75
1 1/4"	BSPP	75 66 70	VL-S-B2-G-1000-20	32	95	70	145	1.48
1 1/2"	BSPP	75 66 71	VL-S-B2-G-1000-24	38	105	80	177	1.72
2"	BSPP	75 66 72	VL-S-B2-G-1000-32	50	117	92	177	3.08
2 1/2"	BSPP	75 66 73	VL-S-B2-G-1000-40	65	163	113	224	4.85
3"	BSPP	75 66 74	VL-S-B2-G-1000-48	80	190	127	242	7.53
4"	BSPP	-	VL-S-B2-G-1000-64	96	227	180	280	13.5
1/4"	NPT	75 65 89	VL-S-B2-N-1000-04	10	53	45	100	0.21
3/8"	NPT	75 65 90	VL-S-B2-N-1000-06	12	53	45	100	0.25
1/2"	NPT	75 65 91	VL-S-B2-N-1000-08	15	62	49	104	0.30
3/4"	NPT	75 65 92	VL-S-B2-N-1000-12	20	70	55	118	0.51
1"	NPT	75 65 93	VL-S-B2-N-1000-16	25	81	67	145	0.75
1 1/4"	NPT	75 65 94	VL-S-B2-N-1000-20	32	95	70	145	1.48
1 1/2"	NPT	75 65 95	VL-S-B2-N-1000-24	38	105	80	177	1.72
2"	NPT	75 65 96	VL-S-B2-N-1000-32	50	117	92	177	3.08
2 1/2"	NPT	75 65 97	VL-S-B2-N-1000-40	65	163	113	224	4.85
3"	NPT	75 65 98	VL-S-B2-N-1000-48	80	190	127	242	7.53
4"	NPT	-	VL-S-B2-N-1000-64	96	227	180	280	13.5

**Part Number Reference for 1000 PSI:**

Impa Code	Part No	Description
75 66 65	VL-S-B2-G-1000-04	1/4"BSPP SS316 2 PC BALL VALVE (1000 WOG)
75 66 66	VL-S-B2-G-1000-06	3/8"BSPP SS316 2 PC BALL VALVE (1000 WOG)
75 66 67	VL-S-B2-G-1000-08	1/2"BSPP SS316 2 PC BALL VALVE (1000 WOG)
75 66 68	VL-S-B2-G-1000-12	3/4"BSPP SS316 2 PC BALL VALVE (1000 WOG)
75 66 69	VL-S-B2-G-1000-16	1"BSPP SS316 2 PC BALL VALVE (1000 WOG)
75 66 70	VL-S-B2-G-1000-20	1 1/4"BSPP SS316 2 PC BALL VALVE (1000 WOG)
75 66 71	VL-S-B2-G-1000-24	1 1/2"BSPP SS316 2 PC BALL VALVE (1000 WOG)
75 66 72	VL-S-B2-G-1000-32	2"BSPP SS316 2 PC BALL VALVE (1000 WOG)
75 66 73	VL-S-B2-G-1000-40	2 1/2"BSPP SS316 2 PC BALL VALVE (1000 WOG)
75 66 74	VL-S-B2-G-1000-48	3"BSPP SS316 2 PC BALL VALVE (1000 WOG)
-	VL-S-B2-G-1000-64	4"BSPP SS316 2 PC BALL VALVE (1000 WOG)
75 65 89	VL-S-B2-N-1000-04	1/4"NPT SS316 2 PC BALL VALVE (1000 WOG)
75 65 90	VL-S-B2-N-1000-06	3/8"NPT SS316 2 PC BALL VALVE (1000 WOG)
75 65 91	VL-S-B2-N-1000-08	1/2"NPT SS316 2 PC BALL VALVE (1000 WOG)
75 65 92	VL-S-B2-N-1000-12	3/4"NPT SS316 2 PC BALL VALVE (1000 WOG)
75 65 93	VL-S-B2-N-1000-16	1"NPT SS316 2 PC BALL VALVE (1000 WOG)
75 65 94	VL-S-B2-N-1000-20	1 1/4"NPT SS316 2 PC BALL VALVE (1000 WOG)
75 65 95	VL-S-B2-N-1000-24	1 1/2"NPT SS316 2 PC BALL VALVE (1000 WOG)
75 65 96	VL-S-B2-N-1000-32	2"NPT SS316 2 PC BALL VALVE (1000 WOG)
75 65 97	VL-S-B2-N-1000-40	2 1/2"NPT SS316 2 PC BALL VALVE (1000 WOG)
75 65 98	VL-S-B2-N-1000-48	3"NPT SS316 2 PC BALL VALVE (1000 WOG)
-	VL-S-B2-N-1000-64	4"NPT SS316 2 PC BALL VALVE (1000 WOG)

**Dimension List for 2000 PSI:**

NPS	Connection	Impa Code	Part No	d	L	H	E	Weight (kg)
1/4"	BSPP	75 66 65	VL-S-B2-G-2000-04	10	55	42	95	0.21
3/8"	BSPP	75 66 66	VL-S-B2-G-2000-06	10	55	42	95	0.25
1/2"	BSPP	75 66 67	VL-S-B2-G-2000-08	15	62	51	108	0.30
3/4"	BSPP	75 66 68	VL-S-B2-G-2000-12	20	72	58	115	0.51
1"	BSPP	75 66 69	VL-S-B2-G-2000-16	25	84	77	135	0.75
1 1/4"	BSPP	75 66 70	VL-S-B2-G-2000-20	32	97	83	150	1.48
1 1/2"	BSPP	75 66 71	VL-S-B2-G-2000-24	38	104	97	175	1.72
2"	BSPP	75 66 72	VL-S-B2-G-2000-32	49	120	106	190	3.08
2 1/2"	BSPP	75 66 73	VL-S-B2-G-2000-40	63	150	122	220	4.85
3"	BSPP	75 66 74	VL-S-B2-G-2000-48	80	164	140	250	7.53
1/4"	NPT	75 65 89	VL-S-B2-N-2000-04	10	55	42	95	0.21
3/8"	NPT	75 65 90	VL-S-B2-N-2000-06	10	55	42	95	0.25
1/2"	NPT	75 65 91	VL-S-B2-N-2000-08	15	62	51	108	0.30
3/4"	NPT	75 65 92	VL-S-B2-N-2000-12	20	72	58	115	0.51
1"	NPT	75 65 93	VL-S-B2-N-2000-16	25	84	77	135	0.75
1 1/4"	NPT	75 65 94	VL-S-B2-N-2000-20	32	97	83	150	1.48
1 1/2"	NPT	75 65 95	VL-S-B2-N-2000-24	38	104	97	175	1.72
2"	NPT	75 65 96	VL-S-B2-N-2000-32	49	120	106	190	3.08
2 1/2"	NPT	75 65 97	VL-S-B2-N-2000-40	63	150	122	220	4.85
3"	NPT	75 65 98	VL-S-B2-N-2000-48	80	164	140	250	7.53

**Part Number Reference for 2000 PSI:**

Impa Code	Part No	Description
75 66 65	VL-S-B2-G-2000-04	1/4"BSPP SS316 2 PC BALL VALVE (2000 WOG)
75 66 66	VL-S-B2-G-2000-06	3/8"BSPP SS316 2 PC BALL VALVE (2000 WOG)
75 66 67	VL-S-B2-G-2000-08	1/2"BSPP SS316 2 PC BALL VALVE (2000 WOG)
75 66 68	VL-S-B2-G-2000-12	3/4"BSPP SS316 2 PC BALL VALVE (2000 WOG)
75 66 69	VL-S-B2-G-2000-16	1"BSPP SS316 2 PC BALL VALVE (2000 WOG)
75 66 70	VL-S-B2-G-2000-20	1 1/4"BSPP SS316 2 PC BALL VALVE (2000 WOG)
75 66 71	VL-S-B2-G-2000-24	1 1/2"BSPP SS316 2 PC BALL VALVE (2000 WOG)
75 66 72	VL-S-B2-G-2000-32	2"BSPP SS316 2 PC BALL VALVE (2000 WOG)
75 66 73	VL-S-B2-G-2000-40	2 1/2"BSPP SS316 2 PC BALL VALVE (2000 WOG)
75 66 74	VL-S-B2-G-2000-48	3"BSPP SS316 2 PC BALL VALVE (2000 WOG)
75 65 89	VL-S-B2-N-2000-04	1/4"NPT SS316 2 PC BALL VALVE (2000 WOG)
75 65 90	VL-S-B2-N-2000-06	3/8"NPT SS316 2 PC BALL VALVE (2000 WOG)
75 65 91	VL-S-B2-N-2000-08	1/2"NPT SS316 2 PC BALL VALVE (2000 WOG)
75 65 92	VL-S-B2-N-2000-12	3/4"NPT SS316 2 PC BALL VALVE (2000 WOG)
75 65 93	VL-S-B2-N-2000-16	1"NPT SS316 2 PC BALL VALVE (2000 WOG)
75 65 94	VL-S-B2-N-2000-20	1 1/4"NPT SS316 2 PC BALL VALVE (2000 WOG)
75 65 95	VL-S-B2-N-2000-24	1 1/2"NPT SS316 2 PC BALL VALVE (2000 WOG)
75 65 96	VL-S-B2-N-2000-32	2"NPT SS316 2 PC BALL VALVE (2000 WOG)
75 65 97	VL-S-B2-N-2000-40	2 1/2"NPT SS316 2 PC BALL VALVE (2000 WOG)
75 65 98	VL-S-B2-N-2000-48	3"NPT SS316 2 PC BALL VALVE (2000 WOG)

### 3 PC FULL BORE 1000PSI STAINLESS STEEL THREADED/SOCKET WELD END BALL VALVE

#### Feature:

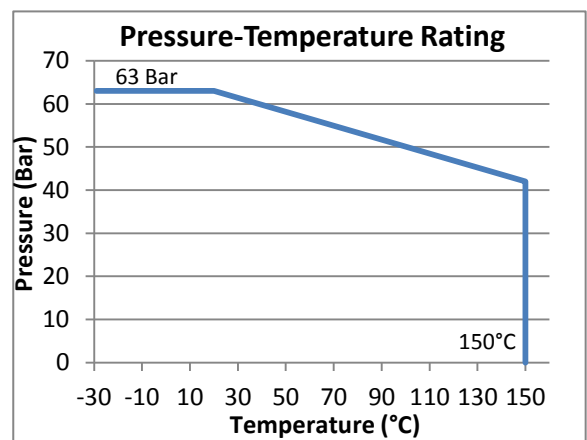
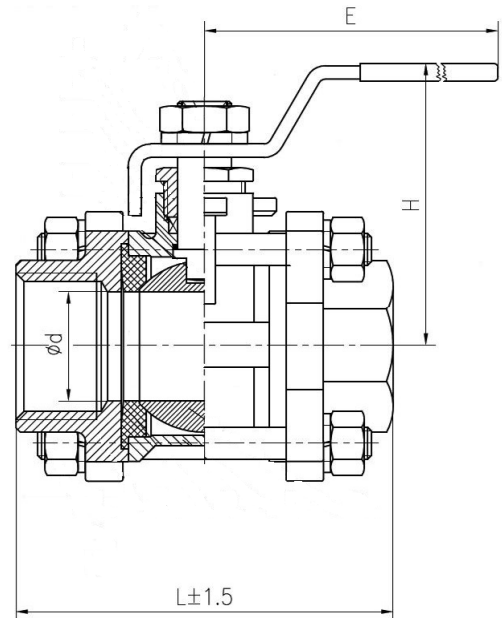
- 3 PC Body Design
- Full Bore, Quarter turn operation
- Size: 1/4" – 4" (DN8-100)
- Working Pressure: 1000 PSI
- Threaded End:  
BSPP, NPT or Socket Welding End
- Applicable Medium: General oil, Gas & Water applications
- Blow-out Proof Stem Design
- Temperature Range: -29°C to 150°C



AddisOn Fluids

#### Material List:

No.	Part Name	Material
1	Body	SS316, CF8M
2	Cap	SS316
3	Seat	PTFE
4	Ball	SS316
5	Seal Gasket	PTFE
6	Stem Seal	PTFE
7	Stem	SS316
8	Anti-Static Device	SS304
9	Stem Packing	PTFE
10	Packing Gland	SS304
11	Spring Washer	SS301
12	Handle	SS304
13	Stem Nut	SS304



**Dimension List for NPT, BSPP, SW End Valve 1000 PSI:**

NPS	Connection	Impa Code	Part No	d	L	H	E	PCD	Weight (kg)
1/4"	BSPP	-	VL-S-B3-G-1000-04	10	66	45	100	-	0.30
3/8"	BSPP	-	VL-S-B3-G-1000-06	12	66	45	100	-	0.30
1/2"	BSPP	-	VL-S-B3-G-1000-08	15	73	53	104	33	0.51
3/4"	BSPP	-	VL-S-B3-G-1000-12	20	79.5	58	118	39.5	0.73
1"	BSPP	-	VL-S-B3-G-1000-16	25	86.5	68	145	43.5	0.91
1 1/4"	BSPP	-	VL-S-B3-G-1000-20	32	108	81	162	55.5	1.56
1 1/2"	BSPP	-	VL-S-B3-G-1000-24	38	118	85	180	60	1.86
2"	BSPP	-	VL-S-B3-G-1000-32	50	144	92	180	75	2.98
2 1/2"	BSPP	-	VL-S-B3-G-1000-40	65	180	115	224	94	6.65
3"	BSPP	-	VL-S-B3-G-1000-48	80	209	130	242	100	10.07
4"	BSPP	-	VL-S-B3-G-1000-64	-	-	-	-	123	17.79
1/4"	NPT	-	VL-S-B3-N-1000-04	10	66	45	100	-	0.30
3/8"	NPT	-	VL-S-B3-N-1000-06	12	66	45	100	-	0.30
1/2"	NPT	-	VL-S-B3-N-1000-08	15	73	53	104	33	0.51
3/4"	NPT	-	VL-S-B3-N-1000-12	20	79.5	58	118	39.5	0.73
1"	NPT	-	VL-S-B1-N-1000-16	25	86.5	68	145	43.5	0.91
1 1/4"	NPT	-	VL-S-B3-N-1000-20	32	108	81	162	55.5	1.56
1 1/2"	NPT	-	VL-S-B3-N-1000-24	38	118	85	180	60	1.86
2"	NPT	-	VL-S-B3-N-1000-32	50	144	92	180	75	2.98
2 1/2"	NPT	-	VL-S-B3-N-1000-40	65	180	115	224	94	6.65
3"	NPT	-	VL-S-B3-N-1000-48	80	209	130	242	100	10.07
4"	NPT	-	VL-S-B3-N-1000-64	-	-	-	-	123	17.79
1/4"	SW	-	VL-S-B3-SW-1000-04	10	66	45	100	-	0.30
3/8"	SW	-	VL-S-B3-SW-1000-06	12	66	45	100	-	0.30
1/2"	SW	-	VL-S-B3-SW-1000-08	15	73	53	104	33	0.51
3/4"	SW	-	VL-S-B3-SW-1000-12	20	79.5	58	118	39.5	0.73
1"	SW	-	VL-S-B3-SW-1000-16	25	86.5	68	145	43.5	0.91
1 1/4"	SW	-	VL-S-B3-SW-1000-20	32	108	81	162	55.5	1.55
1 1/2"	SW	-	VL-S-B3-SW-1000-24	38	118	85	180	60	1.85
2"	SW	-	VL-S-B3-SW-1000-32	50	144	92	180	75	2.98
2 1/2"	SW	-	VL-S-B3-SW-1000-40	65	180	115	224	94	3.54
3"	SW	-	VL-S-B3-SW-1000-48	80	209	130	242	100	6.38
4"	SW	-	VL-S-B3-SW-1000-64	-	-	-	-	123	-

**Part Number Reference:**

Impa Code	Part No	Description
-	VL-S-B3-G-1000-04	1/4"BSPP SS316 3 PC BALL VALVE (1000 WOG)
-	VL-S-B3-G-1000-06	3/8"BSPP SS316 3 PC BALL VALVE (1000 WOG)
-	VL-S-B3-G-1000-08	1/2"BSPP SS316 3 PC BALL VALVE (1000 WOG)
-	VL-S-B3-G-1000-12	3/4"BSPP SS316 3 PC BALL VALVE (1000 WOG)
-	VL-S-B3-G-1000-16	1"BSPP SS316 3 PC BALL VALVE (1000 WOG)
-	VL-S-B3-G-1000-20	1 1/4"BSPP SS316 3 PC BALL VALVE (1000 WOG)
-	VL-S-B3-G-1000-24	1 1/2"BSPP SS316 3 PC BALL VALVE (1000 WOG)
-	VL-S-B3-G-1000-32	2"BSPP SS316 3 PC BALL VALVE (1000 WOG)
-	VL-S-B3-G-1000-40	2 1/2"BSPP SS316 3 PC BALL VALVE (1000 WOG)
-	VL-S-B3-G-1000-48	3"BSPP SS316 3 PC BALL VALVE (1000 WOG)
-	VL-S-B3-G-1000-64	4"BSPP SS316 3 PC BALL VALVE (1000 WOG)
-	VL-S-B3-N-1000-04	1/4"NPT SS316 3 PC BALL VALVE (1000 WOG)
-	VL-S-B3-N-1000-06	3/8"NPT SS316 3 PC BALL VALVE (1000 WOG)
-	VL-S-B3-N-1000-08	1/2"NPT SS316 3 PC BALL VALVE (1000 WOG)
-	VL-S-B3-N-1000-12	3/4"NPT SS316 3 PC BALL VALVE (1000 WOG)
-	VL-S-B3-N-1000-16	1"NPT SS316 3 PC BALL VALVE (1000 WOG)
-	VL-S-B3-N-1000-20	1 1/4"NPT SS316 3 PC BALL VALVE (1000 WOG)
-	VL-S-B3-N-1000-24	1 1/2"NPT SS316 3 PC BALL VALVE (1000 WOG)
-	VL-S-B3-N-1000-32	2"NPT SS316 3 PC BALL VALVE (1000 WOG)
-	VL-S-B3-N-1000-40	2 1/2"NPT SS316 3 PC BALL VALVE (1000 WOG)
-	VL-S-B3-N-1000-48	3"NPT SS316 3 PC BALL VALVE (1000 WOG)
-	VL-S-B3-N-1000-64	4"NPT SS316 3 PC BALL VALVE (1000 WOG)
-	VL-S-B3-SW-1000-04	1/4" S/W SS316 3 PC BALL VALVE (1000 WOG)
-	VL-S-B3-SW-1000-06	3/8" S/W SS316 3 PC BALL VALVE (1000 WOG)
-	VL-S-B3-SW-1000-08	1/2" S/W SS316 3 PC BALL VALVE (1000 WOG)
-	VL-S-B3-SW-1000-12	3/4" S/W SS316 3 PC BALL VALVE (1000 WOG)
-	VL-S-B3-SW-1000-16	1" S/W SS316 3 PC BALL VALVE (1000 WOG)
-	VL-S-B3-SW-1000-20	1 1/4" S/W SS316 3 PC BALL VALVE (1000 WOG)
-	VL-S-B3-SW-1000-24	1 1/2" S/W SS316 3 PC BALL VALVE (1000 WOG)
-	VL-S-B3-SW-1000-32	2" S/W SS316 3 PC BALL VALVE (1000 WOG)
-	VL-S-B3-SW-1000-40	2 1/2" S/W SS316 3 PC BALL VALVE (1000 WOG)
-	VL-S-B3-SW-1000-48	3" S/W SS316 3 PC BALL VALVE (1000 WOG)
-	VL-S-B3-SW-1000-64	4" S/W SS316 3 PC BALL VALVE (1000 WOG)

### 3 PC FULL BORE 1000PSI STAINLESS STEEL BUTT WELD END BALL VALVE

#### Feature:

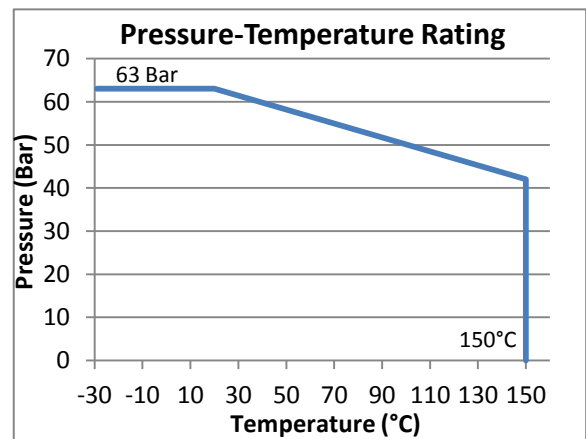
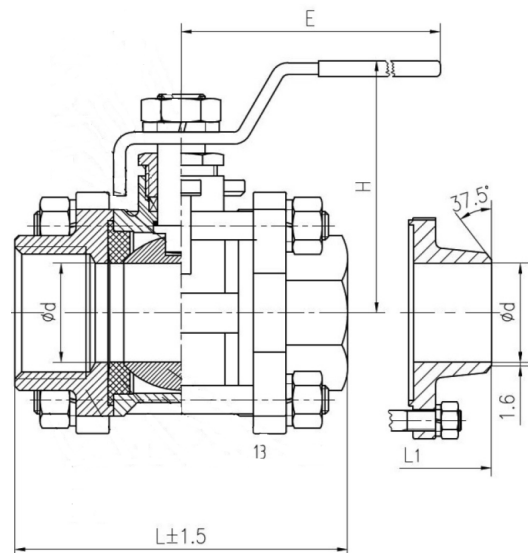
- 3 PC Body
- Full Bore, Quarter turn operation
- Size: 1/4" – 4" (DN6-100)
- Working Pressure: 1000 PSI
- Butt Welding End
- Applicable Medium: General oil, Gas & Water applications
- Blow-out Proof Stem Design
- Temperature Range: -29°C to 150°C



#### Material List:

No.	Part Name	Material
1	Body	SS316, CF8M
2	Cap	SS316
3	Ball	SS316
4	Seal	PTFE
5	Bolt	SS304
6	Gasket	SS301
7	Stem Nut	SS304
8	Stem Seal	PTFE
9	Stem	SS316
10	Packing	PTFE
11	Packing Gland	SS304
12	Handle	SS304
13	Spring Washer	SS301
14	Stem Nut	SS304

Addison **Flu|ds**





**Dimension List for Butt Weld End Valve 1000 PSI:**

NPS	Connection	Impa Code	Part No	d	L	H	W	PCD	Weight (kg)
3/8"	BW	-	VL-S-B3-BW-1000-06	12.5	66	45	-	-	-
1/2"	BW	-	VL-S-B3-BW-1000-08	15	74	50	26	33	0.57
3/4"	BW	-	VL-S-B3-BW-1000-12	20	79	60	30.5	39.5	0.80
1"	BW	-	VL-S-B3-BW-1000-16	25	88	65	36	43.5	1.07
1 1/4"	BW	-	VL-S-B3-BW-1000-20	32	108	85	48	55.5	1.81
1 1/2"	BW	-	VL-S-B3-BW-1000-24	38	119	85	54	60	2.30
2"	BW	-	VL-S-B3-BW-1000-32	49	143	95	68	75	3.54
2 1/2"	BW	-	VL-S-B3-BW-1000-40	65	180	115	86	94	-
3"	BW	-	VL-S-B3-BW-1000-48	78	209	130	100	100	-
4"	BW	-	VL-S-B3-BW-1000-64	98	260	157	121	123	-

**Part Number Reference:**

Impa Code	Part No	Description
-	VL-S-B3-BW-1000-06	3/8" B/W SCH80S SS316 3 PC BALL VALVE (1000 WOG)
-	VL-S-B3-BW-1000-08	1/2" B/W SCH80S SS316 3 PC BALL VALVE (1000 WOG)
-	VL-S-B3-BW-1000-12	3/4" B/W SCH80S SS316 3 PC BALL VALVE (1000 WOG)
-	VL-S-B3-BW-1000-16	1" B/W SCH80S SS316 3 PC BALL VALVE (1000 WOG)
-	VL-S-B3-BW-1000-20	1 1/4" B/W SCH80S SS316 3 PC BALL VALVE (1000 WOG)
-	VL-S-B3-BW-1000-24	1 1/2" B/W SCH80S SS316 3 PC BALL VALVE (1000 WOG)
-	VL-S-B3-BW-1000-32	2" B/W SCH80S SS316 3 PC BALL VALVE (1000 WOG)
-	VL-S-B3-BW-1000-40	2 1/2" B/W SCH80S SS316 3 PC BALL VALVE (1000 WOG)
-	VL-S-B3-BW-1000-48	3" B/W SCH80S SS316 3 PC BALL VALVE (1000 WOG)
-	VL-S-B3-BW-1000-64	4" B/W SCH80S SS316 3 PC BALL VALVE (1000 WOG)

### LOW PRESSURE 1000 PSI STAINLESS STEEL 3 WAY BALL VALVE L- PORT

#### Feature:

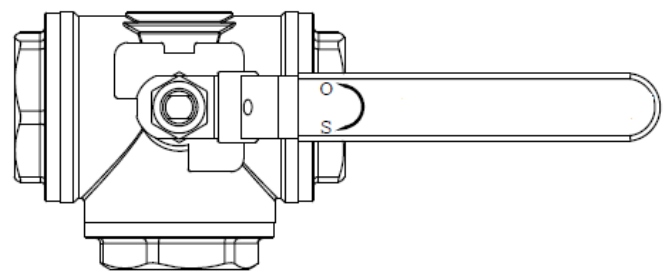
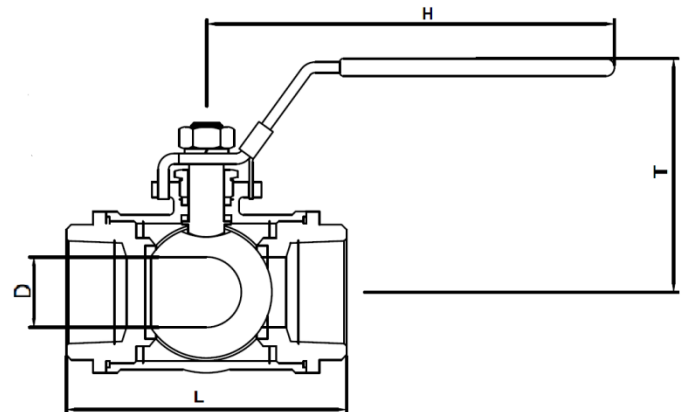
- Female 3 Way Ball valve, L-Port Design
- Size: 1/4" - 2" (DN8 - 50)
- Working Pressure: 1000 PSI
- Threaded End:
- BSPP, NPT
- Applicable Medium: General oil, Gas & Water applications
- Blow-out Proof Stem Design
- Temperature Range: -29°C to 150°C



Addison Fluids

#### Material List:

No.	Part Name	Material
1	Bonnet	SS316, CF8M
2	Seat	PTFE
3	Gasket	PTFE
4	Body	SS316, CF8M
5	Ball	SS316
6	Thrust Gasket	PTFE
7	Stem	SS316
8	Gland	SS304
9	Lever	SS304
10	Washer	SS304
11	Nut	SS304



LEFT

RIGHT



**Dimension List:**

NPS	Connection	Impa Code	Part No	D	L	H	T	Weight (kg)
1/4"	BSPP	-	VL-S-BL-G-1000-04	6	65.5	100	51	0.58
3/8"	BSPP	-	VL-S-BL-G-1000-06	6	65.5	100	51	0.55
1/2"	BSPP	-	VL-S-BL-G-1000-08	10	75.5	100	57	0.52
3/4"	BSPP	-	VL-S-BL-G-1000-12	15	82.5	108	62	0.71
1"	BSPP	-	VL-S-BL-G-1000-16	20	88	140	72	0.98
1 1/4"	BSPP	-	VL-S-BL-G-1000-20	25	105	152	88	2.18
1 1/2"	BSPP	-	VL-S-BL-G-1000-24	32	135	166	100	3.17
2"	BSPP	-	VL-S-BL-G-1000-32	39	149	170	102	4.38
1/4"	NPT	-	VL-S-BL-N-1000-04	6	65.5	100	51	0.58
3/8"	NPT	-	VL-S-BL-N-1000-06	6	65.5	100	51	0.55
1/2"	NPT	-	VL-S-BL-N-1000-08	10	75.5	100	57	0.52
3/4"	NPT	-	VL-S-BL-N-1000-12	15	82.5	108	62	0.71
1"	NPT	-	VL-S-BL-N-1000-16	20	88	140	72	0.98
1 1/4"	NPT	-	VL-S-BL-N-1000-20	25	105	152	88	2.18
1 1/2"	NPT	-	VL-S-BL-N-1000-24	32	135	166	100	3.17
2"	NPT	-	VL-S-BL-N-1000-32	39	149	170	102	4.38

**Part Number Reference:**

Impa Code	Part No	Description
-	VL-S-BL-G-1000-04	1/4"BSPP SS316 3 WAY BALL VALVE,L PORT (1000 PSI)
-	VL-S-BL-G-1000-06	3/8"BSPP SS316 3 WAY BALL VALVE,L PORT (1000 PSI)
-	VL-S-BL-G-1000-08	1/2"BSPP SS316 3 WAY BALL VALVE,L PORT (1000 PSI)
-	VL-S-BL-G-1000-12	3/4"BSPP SS316 3 WAY BALL VALVE,L PORT (1000 PSI)
-	VL-S-BL-G-1000-16	1"BSPP SS316 3 WAY BALL VALVE,L PORT (1000 PSI)
-	VL-S-BL-G-1000-20	1 1/4"BSPP SS316 3 WAY BALL VALVE,L PORT (1000 PSI)
-	VL-S-BL-G-1000-24	1 1/2"BSPP SS316 3 WAY BALL VALVE,L PORT (1000 PSI)
-	VL-S-BL-G-1000-32	2"BSPP SS316 3 WAY BALL VALVE,L PORT (1000 PSI)
-	VL-S-BL-N-1000-04	1/4"NPT SS316 3 WAY BALL VALVE,L PORT (1000 PSI)
-	VL-S-BL-N-1000-06	3/8"NPT SS316 3 WAY BALL VALVE,L PORT (1000 PSI)
-	VL-S-BL-N-1000-08	1/2"NPT SS316 3 WAY BALL VALVE,L PORT (1000 PSI)
-	VL-S-BL-N-1000-12	3/4"NPT SS316 3 WAY BALL VALVE,L PORT (1000 PSI)
-	VL-S-BL-N-1000-16	1"NPT SS316 3 WAY BALL VALVE,L PORT (1000 PSI)
-	VL-S-BL-N-1000-20	1 1/4"NPT SS316 3 WAY BALL VALVE,L PORT (1000 PSI)
-	VL-S-BL-N-1000-24	1 1/2"NPT SS316 3 WAY BALL VALVE,L PORT (1000 PSI)
-	VL-S-BL-N-1000-32	2"NPT SS316 3 WAY BALL VALVE,L PORT (1000 PSI)

### LOW PRESSURE 1000 PSI STAINLESS STEEL 3 WAY BALL VALVE T-PORT

**Feature:**

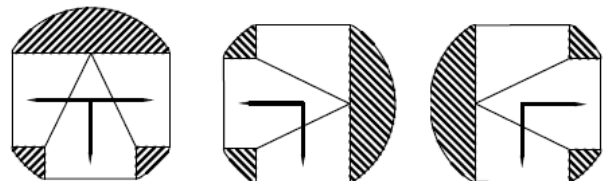
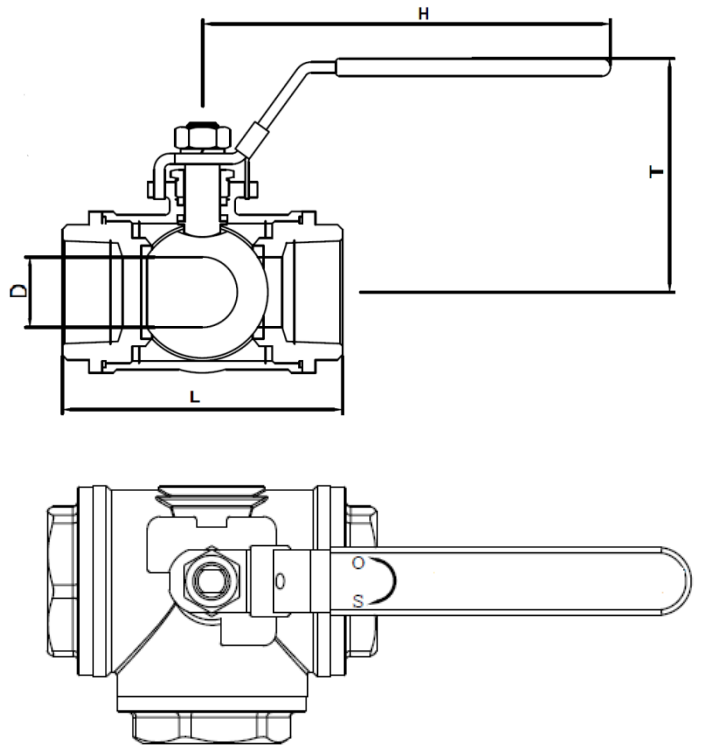
- Female 3 Way Ball valve, T-Port Design
- Size: 1/4" - 2" (DN8 - 50)
- Working Pressure: 1000 PSI
- Threaded End:
- BSPP, NPT
- Applicable Medium: General oil, Gas & Water applications
- Blow-out Proof Stem Design
- Temperature Range: -29°C to 150°C



Addison **Flu!ds**

**Material List:**

No.	Part Name	Material
1	Bonnet	SS316, CF8M
2	Seat	PTFE
3	Gasket	PTFE
4	Body	SS316, CF8M
5	Ball	SS316
6	Thrust Gasket	PTFE
7	Stem	SS316
8	Gland	SS304
9	Lever	SS304
10	Washer	SS304
11	Nut	SS304



**Dimension List:**

NPS	Connection	Impa Code	Part No	D	L	H	T	Weight (kg)
1/4"	BSPP	-	VL-S-BT-G-1000-04	6	65.5	100	51	0.58
3/8"	BSPP	-	VL-S-BT-G-1000-06	6	65.5	100	51	0.55
1/2"	BSPP	-	VL-S-BT-G-1000-08	10	75.5	100	57	0.52
3/4"	BSPP	-	VL-S-BT-G-1000-12	15	82.5	108	62	0.71
1"	BSPP	-	VL-S-BT-G-1000-16	20	88	140	72	0.98
1 1/4"	BSPP	-	VL-S-BT-G-1000-20	25	105	152	88	2.18
1 1/2"	BSPP	-	VL-S-BT-G-1000-24	32	135	166	100	3.17
2"	BSPP	-	VL-S-BT-G-1000-32	39	149	170	102	4.38
1/4"	NPT	-	VL-S-BT-N-1000-04	6	65.5	100	51	0.58
3/8"	NPT	-	VL-S-BT-N-1000-06	6	65.5	100	51	0.55
1/2"	NPT	-	VL-S-BT-N-1000-08	10	75.5	100	57	0.52
3/4"	NPT	-	VL-S-BT-N-1000-12	15	82.5	108	62	0.71
1"	NPT	-	VL-S-BT-N-1000-16	20	88	140	72	0.98
1 1/4"	NPT	-	VL-S-BT-N-1000-20	25	105	152	88	2.18
1 1/2"	NPT	-	VL-S-BT-N-1000-24	32	135	166	100	3.17
2"	NPT	-	VL-S-BT-N-1000-32	39	149	170	102	4.38

**Part Number Reference:**

Impa Code	Part No	Description
-	VL-S-BT-G-1000-04	1/4"BSPP SS316 3 WAY BALL VALVE,T PORT (1000 PSI)
-	VL-S-BT-G-1000-06	3/8"BSPP SS316 3 WAY BALL VALVE,T PORT (1000 PSI)
-	VL-S-BT-G-1000-08	1/2"BSPP SS316 3 WAY BALL VALVE,T PORT (1000 PSI)
-	VL-S-BT-G-1000-12	3/4"BSPP SS316 3 WAY BALL VALVE,T PORT (1000 PSI)
-	VL-S-BT-G-1000-16	1"BSPP SS316 3 WAY BALL VALVE,T PORT (1000 PSI)
-	VL-S-BT-G-1000-20	1 1/4"BSPP SS316 3 WAY BALL VALVE,T PORT (1000 PSI)
-	VL-S-BT-G-1000-24	1 1/2"BSPP SS316 3 WAY BALL VALVE,T PORT (1000 PSI)
-	VL-S-BT-G-1000-32	2"BSPP SS316 3 WAY BALL VALVE,T PORT (1000 PSI)
-	VL-S-BT-N-1000-04	1/4"NPT SS316 3 WAY BALL VALVE,T PORT (1000 PSI)
-	VL-S-BT-N-1000-06	3/8"NPT SS316 3 WAY BALL VALVE,T PORT (1000 PSI)
-	VL-S-BT-N-1000-08	1/2"NPT SS316 3 WAY BALL VALVE,T PORT (1000 PSI)
-	VL-S-BT-N-1000-12	3/4"NPT SS316 3 WAY BALL VALVE,T PORT (1000 PSI)
-	VL-S-BT-N-1000-16	1"NPT SS316 3 WAY BALL VALVE,T PORT (1000 PSI)
-	VL-S-BT-N-1000-20	1 1/4"NPT SS316 3 WAY BALL VALVE,T PORT (1000 PSI)
-	VL-S-BT-N-1000-24	1 1/2"NPT SS316 3 WAY BALL VALVE,T PORT (1000 PSI)
-	VL-S-BT-N-1000-32	2"NPT SS316 3 WAY BALL VALVE,T PORT (1000 PSI)

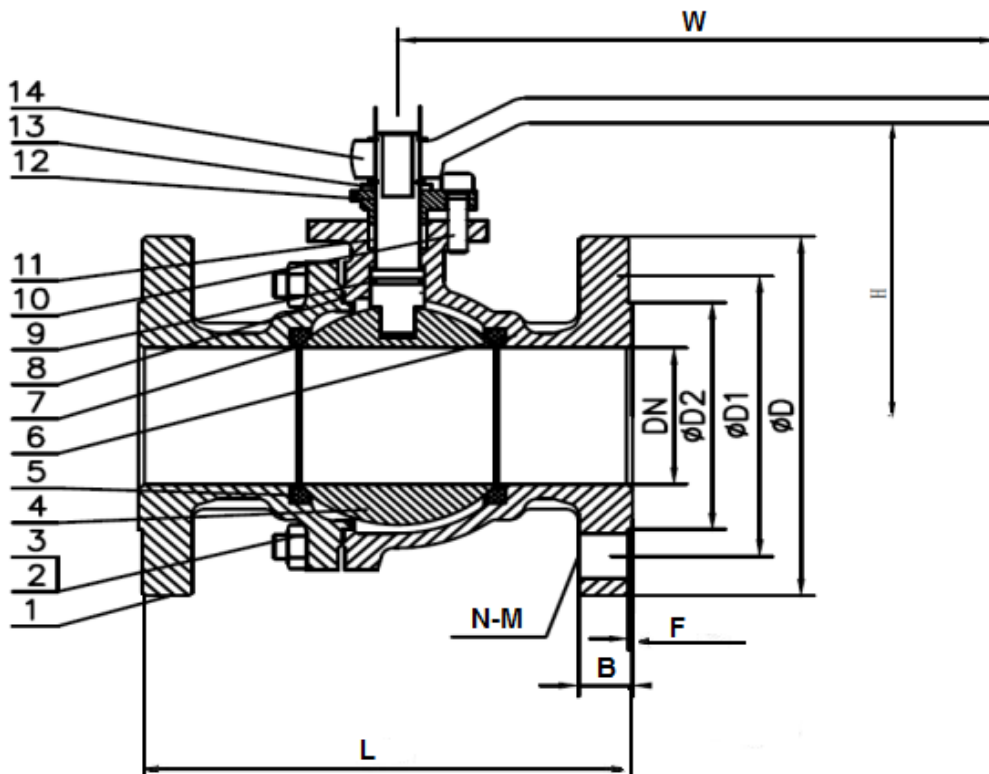
## ANSI 150# STAINLESS STEEL 2-PC FLANGE BALL VALVE

### Features:

- Full Bore
- ANSI 150# Flange connection
- Size: 1/2" to 6" (DN15-150)
- Working Pressure: 150#
- Valve Body Material: Stainless Steel SS316
- Fire-Safe Design According to API 607
- Applicable Medium: General oil, Gas & Water applications
- Blow-out Proof Stem Design
- Temperature Range: -29°C to 150°C



Addison **Flu**ids



### Technical Specifications

1. Basic design and manufacture according to ANSI B16.34
2. Face-to-face dimensions complies with GB/T12221
3. Flange ends complied with GB/T9113.1
4. Inspection and tested according to API598

Main Technical Parameter			
Normal pressure	1.6	MPa	
Test pressure	Shell test pressure		2.4
	Tightness test		1.8
	Gas-Tightness test	0.6	
Max working temperature	-29 to 150	°C	
Applicable Medium: General oil, gas & water			

**Material List:**

No.	Part Name	Material	No.	Part Name	Material
1	Left Body	SS316 , CF8M	8	Gasket	PTFE
2	Stud Bolt	SS304	9	O-Ring	PTFE
3	Nut	SS304	10	Hexagon Screw	SS304
4	Ball	SS316	11	Packing	PTFE
5	Seat	PTFE	12	Bonnet	SS316
6	Body	SS316, CF8M	13	Stop Block	SS304
7	Stem	SS316	14	Hand	SS201

**Dimension List:**

NPS	Connection	Impa Code	Part No	DN	D	D1	D2	B	L	H	W	N- M	F	Weight (kg)
1/2"	Flange-end	-	VL-S-B2-F-150-08	15	89	60.5	35	11.2	108	73	130	4-16	1.6	-
3/4"	Flange-end	-	VL-S-B2-F-150-12	20	98	70	43	11.2	117	76	130	4-16	1.6	1.95
1"	Flange-end	-	VL-S-B2-F-150-16	25	108	79	50	12.7	127	86	160	4-16	1.6	2.90
1 1/4"	Flange-end	-	VL-S-B2-F-150-20	32	117	89	64	12.7	140	91	160	4-16	1.6	3.33
1 1/2"	Flange-end	-	VL-S-B2-F-150-24	38	127	98.6	73	14.3	165	119	200	4-16	1.6	5.22
2"	Flange-end	-	VL-S-B2-F-150-32	50	152	120.7	92	19	178	127	200	4-19	1.6	7.86
2 1/2"	Flange-end	-	VL-S-B2-F-150-40	65	178	139.7	105	22	190	136	200	4-18	1.6	10.38
3"	Flange-end	-	VL-S-B2-F-150-48	78	190	152.4	127	23.9	203	164	325	8-18	1.6	15.55
4"	Flange-end	-	VL-S-B2-F-150-64	100	228	190.5	157	23.9	229	218	325	8-18	1.6	24.00
5"	Flange-end	-	VL-S-B2-F-150-80	125	254	216	186	23.9	356	248	500	8-22	1.6	-
6"	Flange-end	-	VL-S-B2-F-150-96	150	279	241	216	25	394	260	800	8-22	1.6	-

**Part Number Reference:**

Impa Code	Part No	Description
-	VL-S-B2-F-150-08	1/2" 150# SS316 FLANGE END BALL VALVE WITH ISO MOUNTING PAD, FIRE SAFE DESIGN
-	VL-S-B2-F-150-12	3/4" 150# SS316 FLANGE END BALL VALVE WITH ISO MOUNTING PAD, FIRE SAFE DESIGN
-	VL-S-B2-F-150-16	1" 150# SS316 FLANGE END BALL VALVE WITH ISO MOUNTING PAD, FIRE SAFE DESIGN
-	VL-S-B2-F-150-20	1 1/4" 150# SS316 FLANGE END BALL VALVE WITH ISO MOUNTING PAD, FIRE SAFE DESIGN
-	VL-S-B2-F-150-24	1 1/2" 150# SS316 FLANGE END BALL VALVE WITH ISO MOUNTING PAD, FIRE SAFE DESIGN
-	VL-S-B2-F-150-32	2" 150# SS316 FLANGE END BALL VALVE WITH ISO MOUNTING PAD, FIRE SAFE DESIGN
-	VL-S-B2-F-150-40	2 1/2" 150# SS316 FLANGE END BALL VALVE WITH ISO MOUNTING PAD, FIRE SAFE DESIGN
-	VL-S-B2-F-150-48	3" 150# SS316 FLANGE END BALL VALVE WITH ISO MOUNTING PAD, FIRE SAFE DESIGN
-	VL-S-B2-F-150-64	4" 150# SS316 FLANGE END BALL VALVE WITH ISO MOUNTING PAD, FIRE SAFE DESIGN
-	VL-S-B2-F-150-80	5" 150# SS316 FLANGE END BALL VALVE WITH ISO MOUNTING PAD, FIRE SAFE DESIGN
-	VL-S-B2-F-150-96	6" 150# SS316 FLANGE END BALL VALVE WITH ISO MOUNTING PAD, FIRE SAFE DESIGN



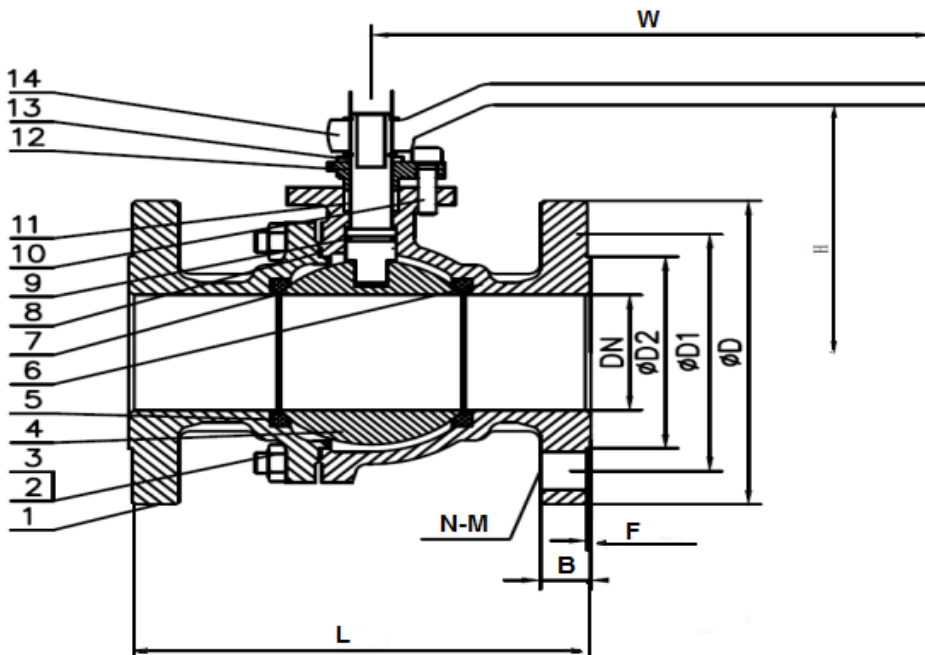
### ANSI 300# STAINLESS STEEL 2-PC FLANGE BALL VALVE

#### Features:

- Full Bore
- ANSI 300# Flange connection
- Size: 1/2" to 6" (DN15-150)
- Working Pressure: 300#
- Valve Body Material: Stainless Steel SS316
- Fire-Safe Design According to API 607
- Applicable Medium: General oil, Gas & Water applications
- Blow-out Proof Stem Design
- Temperature Range: -29°C to 150°C



Addison **Flu'ids**



#### Technical Specifications

1. Basic design and manufacture according to API 6D
2. Face-to-face dimensions: ASME B16.10.
3. Flange dimension: ANSI B16.5.
4. Inspection and tested according to API598

Main Technical Parameter			
Normal pressure		4.0	MPa
Test pressure	Shell test pressure	6.0	
	Tightness test	4.4	
	Gas-Tightness test	0.6	
Max working temperature		-29 to 150	°C
Applicable Medium: General oil, gas & water			

**Material List:**

No.	Part Name	Material	No.	Part Name	Material
1	Left Body	SS316, CF8M	8	Gasket	PTFE
2	Stud Bolt	SS304	9	O-Ring	PTFE
3	Nut	SS304	10	Hexagon Screw	SS304
4	Ball	SS316	11	Packing	PTFE
5	Seat	PTFE	12	Bonnet	SS316
6	Body	SS316, CF8M	13	Stop Block	SS304
7	Stem	SS316	14	Hand	SS201

**Dimension List:**

NPS	Connection	Impa Code	Part No	DN	D	D1	D2	B	L	H	W	N- Z	F	Weight (kg)
1/2"	Flange-end	-	VL-S-B2-F-300-08	15	95	67	35	14	140	73	155	4-14	2	-
3/4"	Flange-end	-	VL-S-B2-F-300-12	20	117	83	43	16	152	76	160	4-16	2	-
1"	Flange-end	-	VL-S-B2-F-300-16	25	124	89	51	16	165	86	180	4-16	2	-
1 1/4"	Flange-end	-	VL-S-B2-F-300-20	32	133	99	64	16	178	91	180	4-16	2	-
1 1/2"	Flange-end	-	VL-S-B2-F-300-24	38	155	114	73	16	190	119	200	8-16	3	-
2"	Flange-end	-	VL-S-B2-F-300-32	50	165	127	92	18	216	127	350	4-18	3	-
2 1/2"	Flange-end	-	VL-S-B2-F-300-40	65	190	150	105	18	241	136	400	8-19	3	-
3"	Flange-end	-	VL-S-B2-F-300-48	78	210	168	127	20	283	164	500	8-18	3	31.00
4"	Flange-end	-	VL-S-B2-F-300-64	100	254	200	157	20	305	218	500	8-19	3	43.00
6"	Flange-end	-	VL-S-B2-F-300-96	150	317	235	216	24	403	260	600	12-19	3	-

**Part Number Reference:**

<b>Impa Code</b>	<b>Part No</b>	<b>Description</b>
-	VL-S-B2-F-300-12	3/4" 300# SS316 FLANGE END BALL VALVE WITH ISO MOUNTING PAD, FIRE SAFE DESIGN
-	VL-S-B2-F-300-16	1" 300# SS316 FLANGE END BALL VALVE WITH ISO MOUNTING PAD, FIRE SAFE DESIGN
-	VL-S-B2-F-300-20	1 1/4" 300# SS316 FLANGE END BALL VALVE WITH ISO MOUNTING PAD, FIRE SAFE DESIGN
-	VL-S-B2-F-1300-24	1 1/2" 300# SS316 FLANGE END BALL VALVE WITH ISO MOUNTING PAD, FIRE SAFE DESIGN
-	VL-S-B2-F-300-32	2" 300# SS316 FLANGE END BALL VALVE WITH ISO MOUNTING PAD, FIRE SAFE DESIGN
-	VL-S-B2-F-300-40	2 1/2" 300# SS316 FLANGE END BALL VALVE WITH ISO MOUNTING PAD, FIRE SAFE DESIGN
-	VL-S-B2-F-300-48	3" 300# SS316 FLANGE END BALL VALVE WITH ISO MOUNTING PAD, FIRE SAFE DESIGN
-	VL-S-B2-F-300-64	4" 300# SS316 FLANGE END BALL VALVE WITH ISO MOUNTING PAD, FIRE SAFE DESIGN
-	VL-S-B2-F-300-96	6" 300# SS316 FLANGE END BALL VALVE WITH ISO MOUNTING PAD, FIRE SAFE DESIGN

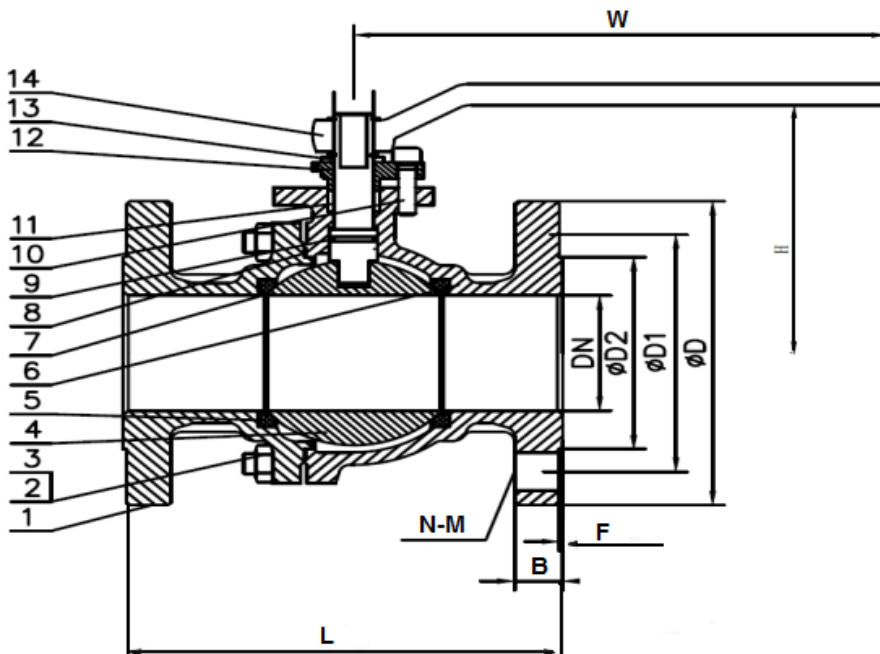
### JIS 10K STAINLESS STEEL 2-PC FLANGE BALL VALVE

#### Features:

- Full Bore
- JIS 10K Flange connection
- Size: 1/2" to 6" (DN15-150)
- Working Pressure: 10kg/cm<sup>2</sup>
- Valve Body Material: Stainless Steel SS316
- Fire-Safe Design According to API 607
- Applicable Medium: General oil, Gas & Water applications
- Blow-out Proof Stem Design
- Temperature Range: -29°C to 150°C



Addison **Flu'ids**



#### Technical Specifications

1. Basic design and manufacture according to JIS B2071
2. Face-to-face dimensions complied with JIS B2002
3. Flange ends complied with JIS B2220
4. Inspection and tested according to JIS B2003

Main Technical Parameter		
Normal pressure	10	K
Test pressure	Shell test pressure	3.0
	Tightness test	2.2
	Gas-Tightness test	0.6
Max working temperature	-29 ~ 150	°C
Applicable Medium: General oil, gas & water		

**Material List:**

No.	Part Name	Material	No.	Part Name	Material
1	Left Body	SS316, CF8M	8	Gasket	PTFE
2	Stud Bolt	SS304	9	O-Ring	PTFE
3	Nut	SS304	10	Hexagon Screw	SS304
4	Ball	SS 316	11	Packing	PTFE
5	Seat	PTFE	12	Bonnet	SS316
6	Body	SS316, CF8M	13	Stop Block	SS304
7	Stem	SS316	14	Hand	SS201

**Dimension List:**

NPS	Connection	Impa Code	Part No	DN	D	D1	D2	B	L	H	W	N- M	F	Weight (kg)
1/2"	Flange-end	-	VL-S-B2-F-10K-08	15	90	70	51	12	108	73	130	4-14	1.6	-
3/4"	Flange-end	-	VL-S-B2-F-10K-12	20	100	75	56	14	117	76	130	4-14	1.6	-
1"	Flange-end	-	VL-S-B2-F-10K-16	25	125	90	67	14	127	86	160	4-18	1.6	2.90
1 1/4"	Flange-end	-	VL-S-B2-F-10K-20	32	135	100	76	16	140	91	160	4-18	1.6	3.33
1 1/2"	Flange-end	-	VL-S-B2-F-10K-24	38	140	105	81	16	165	119	200	4-18	1.6	5.22
2"	Flange-end	-	VL-S-B2-F-10K-32	50	155	120	96	16	178	127	200	4-18	1.6	7.86
2 1/2"	Flange-end	-	VL-S-B2-F-10K-40	65	175	140	116	18	190	136	200	8-18	1.6	10.38
3"	Flange-end	-	VL-S-B2-F-10K-48	78	185	150	126	18	203	164	325	8-18	1.6	15.55
4"	Flange-end	-	VL-S-B2-F-10K-64	100	210	175	151	18	229	218	325	8-22	1.6	24.00
5"	Flange-end	-	VL-S-B2-F-10K-80	125	250	210	182	20	356	248	500	8-22	1.6	-
6"	Flange-end	-	VL-S-B2-F-10K-96	150	280	240	212	22	394	260	800	12-22	1.6	-

**Part Number Reference:**

Impa Code	Part No	Description
-	VL-S-B2-F-10K-08	3/4" JIS 10K SS316 FLANGE END BALL VALVE WITH ISO MOUNTING PAD, FIRE SAFE DESIGN
-	VL-S-B2-F-10K-12	1" JIS 10K SS316 FLANGE END BALL VALVE WITH ISO MOUNTING PAD, FIRE SAFE DESIGN
-	VL-S-B2-F-10K-16	1 1/4" JIS 10K SS316 FLANGE END BALL VALVE WITH ISO MOUNTING PAD, FIRE SAFE DESIGN
-	VL-S-B2-F-10K-20	1 1/2" JIS 10K SS316 FLANGE END BALL VALVE WITH ISO MOUNTING PAD, FIRE SAFE DESIGN
-	VL-S-B2-F-10K-24	2" JIS 10K SS316 FLANGE END BALL VALVE WITH ISO MOUNTING PAD, FIRE SAFE DESIGN
-	VL-S-B2-F-10K-32	2 1/2" JIS 10K SS316 FLANGE END BALL VALVE WITH ISO MOUNTING PAD, FIRE SAFE DESIGN
-	VL-S-B2-F-10K-40	3" JIS 10K SS316 FLANGE END BALL VALVE WITH ISO MOUNTING PAD, FIRE SAFE DESIGN
-	VL-S-B2-F-10K-48	4" 300# SS316 FLANGE END BALL VALVE WITH ISO MOUNTING PAD, FIRE SAFE DESIGN
-	VL-S-B2-F-10K-64	5" 300# SS316 FLANGE END BALL VALVE WITH ISO MOUNTING PAD, FIRE SAFE DESIGN
-	VL-S-B2-F-10K-80	6" 300# SS316 FLANGE END BALL VALVE WITH ISO MOUNTING PAD, FIRE SAFE DESIGN

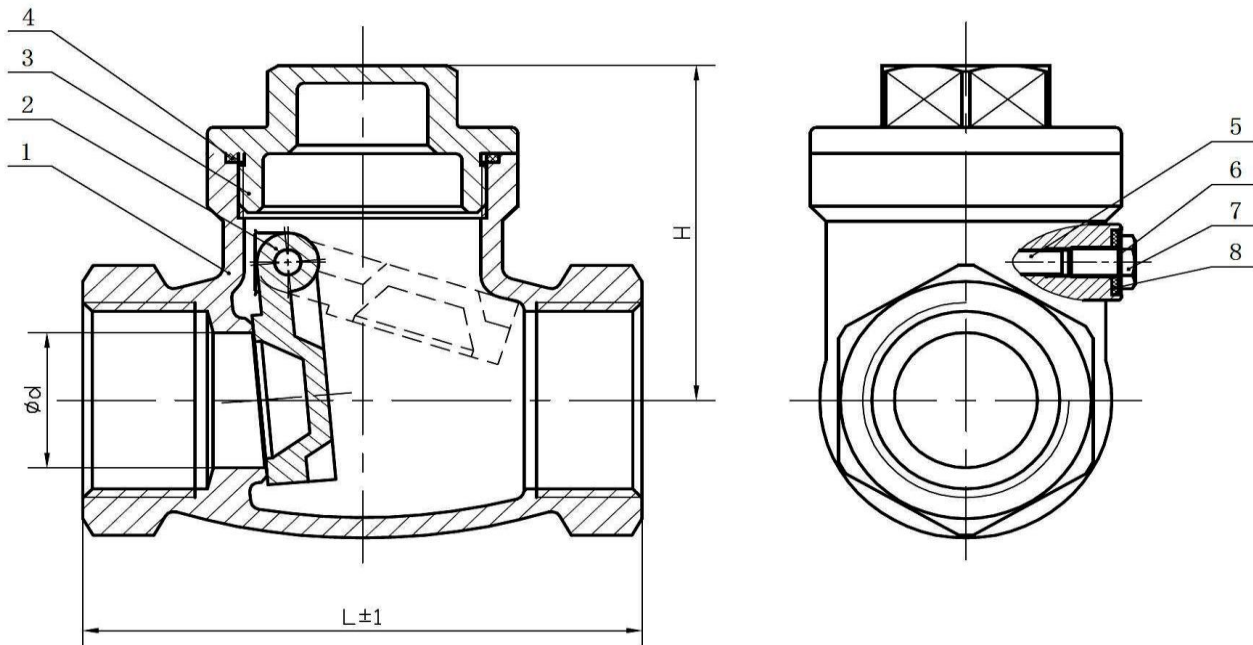
### LOW PRESSURE STAINLESS STEEL SWING CHECK VALVE

#### Features:

- Swing type
- Material: SS316, CF8M
- Size : 1/4" – 2"
- Working pressure: 200 PSI
- Threaded end: BSPT, NPT
- Applicable Medium: General oil, Gas & Water applications
- Temperature Range: -29°C to 150°C



Addison **Flu**ids



#### TECHNICAL SPECIFICATION

5. Basic design and manufacture according to ANSI B16.34
6. Rc, Rp & G threaded ends complies with BS 21/2779, DIN 259/2999, ISO 228-1 AS1722.1/1722.2 are upon request.
7. Inspection and tested according to API598

Main Technical Parameter			
Normal pressure		200	PSI
Test pressure	Shell test pressure	2.1	MPa
	Tightness test	1.6	
	Gas-Tightness test	0.6	
Max working temperature		-29 ~ 180	°C
Applicable medium: General oil, gas & water			

**Material List:**

No.	Part Name	Material
1	Body	SS316, CF8M
2	Disc	SS316, CF8M
3	Cap	SS316, CF8M
4	Body Gasket	PTFE
5	Pin	SS304
6	Plain washer	SS304
7	Bolt	SS304
8	Gasket	PTFE

**Dimension List:**

NPS	Connection	Impa Code	Part No	L	H	d	Weight (kg)
1/4"	BSPT	-	VL-S-SC-R-200-04	60	36.5	10	0.24
3/8"	BSPT	-	VL-S-SC-R-200-06	60	36.5	10	0.26
1/2"	BSPT	-	VL-S-SC-R-200-08	64	40	15	0.27
3/4"	BSPT	-	VL-S-SC-R-200-12	79	49.5	20	0.45
1"	BSPT	-	VL-S-SC-R-200-16	87	57	23	0.64
1 1/4"	BSPT	-	VL-S-SC-R-200-20	100	61.5	30	0.87
1 1/2"	BSPT	-	VL-S-SC-R-200-24	116	71	38	1.32
2"	BSPT	-	VL-S-SC-R-200-32	136	77	47	1.78
1/4"	NPT	-	VL-S-SC-N-200-04	0.24	0.24	0.24	0.24
3/8"	NPT	-	VL-S-SC-N-200-06	0.26	0.26	0.26	0.26
1/2"	NPT	-	VL-S-SC-N-200-08	0.27	0.27	0.27	0.27
3/4"	NPT	-	VL-S-SC-N-200-12	0.45	0.45	0.45	0.45
1"	NPT	-	VL-S-SC-N-200-16	0.64	0.64	0.64	0.64
1 1/4"	NPT	-	VL-S-SC-N-200-20	0.87	0.87	0.87	0.87
1 1/2"	NPT	-	VL-S-SC-N-200-24	1.32	1.32	1.32	1.32
2"	NPT	-	VL-S-SC-N-200-32	1.78	1.78	1.78	1.78



**Part Number Reference:**

Impa Code	Part No	Description
-	VL-S-SC-R-200-04	1/4"BSPT SS316 SWING CHECK VALVE (200 PSI)
-	VL-S-SC-R-200-06	3/8"BSPT SS316 SWING CHECK VALVE (200 PSI)
-	VL-S-SC-R-200-08	1/2"BSPT SS316 SWING CHECK VALVE (200 PSI)
-	VL-S-SC-R-200-12	3/4"BSPT SS316 SWING CHECK VALVE (200 PSI)
-	VL-S-SC-R-200-16	1"BSPT SS316 SWING CHECK VALVE (200 PSI)
-	VL-S-SC-R-200-20	1 1/4"BSPT SS316 SWING CHECK VALVE (200 PSI)
-	VL-S-SC-R-200-24	1 1/2"BSPT SS316 SWING CHECK VALVE (200 PSI)
-	VL-S-SC-R-200-32	2"BSPT SS316 SWING CHECK VALVE (200 PSI)
-	VL-S-SC-N-200-04	1/4"NPT SS316 SWING CHECK VALVE (200 PSI)
-	VL-S-SC-N-200-06	3/8"NPT SS316 SWING CHECK VALVE (200 PSI)
-	VL-S-SC-N-200-08	1/2"NPT SS316 SWING CHECK VALVE (200 PSI)
-	VL-S-SC-N-200-12	3/4"NPT SS316 SWING CHECK VALVE (200 PSI)
-	VL-S-SC-N-200-16	1"NPT SS316 SWING CHECK VALVE (200 PSI)
-	VL-S-SC-N-200-20	1 1/4"NPT SS316 SWING CHECK VALVE (200 PSI)
-	VL-S-SC-N-200-24	1 1/2"NPT SS316 SWING CHECK VALVE (200 PSI)
-	VL-S-SC-N-200-32	2"NPT SS316 SWING CHECK VALVE (200 PSI)

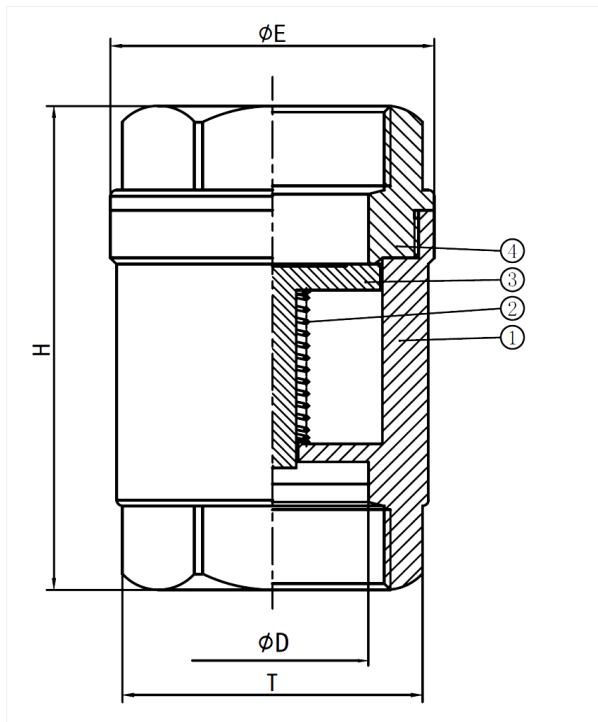
### LOW PRESSURE STAINLESS STEEL SPRING CHECK VALVE

#### Features:

- Spring type
- Material: SS316
- Size : 1/4" – 2"
- Working Pressure: 1000 PSI
- Threaded End: BSPP, NPT
- Cracking Pressure: 1 Bar
- Applicable Medium: General oil, Gas & Water applications
- Temperature Range: -29°C to 150°C



AddisOn Fluids



#### Material List:

No.	Part Name	Material
1	Body	SS316, CF8M
2	Spring	SS316
3	Disc	SS316, CF8M
4	Cap	SS316, CF8M

**Dimension List:**

NPS	Connection	Impa Code	Part No	D	H	E	T	Weight (kg)
1/2"	BSPP	-	VL-S-VC-G-1000-08	14	62	39	27	0.25
3/4"	BSPP	-	VL-S-VC-G-1000-12	19	69	43	32	0.36
1"	BSPP	-	VL-S-VC-G-1000-16	24	82	48	38	0.48
1 1/4"	BSPP	-	VL-S-VC-G-1000-20	30	93	58	47	0.85
1 1/2"	BSPP	-	VL-S-VC-G-1000-24	38	102	71	55	1.32
2"	BSPP	-	VL-S-VC-G-1000-32	48	116	81	68	1.88
3"	BSPP	-	VL-S-VC-G-1000-48	78	170	140	98	-
1/2"	NPT	-	VL-S-VC-N1000-08	14	62	39	27	0.25
3/4"	NPT	-	VL-S-VC-N-1000-12	19	69	43	32	0.36
1"	NPT	-	VL-S-VC-N-1000-16	24	82	48	38	0.48
1 1/4"	NPT	-	VL-S-VC-N-1000-20	30	93	58	47	0.85
1 1/2"	NPT	-	VL-S-VC-N-1000-24	38	102	71	55	1.32
2"	NPT	-	VL-S-VC-N-1000-32	48	116	81	68	1.88
3"	NPT	-	VL-S-VC-N-1000-48	78	170	140	98	-

**Part Number Reference:**

Impa Code	Part No	Description
-	VL-S-VC-G-1000-04	1/4"BSPP SS316 SPRING CHECK VALVE (1000 PSI,CRACKING PRES: 1 BAR,VERTICAL)
-	VL-S-VC-G-1000-06	3/8"BSPP SS316 SPRING CHECK VALVE (1000 PSI, CRACKING PRES: 1 BAR,VERTICAL)
-	VL-S-VC-G-1000-08	1/2"BSPP SS316 SPRING CHECK VALVE (1000 PSI, CRACKING PRES: 1 BAR,VERTICAL)
-	VL-S-VC-G-1000-12	3/4"BSPP SS316 SPRING CHECK VALVE (1000 PSI, CRACKING PRES: 1 BAR,VERTICAL)
-	VL-S-VC-G-1000-16	1"BSPP SS316 SPRING CHECK VALVE (1000 PSI,CRACKING PRES: 1 BAR,VERTICAL)
-	VL-S-VC-G-1000-20	1 1/4"BSPP SS316 SPRING CHECK VALVE (1000 PSI,CRACKING PRES: 1 BAR,VERTICAL)
-	VL-S-VC-G-1000-24	1 1/2"BSPP SS316 SPRING CHECK VALVE (1000 PSI,CRACKING PRES: 1 BAR,VERTICAL)
-	VL-S-VC-G-1000-32	2"BSPP SS316 SPRING CHECK VALVE (1000 PSI,CRACKING PRES: 1 BAR,VERTICAL)
-	VL-S-VC-N-1000-04	1/4"NPT SS316 SPRING CHECK VALVE (1000 PSI,CRACKING PRES: 1 BAR,VERTICAL)
-	VL-S-VC-N-1000-08	1/2"NPT SS316 SPRING CHECK VALVE (1000 PSI,CRACKING PRES: 1 BAR,VERTICAL)

-	VL-S-VC-N-1000-12	3/4"NPT SS316 SPRING CHECK VALVE (1000 PSI,CRACKING PRES: 1 BAR,VERTICAL)
-	VL-S-VC-N-1000-16	1"NPT SS316 SPRING CHECK VALVE (1000 PSI,CRACKING PRES: 1 BAR,VERTICAL)
-	VL-S-VC-N-1000-20	1 1/4"NPT SS316 SPRING CHECK VALVE (1000 PSI,CRACKING PRES: 1 BAR,VERTICAL)
-	VL-S-VC-N-1000-24	1 1/2"NPT SS316 SPRING CHECK VALVE (1000 PSI,CRACKING PRES: 1 BAR,VERTICAL)
-	VL-S-VC-N-1000-32	2"NPT SS316 SPRING CHECK VALVE (1000 PSI,CRACKING PRES: 1 BAR,VERTICAL)

### THREADED END BRASS STANDARD BALL VALVE 300 PSI

#### Feature:

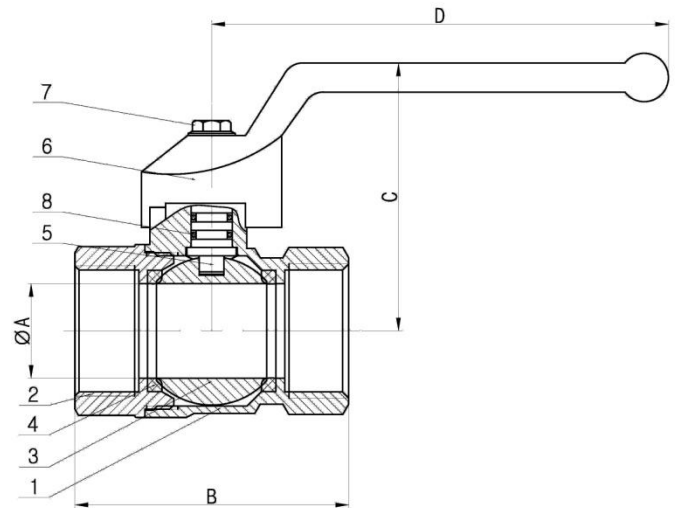
- Types available: Nickel plated & No Nickel plated
- Full bore, Quarter turn operation
- Size: 1/4" – 4" (DN8-100)
- Working Pressure: 300 PSI
- Threaded End: BSPP, NPT
- Applicable Medium: General oil, Gas & Water applications
- Blow-out Proof Stem Design
- Temperature Range: -29°C to 150°C



Addison **Flu!ds**

#### Material List:

No.	Part Name	Material
1	Body	Brass
2	Bonnet	Brass
3	Ball	Hard Chromed Brass
4	Seat	PTFE
5	Stem	Brass
6	Handle	Aluminium
7	Nut	Steel
8	O-Ring	NBR



**Dimension List for brass standard ball valve (With nickel plating):**

NPS	Connection	Impa Code	Part No	A	B	C	D	Weight (kg)
1/4"	BSPP	-	VL-B-B2-G-300-04-NI	8	39	40.0	86	0.08
3/8"	BSPP	75 24 01	VL-B-B2-G-300-06-NI	10	42	41.5	86	0.10
1/2"	BSPP	75 24 02	VL-B-B2-G-300-08-NI	14	46.4	45.5	86	0.11
3/4"	BSPP	75 24 03	VL-B-B2-G-300-12-NI	18	51	48.0	86	0.15
1"	BSPP	75 24 04	VL-B-B2-G-300-16-NI	24	64.5	60.5	95	0.35
1 1/4"	BSPP	75 24 05	VL-B-B2-G-300-20-NI	31	76	73.5	115	0.65
1 1/2"	BSPP	75 24 06	VL-B-B2-G-300-24-NI	39	85	78.5	115	0.83
2"	BSPP	75 24 07	VL-B-B2-G-300-32-NI	46	93	101.5	147	1.18
2 1/2"	BSPP	-	VL-B-B2-G-300-40-NI	58	119	113.0	185	2.12
3"	BSPP	-	VL-B-B2-G-300-48-NI	69	133	128.0	227	3.25
4"	BSPP	-	VL-B-B2-G-300-64-NI	85	167	138.0	227	5.52
1/4"	NPT	-	VL-B-B2-N-300-04-NI	8	39	40.0	86	0.08
3/8"	NPT	-	VL-B-B2-N-300-06-NI	10	42	41.5	86	0.10
1/2"	NPT	-	VL-B-B2-N-300-08-NI	14	46.4	45.5	86	0.11
3/4"	NPT	-	VL-B-B2-N-300-12-NI	18	51	48.0	86	0.15
1"	NPT	-	VL-B-B2-N-300-16-NI	24	64.5	60.5	95	0.35
1 1/4"	NPT	-	VL-B-B2-N-300-20-NI	31	76	73.5	115	0.65
1 1/2"	NPT	-	VL-B-B2-N-300-24-NI	39	85	78.5	115	0.83
2"	NPT	-	VL-B-B2-N-300-32-NI	46	93	101.5	147	1.18
2 1/2"	NPT	-	VL-B-B2-N-300-40-NI	58	119	113.0	185	2.12
3"	NPT	-	VL-B-B2-N-300-48-NI	69	133	128.0	227	3.25
4"	NPT	-	VL-B-B2-N-300-64-NI	85	167	138.0	227	5.52

**Dimension List for brass standard ball valve (Without nickel plating):**

NPS	Connection	Impa Code	Part No	A	B	C	D	Weight (kg)
1/4"	NPT	-	VL-B-B2-N-300-04	8	39	40.0	86	0.08
3/8"	NPT	-	VL-B-B2-N-300-06	10	42	41.5	86	0.10
1/2"	NPT	-	VL-B-B2-N-300-08	14	46.4	45.5	86	0.11
3/4"	NPT	-	VL-B-B2-N-300-12	18	51	48.0	86	0.15
1"	NPT	-	VL-B-B2-N-300-16	24	64.5	60.5	95	0.35
1 1/4"	NPT	-	VL-B-B2-N-300-20	31	76	73.5	115	0.65
1 1/2"	NPT	-	VL-B-B2-N-300-24	39	85	78.5	115	0.83
2"	NPT	-	VL-B-B2-N-300-32	46	93	101.5	147	1.18
2 1/2"	NPT	-	VL-B-B2-N-300-40	58	119	113.0	185	2.12
3"	NPT	-	VL-B-B2-N-300-48	69	133	128.0	227	3.25
4"	NPT	-	VL-B-B2-N-300-64	85	167	138.0	227	5.52

**Part Number Reference:**

Impa Code	Part No	Description
-	VL-B-B2-G-300-04-NI	1/4"BSPP BRASS BALL VALVE (300 PSI) NICKEL PLATED
75 24 01	VL-B-B2-G-300-06-NI	3/8"BSPP BRASS BALL VALVE (300 PSI) NICKEL PLATED
75 24 02	VL-B-B2-G-300-08-NI	1/2"BSPP BRASS BALL VALVE (300 PSI) NICKEL PLATED
75 24 03	VL-B-B2-G-300-12-NI	3/4"BSPP BRASS BALL VALVE (300 PSI) NICKEL PLATED
75 24 04	VL-B-B2-G-300-16-NI	1"BSPP BRASS BALL VALVE (300 PSI) NICKEL PLATED
75 24 05	VL-B-B2-G-300-20-NI	1 1/4"BSPP BRASS BALL VALVE (300 PSI) NICKEL PLATED
75 24 06	VL-B-B2-G-300-24-NI	1 1/2"BSPP BRASS BALL VALVE (300 PSI) NICKEL PLATED
75 24 07	VL-B-B2-G-300-32-NI	2"BSPP BRASS BALL VALVE (300 PSI) NICKEL PLATED
-	VL-B-B2-G-300-40-NI	2 1/2"BSPP BRASS BALL VALVE (300 PSI) NICKEL PLATED
-	VL-B-B2-G-300-48-NI	3"BSPP BRASS BALL VALVE (300 PSI) NICKEL PLATED
-	VL-B-B2-G-300-64-NI	4"BSPP BRASS BALL VALVE (300 PSI) NICKEL PLATED
-	VL-B-B2-N-300-04-NI	1/4"NPT BRASS BALL VALVE (300 PSI) NICKEL PLATED
-	VL-B-B2-N-300-06-NI	3/8"NPT BRASS BALL VALVE (300 PSI) NICKEL PLATED
-	VL-B-B2-N-300-08-NI	1/2"NPT BRASS BALL VALVE (300 PSI) NICKEL PLATED
-	VL-B-B2-N-300-12-NI	3/4"NPT BRASS BALL VALVE (300 PSI) NICKEL PLATED
-	VL-B-B2-N-300-16-NI	1"NPT BRASS BALL VALVE (300 PSI) NICKEL PLATED
-	VL-B-B2-N-300-20-NI	1 1/4"NPT BRASS BALL VALVE (300 PSI) NICKEL PLATED
-	VL-B-B2-N-300-24-NI	1 1/2"NPT BRASS BALL VALVE (300 PSI) NICKEL PLATED
-	VL-B-B2-N-300-32-NI	2"NPT BRASS BALL VALVE (300 PSI) NICKEL PLATED
-	VL-B-B2-N-300-40-NI	2 1/2"NPT BRASS BALL VALVE (300 PSI) NICKEL PLATED
-	VL-B-B2-N-300-48-NI	3"NPT BRASS BALL VALVE (300 PSI) NICKEL PLATED
-	VL-B-B2-N-300-64-NI	4"NPT BRASS BALL VALVE (300 PSI) NICKEL PLATED
-	VL-B-B2-N-300-04	1/4"NPT BRASS BALL VALVE (300 PSI), NO NICKEL PLATING
-	VL-B-B2-N-300-06	3/8"NPT BRASS BALL VALVE (300 PSI), NO NICKEL PLATING
-	VL-B-B2-N-300-08	1/2"NPT BRASS BALL VALVE (300 PSI), NO NICKEL PLATING
-	VL-B-B2-N-300-12	3/4"NPT BRASS BALL VALVE (300 PSI), NO NICKEL PLATING
-	VL-B-B2-N-300-16	1"NPT BRASS BALL VALVE (300 PSI), NO NICKEL PLATING
-	VL-B-B2-N-300-20	1 1/4"NPT BRASS BALL VALVE (300 PSI), NO NICKEL PLATING
-	VL-B-B2-N-300-24	1 1/2"NPT BRASS BALL VALVE (300 PSI), NO NICKEL PLATING
-	VL-B-B2-N-300-32	2"NPT BRASS BALL VALVE (300 PSI), NO NICKEL PLATING
-	VL-B-B2-N-300-40	2 1/2"NPT BRASS BALL VALVE (300 PSI), NO NICKEL PLATING
-	VL-B-B2-N-300-48	3"NPT BRASS BALL VALVE (300 PSI), NO NICKEL PLATING
-	VL-B-B2-N-300-64	4"NPT BRASS BALL VALVE (300 PSI), NO NICKEL PLATING

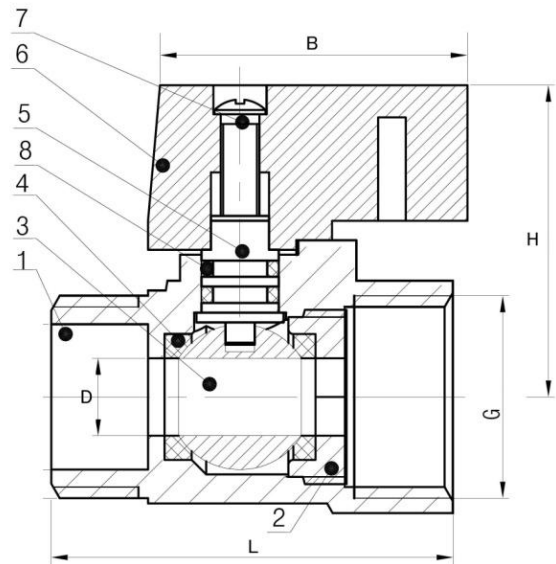
**THREADED END BRASS M x F MINI BALL VALVE 300 PSI**
**Feature:**

- Nickel plated
- Size: 1/4" – 3/4" (DN8 - 20)
- Working Pressure: 300 PSI
- Threaded End: BSPP
- Applicable Medium: General oil, Gas & Water applications
- Blow-out Proof Stem Design
- Temperature Range: -29°C to 150°C


**Material List:**

No.	Part Name	Material
1	Body	Brass
2	Cap	Brass
3	Seat	PTFE
4	Ball	Hard Chromed Brass
5	Stem	Brass
6	Handle	Aluminium
7	O-ring	NBR
8	Nut	Steel

AddisOn Fluids


**Dimension List:**

NPS	Connection	Impa Code	Part No	D	H	L	B	Weight (kg)
1/4"	BSPP	-	VL-B-BMF-G-300-04-NI	8	27	40	22	0.06
3/8"	BSPP	-	VL-B-BMF-G-300-06-NI	8	27	41	22	0.08
1/2"	BSPP	-	VL-B-BMF-G-300-08-NI	10	29	44	22	0.09
3/4"	BSPP	-	VL-B-BMF-G-300-12-NI	13	33	53	22	0.13

**Part Number Reference:**

Impa Code	Part No	Description
-	VL-B-BMF-G-300-04-NI	1/4" BSPP BRASS M x F MINI BALL VALVE
-	VL-B-BMF-G-300-06-NI	3/8" BSPP BRASS M x F MINI BALL VALVE
-	VL-B-BMF-G-300-08-NI	1/2" BSPP BRASS M x F MINI BALL VALVE
-	VL-B-BMF-G-300-12-NI	3/4" BSPP BRASS M x F MINI BALL VALVE



### STAINLESS STEEL Y-STRAINER SCREWED MODEL

#### Feature:

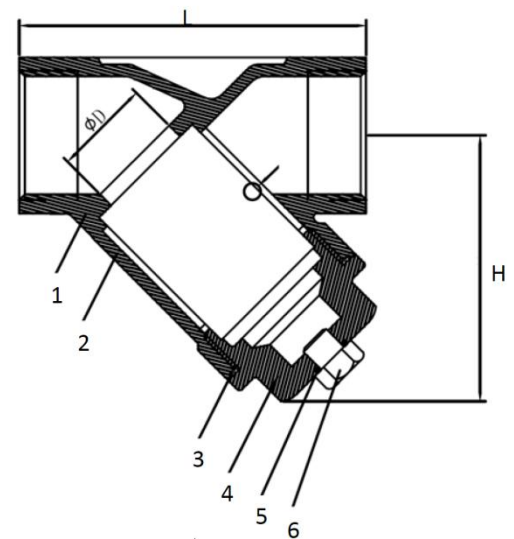
- Size: 1/2" – 4"
- Threaded End: BSPP, NPT
- Working Pressure: 800 PSI
- Temperature range: -20°C to 230°C
- Screen : 1.0mm (Mesh Size 40)
- Applicable Medium: General oil, Gas & Water applications
- Used to collect containment and particles



Addison Fluids

#### Material List:

No.	Part Name	Material
1	Body	SS316, CF8M
2	Filter	SS316
3	Gasket	PTFE
4	Cap	SS316, CF8M
5	Gasket	PTFE
6	Plug	SS316



#### Dimension List

NPS	Connection	Impa Code	Part No	D	L	H	Weight (kg)
1/4"	BSPP	-	VL-S-YS-G-800-04	9	65	35	-
3/8"	BSPP	-	VL-S-YS-G-800-06	9	65	35	-
1/2"	BSPP	-	VL-S-YS-G-800-08	14	61	43	0.19
3/4"	BSPP	-	VL-S-YS-G-800-12	18	80	50	0.38
1"	BSPP	-	VL-S-YS-G-800-16	22	84	63	0.55
1 1/4"	BSPP	-	VL-S-YS-G-800-20	28	99	70	0.68
1 1/2"	BSPP	-	VL-S-YS-G-800-24	38	108	82	0.94
2"	BSPP	-	VL-S-YS-G-800-32	48	131	94	1.60
2 1/2"	BSPP	-	VL-S-YS-G-800-40	70	175	115	2.70
3"	BSPP	-	VL-S-YS-G-800-48	80	190	135	4.10
4"	BSPP	-	VL-S-YS-G-800-64	110	240	152	7.20

1/4"	NPT	-	VL-S-YS-N-800-04	9	65	35	-
3/8"	NPT	-	VL-S-YS-N-800-06	9	65	35	-
1/2"	NPT	-	VL-S-YS-N-800-08	14	61	43	0.19
3/4"	NPT	-	VL-S-YS-N-800-12	18	80	50	0.38
1"	NPT	-	VL-S-YS-N-800-16	22	84	63	0.55
1 1/4"	NPT	-	VL-S-YS-N-800-20	28	99	70	0.68
1 1/2"	NPT	-	VL-S-YS-N-800-24	38	108	82	0.94
2"	NPT	-	VL-S-YS-N-800-32	48	131	94	1.60
2 1/2"	NPT	-	VL-S-YS-N-800-40	70	175	115	2.70
3"	NPT	-	VL-S-YS-N-800-48	80	190	135	4.10
4"	NPT	-	VL-S-YS-N-800-64	110	240	152	7.20

**Part Number Reference:**

Impa Code	Part No	Description
-	VL-S-YS-G-800-04	1/4"BSPP SS316 Y-STRAINER (800 PSI)
-	VL-S-YS-G-800-06	3/8"BSPP SS316 Y-STRAINER (800 PSI)
-	VL-S-YS-G-800-08	1/2"BSPP SS316 Y-STRAINER (800 PSI)
-	VL-S-YS-G-800-12	3/4"BSPP SS316 Y-STRAINER (800 PSI)
-	VL-S-YS-G-800-16	1"BSPP SS316 Y-STRAINER (800 PSI)
-	VL-S-YS-G-800-20	1 1/4"BSPP SS316 Y-STRAINER (800 PSI)
-	VL-S-YS-G-800-24	1 1/2"BSPP SS316 Y-STRAINER (800 PSI)
-	VL-S-YS-G-800-32	2"BSPP SS316 Y-STRAINER (800 PSI)
-	VL-S-YS-G-800-40	2 1/2"BSPP SS316 Y-STRAINER (800 PSI)
-	VL-S-YS-G-800-48	3"BSPP SS316 Y-STRAINER (800 PSI)
-	VL-S-YS-G-800-64	4"BSPP SS316 Y-STRAINER (800 PSI)
-	VL-S-YS-N-800-04	1/4"NPT SS316 Y-STRAINER (800 PSI)
-	VL-S-YS-N-800-06	3/8"NPT SS316 Y-STRAINER (800 PSI)
-	VL-S-YS-N-800-08	1/2"NPT SS316 Y-STRAINER (800 PSI)
-	VL-S-YS-N-800-12	3/4"NPT SS316 Y-STRAINER (800 PSI)
-	VL-S-YS-N-800-16	1"NPT SS316 Y-STRAINER (800 PSI)
-	VL-S-YS-N-800-20	1 1/4"NPT SS316 Y-STRAINER (800 PSI)
-	VL-S-YS-N-800-24	1 1/2"NPT SS316 Y-STRAINER (800 PSI)
-	VL-S-YS-N-800-32	2"NPT SS316 Y-STRAINER (800 PSI)
-	VL-S-YS-N-800-40	2 1/2"NPT SS316 Y-STRAINER (800 PSI)
-	VL-S-YS-N-800-48	3"NPT SS316 Y-STRAINER (800 PSI)
-	VL-S-YS-N-800-64	4"NPT SS316 Y-STRAINER (800 PSI)

### ANSI 150# STAINLESS STEEL FLANGE END Y-STRAINER

#### Feature:

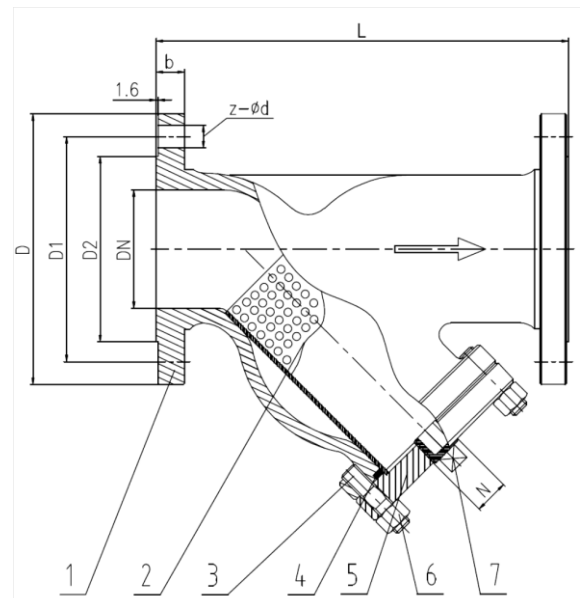
- Size: 1 1/2" – 4"
- ANSI 150# Flange connection
- Working Pressure: 150#
- Temperature range: -20°C to 230°C
- Screen : 1.0mm (Mesh Size 40)
- Applicable Medium: General oil, Gas & Water applications
- Used to collect containment and particles



Addison Fluids

#### Material List:

No.	Part Name	Material
1	Body	SS316, CF8M
2	Strainer Screen	SS316 1mm Mesh
3	Bolt	SS304
4	Gasket	PTFE
5	Bonnet	SS316, CF8M
6	Nut	SS304
7	Bolt	SS304



#### Technical Specifications

1. Basic design and manufacture according to ANSI B16.34.
2. Flange connection per ASME B16.5.
3. Inspection and tested according to API 598.

Main Technical Parameter			
Normal pressure		150	LB
Test pressure	Shell test pressure	/	MPa
	Tightness test	3.0	
	Gas-Tightness test	/	
Max working temperature		-20 to 230	°C
Applicable Medium: General oil, gas & water			

**Dimension List**

NPS	Connection	Impa Code	Part No	D	D1	D2	L	b	N	Weight (kg)
1 1/2"	Flange-End	-	VL-S-YS-F-150-24	117	89	64	200	13	1/2"	4.60
2"	Flange-End	-	VL-S-YS-F-150-32	152	120.5	92	220	16	1/2"	6.30
2 1/2"	Flange-End	-	VL-S-YS-F-150-40	178	139.5	105	250	18	1/2"	10.50
3"	Flange-End	-	VL-S-YS-F-150-48	190	152.5	127	280	19	3/4"	14.50
4"	Flange-End	-	VL-S-YS-F-150-64	229	190.5	157	300	24	3/4"	24.00

**Part Number Reference:**

Impa Code	Part No	Description
-	VL-S-YS-F-150-24	1 1/2" 150# SS316 FLANGE END Y-STRAINER
-	VL-S-YS-F-150-32	2" 150# SS316 FLANGE END Y-STRAINER
-	VL-S-YS-F-150-40	2 1/2" 150# SS316 FLANGE END Y-STRAINER
-	VL-S-YS-F-150-48	3" 150# SS316 FLANGE END Y-STRAINER
-	VL-S-YS-F-150-64	4" 150# SS316 FLANGE END Y-STRAINER

### JIS 10K STAINLESS STEEL FLANGE END Y-STRAINER

#### Feature:

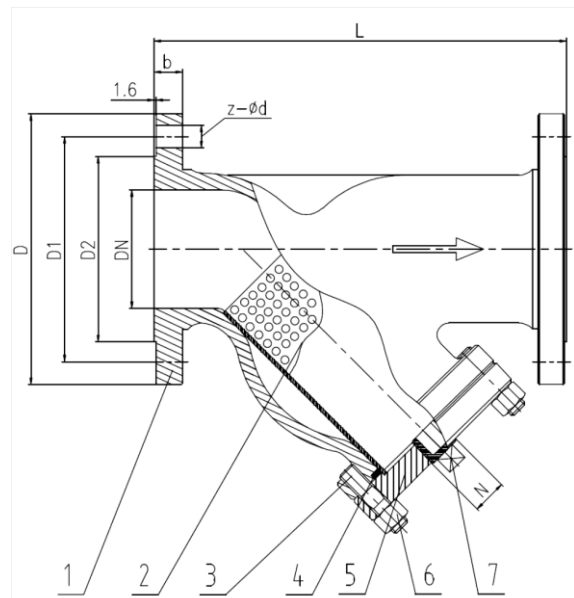
- Size: 1 1/2" – 4"
- JIS 10K Flange connection
- Working Pressure: 10kg/cm<sup>2</sup>
- Temperature range: -20°C to 230°C
- Screen : 1.0mm (Mesh Size 40)
- Applicable Medium: General oil, Gas & Water applications
- Used to collect containment and particles



Addison **Flu!ds**

#### Material List:

No.	Part Name	Material
1	Body	SS316, CF8M
2	Strainer Screen	SS316 1mm Mesh
3	Bolt	SS304
4	Gasket	PTFE
5	Bonnet	SS316, CF8M
6	Nut	SS304
7	Bolt	SS304



#### Technical Specifications

1. Basic design and manufacture according to ANSI B16.34.
2. Flange connection per JIS B 2220
3. Inspection and tested according to API 598.

Main Technical Parameter			
Normal pressure		150	LB
Test pressure	Shell test pressure	/	MPa
	Tightness test	3.0	
	Gas-Tightness test	/	
Max working temperature		-20 to 230	°C
Applicable Medium: General oil, gas & water			

**Dimension List**

NPS	Connection	Impa Code	Part No	D	D1	D2	L	b	N	Weight (kg)
1 1/2"	Flange-End	-	VL-S-YS-F-10K-24	140	105	81	200	16	1/2"	4.60
2"	Flange-End	-	VL-S-YS-F-10K-32	155	120	96	220	16	1/2"	6.30
2 1/2"	Flange-End	-	VL-S-YS-F-10K-40	175	140	116	250	18	1/2"	10.50
3"	Flange-End	-	VL-S-YS-F-10K-48	185	150	126	280	18	3/4"	14.50
4"	Flange-End	-	VL-S-YS-F-10K-64	210	175	151	300	18	3/4"	24.00

**Part Number Reference:**

Impa Code	Part No	Description
-	VL-S-YS-F-10K-24	1 1/2" JIS 10K SS316 FLANGE END Y-STRAINER
-	VL-S-YS-F-10K-32	2" JIS 10K SS316 FLANGE END Y-STRAINER
-	VL-S-YS-F-10K-40	2 1/2" JIS 10K SS316 FLANGE END Y-STRAINER
-	VL-S-YS-F-10K-48	3" JIS 10K SS316 FLANGE END Y-STRAINER
-	VL-S-YS-F-10K-64	4" JIS 10K SS316 FLANGE END Y-STRAINER

### **Chuan Kok Hardware & Machinery Pte Ltd**

**Address:** 1783 Geylang Bahru #01-02, Kallang Distripark Singapore 339708

**Telephone Number:** +65 6294 2566

**Fax Number:** +65 6295 7013

**Email Address:** [info@chuankok.com](mailto:info@chuankok.com)

**Website:** [www.chuankok.com](http://www.chuankok.com)

**Business Registration Number:** 198201577Z

**Country of Registration:** Singapore

#### **Conditions of Use of Catalogue**

The information in the catalogue are not binding and in order to improve distribution, Chuan Kok Hardware & Machinery Pte Ltd reserves the right to make any change including size and pressure ratings considered necessary at any time and without prior notice.

According to the copyright and the civil law, any reproduction (also partial) of figures and texts of this catalogue by means of electronic, mechanical, photocopies, microfilms, recordings or other is forbidden without Chuan Kok Hardware & Machinery Pte Ltd's authorization.

Catalogue Version: 1215