

**WEBSITE:**

[www.tubeclo.com](http://www.tubeclo.com)



# TUBE CLAMPS RUBBER INSERT

### Specification

According to DIN 3015

#### Size Range

- Standard Series (6 – 32mm)
- Heavy Series (6 – 172mm)

#### Accessories Material

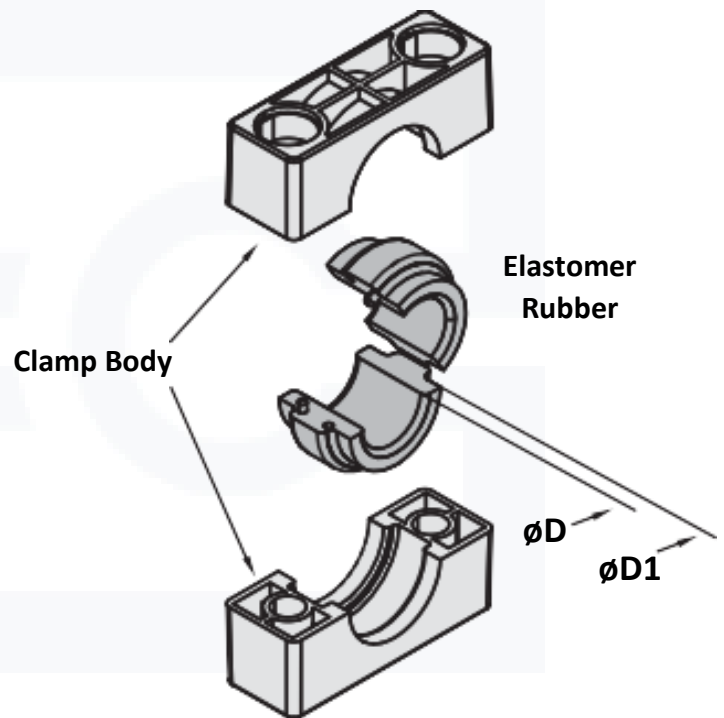
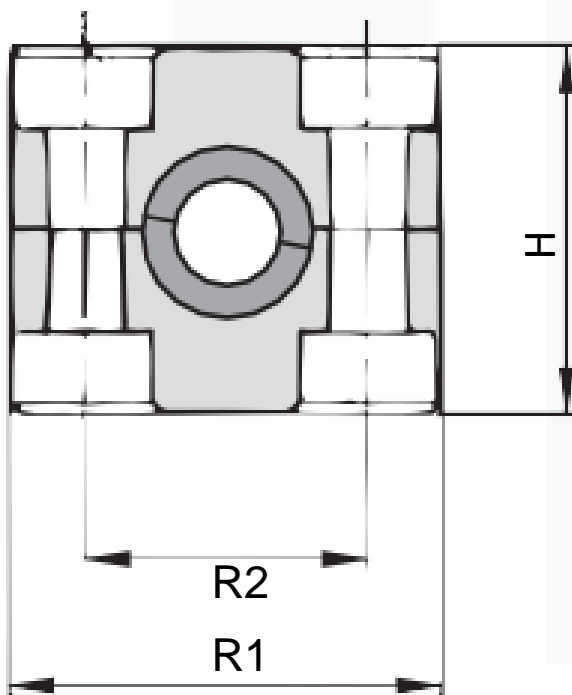
- Galvanized Carbon Steel ST 37 (W3)
- Stainless Steel SS316 (W5)



Rubber Insert Pipe Clamps

#### Clamp Body Material and Temperature Range

- Polypropylene, PP (-30 Deg C to 90 Deg C)
- Polyamide, PA (-40 Deg C to 120 Deg C)



Elastomer Insert	Material Properties
Shore Hardness	73A
Modulus of Elasticity	16 N/mm <sup>2</sup> at 23°C (acc. to ASTM D 412)
Tensile Strength	8,3 N/mm <sup>2</sup> (acc. to ASTM D 412)
Temperature Resistance	-40°C to +125°C
Chemical Properties: Weak Acids, Solvents Benzene, Mineral Oils Alcohol, Other Oils, Seawater	Consistent Conditionally consistent Consistent

**Ordering Information**

PC	-	S	-	PP	-	1	-	3	-	006	-	GS
I		II		III		IV		V		VI		VII

<b>I</b>	<b>Type of Item</b>	:	PC	Pipe Clamp
<b>II</b>	<b>Series</b>	:	S	Standard
<b>III</b>	<b>Material of Clamp Body</b>	:	PP PA	Polypropylene Polyamide
<b>IV</b>	<b>Group</b>	:	1 2 3	Complete Set Rubber Insert Clamp Body
<b>V</b>	<b>Size Series</b>	:	Standard Series  Heavy Series	Group 4 Group 6 Group 4S Group 5S Group 6S Group 7S Group 8S Group 9S Group 10S
<b>VI</b>	<b>Pipe O.D.</b>	:	MM	Metric Size
<b>VII</b>	<b>Material of Metal Parts</b>	:	GS SS	Galvanized Steel Stainless Steel SS316

**Standard Series Rubber Insert (RI) Clamp Sizes**

Group	Outer Diameter Pipes/ Tubes/ Hoses (mm) $\phi$ D	Clamp Body Order Codes	Rubber Insert (RI) Order Codes	$\phi$ D1	R1	R2	H				
4	6	406-R	RI-06-4/4S	25	59	40	41.2				
	8	408-R	RI-08-4/4S								
	10	410-R	RI-10-4/4S								
	12	412-R	RI-12-4/4S								
	12.7	412.7-R	RI-12.7-4/4S								
	14	414-R	RI-14-4/4S								
	14	414-R	RI-14-4/4S	.98	2.32	1.57	1.62				
	15	415-R	RI-15-4/4S								
	16	416-R	RI-16-4/4S								
	17.2	417.2-R	RI-17.2-4/4S								
18	418-R	RI-18-4/4S									
19	419-R	RI-19-4/4S	38	86	66	64.5					
6	20	626-R					RI-20-6/5S				
	21.3	621.3-R					RI-21.3-6/5S				
	22	622-R					RI-22/5S				
	25	625-R					RI-25/5S				
	26.9	626.9-R					RI-26.9/5S				
	28	628-R					RI-28/5S	1.50	3.39	2.60	2.54
	30	630-R					RI-30/5S				
	32	632-R	RI-32/5S								

**Heavy Series Rubber Insert (RI) Clamp Sizes**

Group	Outer Diameter Pipes/ Tubes/ Hoses (mm) $\phi$ D	Clamp Body Order Codes	Rubber Insert (RI) Order Codes	$\phi$ D1	R1	R2	H
4s	6	4006-R	RI-06-4/4S	25	70	45	46.5
	8	4008-R	RI-08-4/4S				
	10	4010-R	RI-10-4/4S				
	12	4012-R	RI-12-4/4S				
	12.7	4012.7-R	RI-12.7-4/4S				
	14	4014-R	RI-14-4/4S	.98	2.76	1.77	4.83
	14	4014-R	RI-14-4/4S				
	15	4015-R	RI-15-4/4S				
	16	4016-R	RI-16-4/4S				
	17.2	4017.2-R	RI-17-4/4S				
18	4018-R	RI-18-4/4S	38	85	60	58	
19	4019-R	RI-19-4/4S					
20	5020-R	RI-20-6/5S					
21.3	5021.3-R	RI-21.3-6/5S					
22	5022-R	RI-22-6/5S					
25	5025-R	RI-25-6/5S					
26.9	5026.9-R	RI-26.9-6/5S					
28	5028-R	RI-28-6/5S					
30	5030-R	RI-30-6/5S	1.50	3.35	2.36	2.28	
32	5032-R	RI-32-6/5S					
6s	32	603.2R	RI-32-6S	64	115	90	87
	33.7	6033.7-R	RI-33.7-6S				
	35	6035-R	RI-35-6S				
	38.7	6038.7-R	RI-38.7-6S				
	40	6040-R	RI-40-6S				
	42	6042-R	RI-42-6S	2.52	4.53	3.54	3.43
	42	6042-R	RI-42-6S				
	45.5	6045.5-R	RI-45.5-6S				
	48	6048-R	RI-48-6S				
	51	6051-R	RI-51-6S				
53.4	6053.4-R	RI-53.4-6S	88	154	122	120	
56.4	6056.4-R	RI-56.4-6S					
55	7005-R	RI-55-7S					
57	7057-R	RI-57-7S					
7s	60	7060-R	RI-60-7S	3.56	6.06	4.80	4.72
	63.5	7063.5-R	RI-63.5-7S				
	65	7065-R	RI-65-7S				
	70	7070-R	RI-70-7S				
	72	7072-R	RI-72-7S				
8s	76	7076-R	RI-76-7S	1145	208	168	168
	80	8080-R	RI-80-8S				
	88.9	8088.9-R	RI-88.9-8S				
	88.9	8088.9-R	RI-88.9-8S				
9s	102	8102-R	RI-102-8S	4.49	8.11	6.61	6.61
	114	9114-R	RI-114-9S				
	133	9133-R	RI-133-9S	150	251	205	200
	133	9133-R	RI-133-9S				
10s	140	9140-R	RI-140-9S	5.91	9.88	8.07	8.07
	150	10150-R	RI-150-10S				
	165	10165-R	RI-165-10S	200	336	265	270
	168	10168-R	RI-168-10S				
	172	10172-R	RI-172-10S				
				7.87	13.22	10.43	10.63



## TUBE CLAMPS RUBBER INSERT

### TUBECLO

#### Conditions of Use of Catalogue:

The information in the catalogue are not binding and in order to improve distribution, Tubeclo reserves the right to make any change including size and pressure ratings considered necessary at any time and without prior notice.

According to the copyright and the civil law, any reproduction (also partial) of figures and texts of this catalogue by means of electronic, mechanical, photocopies, microfilms, recordings or other is forbidden without Tubeclo's authorization.

Catalogue Version: 2023