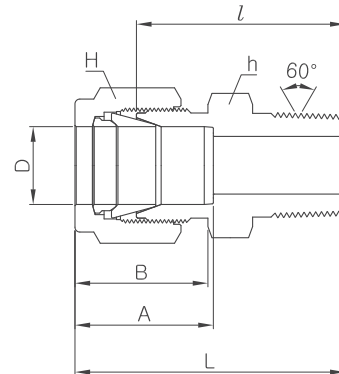
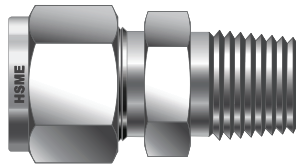


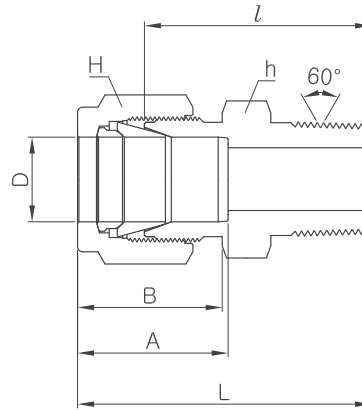
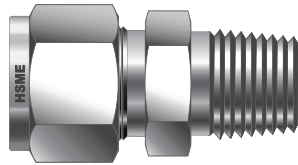
Male NPT Connector
AMC-N



Connects fractional tube to female NPT thread

Part No.	Tube O.D.		T NPT	O Min.	Width across flat				A	B	l	L
	D				h		H					
	in	mm			in	mm	in	mm				
AMC1-1N	1/16	1.59	1/16	1.27	5/16	7.93	5/16	7.93	8.63	10.92	20.00	23.83
AMC1-2N	1/16	1.59	1/8	1.27	7/16	11.11	5/16	7.93	8.63	10.92	22.35	26.23
AMC1-4N	1/16	1.59	1/4	1.27	9/16	14.28	5/16	7.93	8.63	10.92	27.17	30.98
AMC2-1N	1/8	3.17	1/16	2.28	7/16	11.11	7/16	11.11	12.70	15.24	23.11	29.71
AMC2-2N	1/8	3.17	1/8	2.28	7/16	11.11	7/16	11.11	12.70	15.24	23.87	30.48
AMC2-4N	1/8	3.17	1/4	2.28	9/16	14.28	7/16	11.11	12.70	15.24	28.95	35.56
AMC2-6N	1/8	3.17	3/8	2.28	11/16	17.46	7/16	11.11	12.70	15.24	29.21	35.81
AMC2-8N	1/8	3.17	1/2	2.28	7/8	22.22	7/16	11.11	12.70	15.24	35.56	42.16
AMC3-2N	3/16	4.76	1/8	3.04	7/16	11.11	1/2	12.70	13.71	16.00	24.63	31.24
AMC3-4N	3/16	4.76	1/4	3.04	9/16	14.28	1/2	12.70	13.71	16.00	29.71	36.32
AMC4-1N	1/4	6.35	1/16	4.82	1/2	12.70	9/16	14.28	15.24	17.78	25.40	32.76
AMC4-2N	1/4	6.35	1/8	4.82	1/2	12.70	9/16	14.28	15.24	17.78	25.40	32.76
AMC4-4N	1/4	6.35	1/4	4.82	9/16	14.28	9/16	14.28	15.24	17.78	30.48	37.84
AMC4-6N	1/4	6.35	3/8	4.82	11/16	17.46	9/16	14.28	15.24	17.78	30.98	38.35
AMC4-8N	1/4	6.35	1/2	4.82	7/8	22.22	9/16	14.28	15.24	17.78	37.33	44.70
AMC4-12N	1/4	6.35	3/4	4.82	1-1/6	26.98	9/16	14.28	15.24	17.78	38.86	46.22
AMC5-2N	5/16	7.93	1/8	4.82	9/16	14.28	5/8	15.87	16.25	18.54	26.67	34.03
AMC5-4N	5/16	7.93	1/4	6.35	9/16	14.28	5/8	15.87	16.25	18.54	31.24	38.60
AMC5-6N	5/16	7.93	3/8	6.35	11/16	17.46	5/8	15.87	16.25	18.54	31.75	39.11
AMC5-8N	5/16	7.93	1/2	6.35	7/8	22.22	5/8	15.87	16.25	18.54	38.11	45.60
AMC6-2N	3/8	9.52	1/8	4.82	5/8	15.87	11/16	17.46	16.76	19.30	27.94	35.30
AMC6-4N	3/8	9.52	1/4	7.11	5/8	15.87	11/16	17.46	16.76	19.30	32.51	39.87
AMC6-6N	3/8	9.52	3/8	7.11	11/16	17.46	11/16	17.46	16.76	19.30	32.51	39.87
AMC6-8N	3/8	9.52	1/2	7.11	7/8	22.22	11/16	17.46	16.76	19.30	38.86	46.22
AMC6-12N	3/8	9.52	3/4	7.11	1-1/16	26.98	11/16	17.46	16.76	19.30	40.38	47.75
AMC8-2N	1/2	12.70	1/8	4.82	13/16	20.64	7/8	22.22	22.86	21.84	28.70	38.86
AMC8-4N	1/2	12.70	1/4	7.11	13/16	20.64	7/8	22.22	22.86	21.84	33.27	43.43
AMC8-6N	1/2	12.70	3/8	9.65	13/16	20.64	7/8	22.22	22.86	21.84	33.27	43.43
AMC8-8N	1/2	12.70	1/2	10.41	7/8	22.22	7/8	22.22	22.86	21.84	38.86	49.02
AMC8-12N	1/2	12.70	3/4	10.41	1-1/16	26.98	7/8	22.22	22.86	21.84	40.38	50.54
AMC8-16N	1/2	12.70	1	10.41	1-3/8	34.92	7/8	22.22	22.86	21.84	46.99	57.15
AMC10-6N	5/8	15.87	3/8	9.65	15/16	23.81	1	25.40	24.38	21.84	34.03	44.19
AMC10-8N	5/8	15.87	1/2	11.93	15/16	23.81	1	25.40	24.38	21.84	38.86	49.02
AMC10-12N	5/8	15.87	3/4	12.70	1-1/16	26.98	1	25.40	24.38	21.84	40.38	50.54
AMC12-8N	3/4	19.05	1/2	11.93	1-1/16	26.98	1-1/8	28.58	24.38	21.84	40.38	50.54
AMC12-12N	3/4	19.05	3/4	15.74	1-1/16	26.98	1-1/8	28.58	24.38	21.84	40.38	50.54
AMC12-16N	3/4	19.05	1	15.74	1-3/8	34.92	1-1/8	28.58	24.38	21.84	46.99	57.15
AMC14-12N	7/8	22.22	3/4	15.74	1-3/16	30.16	1-1/4	31.75	25.90	21.84	40.38	50.54
AMC14-16N	7/8	22.22	1	18.28	1-3/8	34.92	1-1/4	31.75	25.90	21.84	46.99	57.15
AMC16-8N	1	25.40	1/2	11.93	1-3/8	34.92	1-1/2	38.10	31.24	26.41	45.21	57.40
AMC16-12N	1	25.40	3/4	15.74	1-3/8	34.92	1-1/2	38.10	31.24	26.41	45.21	57.40
AMC16-16N	1	25.40	1	22.35	1-3/8	34.62	1-1/2	38.10	31.24	26.41	50.03	62.23
AMC20-16N	1-1/4	31.75	1	22.35	1-3/4	44.45	1-7/8	47.63	41.14	38.86	55.11	77.21
AMC20-20N	1-1/4	31.75	1-1/4	27.68	1-3/4	44.45	1-7/8	47.63	41.14	38.86	55.11	77.21
AMC20-24N	1-1/4	31.75	1-1/2	27.68	1-3/4	44.45	1-7/8	47.63	41.14	38.86	60.54	82.64
AMC24-20N	1-1/2	38.10	1-1/4	27.68	2-1/8	53.98	2-1/4	57.15	50.03	45.21	59.42	86.60
AMC24-24N	1-1/2	38.10	1-1/2	34.03	2-1/8	53.98	2-1/4	57.15	50.03	45.21	61.72	88.90
AMC24-32N	1-1/2	38.10	2	34.03	2-3/4	69.85	2-1/4	57.15	50.03	45.21	62.42	99.75
AMC32-8N	2	50.80	1/2	11.93	2-3/4	69.85	3	76.20	67.56	62.73	68.40	105.73
AMC32-20N	2	50.80	1-1/4	45.97	2-3/4	69.85	3	76.20	67.56	62.73	71.40	108.73
AMC32-24N	2	50.80	1-1/2	45.97	2-3/4	69.85	3	76.20	67.56	62.73	75.50	112.83
AMC32-32N	2	50.80	2	45.97	2-3/4	69.85	3	76.20	67.56	62.73	76.20	113.53

Male NPT Connector AMC-N



Connects metric tube to female NPT thread

Part No.	Tube O.D. D	T NPT	E Min.	Width across flat		A	B	l	L
				h	H				
AMC2M-2N	2	1/8	1.7	12	12	12.9	15.3	23.9	30.5
AMC3M-2N	3	1/8	2.4	12	12	12.9	15.3	23.1	29.7
AMC3M-4N	3	1/4	2.4	14	12	12.9	15.3	29.0	35.6
AMC4M-2N	4	1/8	2.4	12	12	13.7	16.1	24.6	31.2
AMC4M-4N	4	1/4	2.4	14	12	13.7	16.1	29.7	36.3
AMC6M-2N	6	1/8	4.8	14	14	15.3	17.7	25.4	32.8
AMC6M-4N	6	1/4	4.8	14	14	15.3	17.7	30.2	37.6
AMC6M-6N	6	3/8	4.8	18	14	15.3	17.7	31.0	38.4
AMC6M-8N	6	1/2	4.8	22	14	15.3	17.7	37.3	44.0
AMC8M-2N	8	1/8	4.8	15	16	16.2	18.6	26.7	34.2
AMC8M-4N	8	1/4	6.4	15	16	16.2	18.6	31.2	38.7
AMC8M-6N	8	3/8	6.4	18	16	16.2	18.6	31.8	39.2
AMC8M-8N	8	1/2	6.4	22	16	16.2	18.6	37.3	44.8
AMC10M-2N	10	1/8	4.8	18	19	17.2	19.5	28.7	36.3
AMC10M-4N	10	1/4	7.1	18	19	17.2	19.5	33.3	40.9
AMC10M-6N	10	3/8	7.9	18	19	17.2	19.5	33.3	40.9
AMC10M-8N	10	1/2	7.9	22	19	17.2	19.5	38.1	45.7
AMC10M-12N	10	3/4	7.9	27	19	17.2	19.5	38.9	46.5
AMC12M-2N	12	1/8	4.8	22	22	22.8	22.0	28.7	38.8
AMC12M-4N	12	1/4	7.1	22	22	22.8	22.0	33.3	43.4
AMC12M-6N	12	3/8	9.5	22	22	22.8	22.0	33.3	43.4
AMC12M-8N	12	1/2	9.5	22	22	22.8	22.0	38.1	48.2
AMC12M-12N	12	3/4	9.5	27	22	22.8	22.0	38.9	49.0
AMC14M-4N	14	1/4	6.4	24	25	24.4	22.0	34.0	44.1
AMC14M-6N	14	3/8	9.5	24	25	24.4	22.0	34.0	44.1
AMC14M-8N	14	1/2	11.1	24	25	24.4	22.0	34.0	44.1
AMC15M-8N	15	1/2	11.9	24	25	24.4	22.0	38.9	49.0
AMC16M-4N	16	1/4	7.1	24	25	24.4	22.0	34.0	44.1
AMC16M-6N	16	3/8	9.5	24	25	24.4	22.0	34.0	44.1
AMC16M-8N	16	1/2	11.9	24	25	24.4	22.0	38.9	49.0
AMC16M-12N	16	3/4	12.7	27	25	24.4	22.0	38.9	49.0
AMC18M-8N	18	1/2	11.9	27	30	24.4	22.0	40.4	50.5
AMC18M-12N	18	3/4	15.1	27	30	24.4	22.0	40.4	50.5
AMC20M-8N	20	1/2	11.9	30	32	26.0	22.0	42.2	52.3
AMC20M-12N	20	3/4	15.9	30	32	26.0	22.0	42.2	52.3
AMC22M-12N	22	3/4	15.9	30	32	26.0	22.0	42.2	52.3
AMC22M-16N	22	1	18.3	35	32	26.0	22.0	47.8	57.9
AMC25M-8N	25	1/2	11.9	35	38	31.3	26.5	45.2	57.5
AMC25M-12N	25	3/4	15.9	35	38	31.3	26.5	45.2	57.5
AMC25M-16N	25	1	21.8	35	38	31.3	26.5	50.0	62.3
AMC28M-16N	28	1	21.8	41	46	36.6	36.6	51.6	72.4
AMC28M-20N	28	1-1/4	21.8	46	46	36.6	36.6	52.3	73.1
AMC32M-20N	32	1-1/4	28.6	46	50	42.0	41.6	56.6	79.6
AMC38M-24N	38	1-1/2	33.7	55	60	49.4	47.9	64.0	91.6