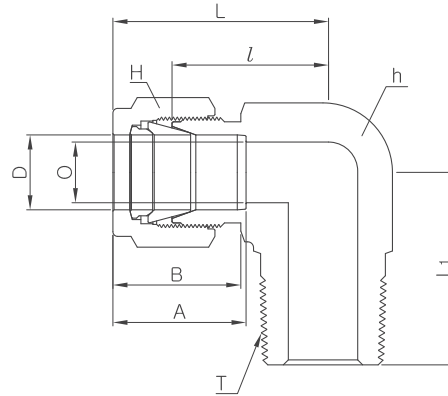
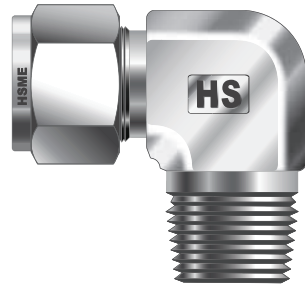


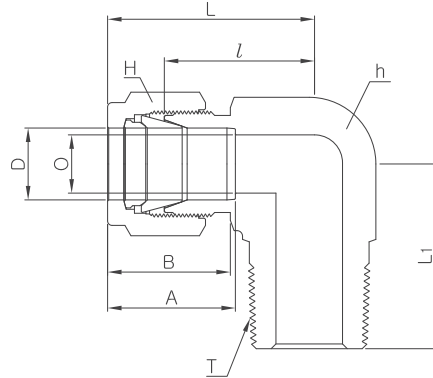
Male NPT Elbow  
**ALM-N**



Connects fractional tube to female NPT thread

Part No.	Tube O.D. D		T NPT	O Min.	Width across flat				A	B	l	L	L1
	in	mm			h		H						
					in	mm	in	mm					
ALM1-1N	1/16	1.59	1/16	1.27	7/16	11.11	5/16	7.93	8.63	10.92	15.24	19.05	17.78
ALM1-2N	1/16	1.59	1/8	1.27	7/16	11.11	5/16	7.93	8.63	10.92	15.24	19.05	17.78
ALM2-2N	1/8	3.17	1/8	2.28	1/2	12.70	7/16	11.11	12.70	15.24	18.30	24.91	18.90
ALM2-4N	1/8	3.17	1/4	2.28	1/2	12.70	7/16	11.11	12.70	15.24	18.30	24.91	23.26
ALM3-2N	3/16	4.76	1/8	3.04	1/2	12.70	1/2	12.70	13.71	16.00	18.79	25.40	18.79
ALM3-4N	3/16	4.76	1/4	3.04	1/2	12.70	1/2	12.70	13.71	16.00	18.79	25.40	23.36
ALM4-1N	1/4	6.35	1/16	3.04	1/2	12.70	9/16	14.28	15.24	17.78	19.55	26.90	18.79
ALM4-2N	1/4	6.35	1/8	4.82	1/2	12.70	9/16	14.28	15.24	17.78	19.55	26.47	18.79
ALM4-4N	1/4	6.35	1/4	4.82	1/2	12.70	9/16	14.28	15.24	17.78	19.81	27.18	23.87
ALM4-6N	1/4	6.35	3/8	4.82	11/16	17.46	9/16	14.28	15.24	17.78	22.35	29.71	26.20
ALM4-8N	1/4	6.35	1/2	4.82	13/16	20.64	9/16	14.28	15.24	17.78	24.60	31.97	33.02
ALM5-2N	5/16	7.93	1/8	4.82	9/16	14.28	5/8	15.87	16.25	18.54	21.33	28.70	19.81
ALM5-4N	5/16	7.93	1/4	6.35	9/16	14.28	5/8	15.87	16.25	18.54	21.33	29.77	24.50
ALM5-6N	5/16	7.93	3/8	6.35	11/16	17.46	5/8	15.87	16.25	18.54	23.11	30.48	26.20
ALM6-2N	3/8	9.52	1/8	4.82	5/8	15.87	11/16	17.46	16.76	19.30	23.11	30.48	20.60
ALM6-4N	3/8	9.52	1/4	7.11	5/8	15.87	11/16	17.46	16.76	19.30	23.11	30.48	25.40
ALM6-6N	3/8	9.52	3/8	7.11	11/16	17.46	11/16	17.46	16.76	19.30	23.87	31.24	26.20
ALM6-8N	3/8	9.52	1/2	7.11	13/16	20.64	11/16	17.46	16.76	19.30	25.90	31.42	33.02
ALM6-12N	3/8	9.52	3/4	7.11	1-1/16	26.98	11/16	17.46	16.76	19.30	29.71	37.08	36.83
ALM8-4N	1/2	12.70	1/4	7.11	13/16	20.64	7/8	22.22	22.86	21.84	25.90	36.06	28.30
ALM8-6N	1/2	12.70	3/8	9.65	13/16	20.64	7/8	22.22	22.86	21.84	25.90	36.06	28.30
ALM8-8N	1/2	12.70	1/2	10.41	13/16	20.64	7/8	22.22	22.86	21.84	25.90	36.06	33.02
ALM8-12N	1/2	12.70	3/4	10.41	1-1/16	26.98	7/8	22.22	22.86	21.84	29.71	39.87	36.83
ALM10-6N	5/8	15.87	3/8	9.65	15/16	23.81	1	25.40	24.38	21.84	28.00	37.06	30.22
ALM10-8N	5/8	15.87	1/2	11.93	15/16	23.81	1	25.40	24.38	21.84	28.00	37.06	35.10
ALM10-12N	5/8	15.87	3/4	12.70	1-1/16	26.98	1	25.40	24.38	21.84	29.71	39.87	36.83
ALM12-8N	3/4	19.05	1/2	11.93	1-1/16	26.98	1-1/8	28.57	24.38	21.84	29.71	39.87	37.00
ALM12-12N	3/4	19.05	3/4	15.74	1-1/16	26.98	1-1/8	28.57	24.38	21.84	29.71	39.87	36.83
ALM14-12N	7/8	22.22	3/4	15.74	1-3/8	34.92	1-1/4	31.75	25.90	21.84	34.54	44.70	41.65
ALM16-12N	1	25.40	3/4	15.74	1-3/8	34.92	1-1/2	38.10	31.24	26.41	36.83	49.02	42.20
ALM16-16N	1	25.40	1	22.35	1-3/8	34.92	1-1/2	38.10	31.24	26.41	36.83	49.02	46.70
ALM20-20N	1-1/4	31.75	1-1/4	27.68	1-11/16	42.86	1-7/8	47.63	41.14	38.86	44.50	66.54	47.75
ALM24-24N	1-1/2	38.10	1-1/2	34.03	2	50.80	2-1/4	57.15	50.03	45.21	50.80	77.97	60.45
ALM32-32N	2	50.80	2	45.97	2-3/4	69.85	3	76.20	62.73	63.73	69.80	107.18	70.61

• Male NPT Elbow  
**ALM-N**



Connects metric tube to female NPT thread

Part No.	Tube O.D. D	T R(PT)	O Min.	Width across flat		A	B	l	L	L1
				h	H					
ALM3M-1N	3	1/16	2.4	11.1	12	12.9	15.3	17.0	23.6	17.8
ALM3M-2N	3	1/8	2.4	12.7	12	12.9	15.3	17.0	23.6	17.8
ALM3M-4N	3	1/4	2.4	12.7	12	12.9	15.3	18.0	24.6	23.4
ALM4M-2N	4	1/8	2.4	12.7	12	13.7	16.1	18.8	25.4	18.8
ALM4M-4N	4	1/4	2.4	12.7	12	13.7	16.1	18.8	25.4	23.4
ALM6M-2N	6	1/8	4.8	12.7	14	15.3	17.7	19.6	27.0	18.8
ALM6M-4N	6	1/4	4.8	12.7	14	15.3	17.7	19.6	27.0	23.4
ALM6M-6N	6	3/8	4.8	17.5	14	15.3	17.7	22.4	29.8	26.2
ALM6M-8N	6	1/2	4.8	20.6	14	15.3	17.7	24.4	31.8	33.0
ALM8M-2N	8	1/8	4.8	14.3	16	16.2	18.6	21.3	28.8	19.8
ALM8M-4N	8	1/4	6.4	14.3	16	16.2	18.6	21.3	28.8	24.4
ALM8M-6N	8	3/8	6.4	17.5	16	16.2	18.6	23.1	30.6	26.2
ALM8M-8N	8	1/2	6.4	20.6	16	16.2	18.6	25.1	32.6	33.0
ALM10M-2N	10	1/8	4.8	17.5	19	17.2	19.5	23.9	31.5	23.6
ALM10M-4N	10	1/4	7.1	17.5	19	17.2	19.5	23.9	31.5	26.2
ALM10M-6N	10	3/8	7.9	17.5	19	17.2	19.5	23.9	31.5	26.2
ALM10M-8N	10	1/2	7.9	20.6	19	17.2	19.5	25.9	33.5	33.0
ALM12M-2N	12	1/8	4.8	20.6	22	22.8	22.0	25.9	36.0	23.6
ALM12M-4N	12	1/4	7.1	20.6	22	22.8	22.0	25.9	36.0	28.2
ALM12M-6N	12	3/8	9.5	20.6	22	22.8	22.0	25.9	36.0	28.2
ALM12M-8N	12	1/2	9.5	20.6	22	22.8	22.0	25.9	36.0	33.0
ALM12M-12N	12	3/4	9.5	27.0	22	22.8	22.0	29.7	39.8	36.8
ALM16M-6N	16	3/8	9.5	25.4	25	24.4	22.0	27.9	38.0	30.2
ALM16M-8N	16	1/2	11.9	23.81	25	24.4	22.0	27.9	38.0	35.1
ALM16M-12N	16	3/4	12.7	23.81	25	24.4	22.0	29.7	39.8	36.8
ALM18M-8N	18	1/2	11.9	27.0	30	24.4	22.0	29.7	39.8	36.8
ALM18M-12N	18	3/4	15.1	27.0	30	24.4	22.0	29.7	39.8	36.8
ALM20M-8N	20	1/2	11.9	34.92	32	26.0	22.0	34.5	44.6	41.7
ALM20M-12N	20	3/4	15.9	34.92	32	26.0	22.0	34.5	44.6	41.7
ALM22M-12N	22	3/4	15.9	34.92	32	26.0	22.0	34.5	44.6	41.7
ALM22M-16N	22	1	18.3	34.92	32	26.0	22.0	34.5	44.6	46.5
ALM25M-12N	25	3/4	15.9	34.92	38	31.3	26.5	36.8	49.1	41.7
ALM25M-16N	25	1	21.8	34.92	38	31.3	26.5	36.8	49.1	46.5
ALM28M-16N	28	1	21.8	41.0	46	36.6	36.6	43.2	64.0	53.7
ALM30M-20N	30	1-1/4	26.2	46.0	50	39.6	39.2	48.3	69.9	53.1
ALM32M-20N	32	1-1/4	27.8	46.0	50	42.0	41.6	49.3	72.3	53.1
ALM38M-24N	38	1-1/4	33.7	50.8	60	49.4	47.9	56.4	84.0	60.4