



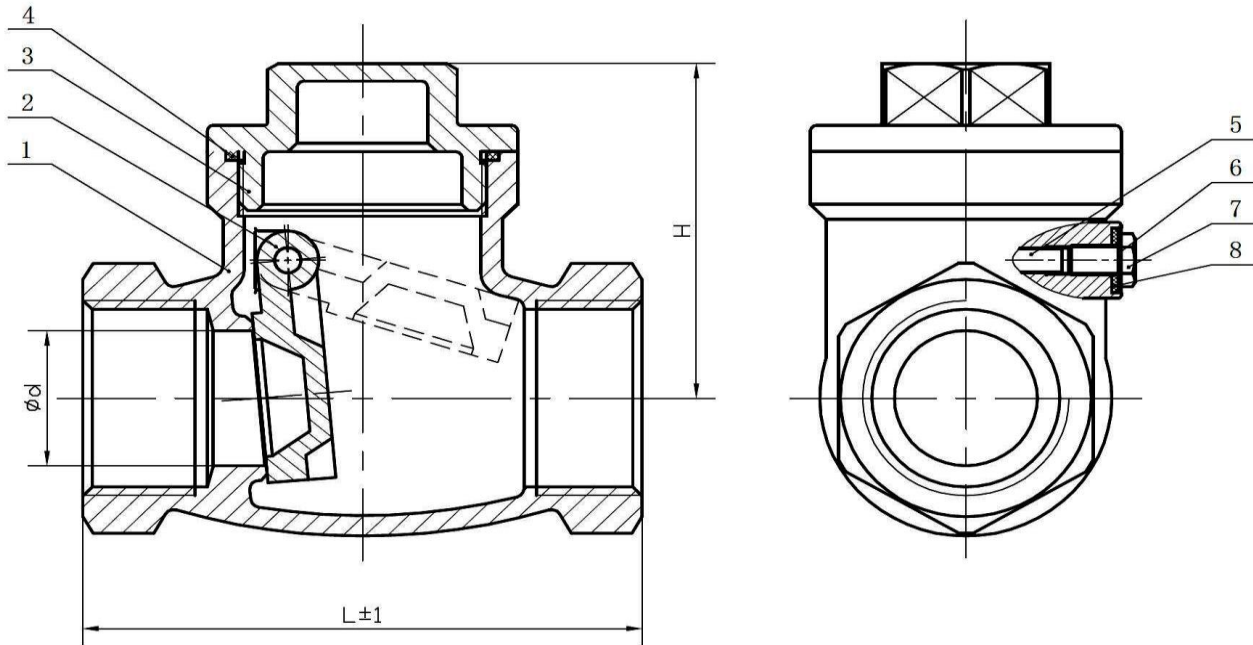
LOW PRESSURE STAINLESS STEEL SWING CHECK VALVE

Features:

- Swing type
- Material: SS316, CF8M
- Size : 1/4" – 2"
- Working pressure: 200 PSI
- Threaded end: BSPT, NPT
- Applicable Medium: General oil, Gas & Water applications
- Temperature Range: -29°C to 150°C



Addison Fluids



TECHNICAL SPECIFICATION

1. Basic design and manufacture according to ANSI B16.34
2. Rc, Rp & G threaded ends complies with BS 21/2779, DIN 259/2999, ISO 228-1 AS1722.1/1722.2 are upon request.
3. Inspection and tested according to API598

Main Technical Parameter			
Normal pressure		200	PSI
Test pressure	Shell test pressure	2.1	MPa
	Tightness test	1.6	
	Gas-Tightness test	0.6	
Max working temperature		-29 ~ 180	°C
Applicable medium: General oil, gas & water			



Ordering Information

VL - S - B2 - G - 1000 - 08
 I II III IV V VI

I Type of Item

VL Low Pressure Valves

II Material Grade

S SS316, CF8M

B Brass

III Item

GA	Gate Valve	B1	1 PC Ball Valve
GL	Globe Valve	B2	2 PC Ball Valve
YS	Y-Strainer	B3	3 PC Ball Valve
SC	Swing Check Valve	BL	3 Way Ball Valve L Port
VC	Vertical Check Valve	BT	3 Way Ball Valve T Port
WC	Wafer Check Valve	BMF	Male x Female Mini Ball Valve

IV Connection Type

SW	S/W	G	BSP
BW	B/W	N	NPT
R	BSPT	F	Flanged End

V Pressure

200	200 PSI	1000	1000 PSI
300	300 PSI	150	ANSI 150# Flange Standard
800	800 PSI	10K	JIS 10K Flange Standard

For Inch OD & Inch NB Sizes

VI Size

Size	1/8"	1/4"	5/16"	3/8"	1/2"	5/8"	3/4"
Code	02	04	05	06	08	10	12
Size	1"	1 1/4"	1 1/2"	2"	2 1/2"	3"	4"
Code	16	20	24	32	40	48	64

VII Coating

(none) No additional Coating

NI Nickel Plating



Material List:

No.	Part Name	Material
1	Body	SS316, CF8M
2	Disc	SS316, CF8M
3	Cap	SS316, CF8M
4	Body Gasket	PTFE
5	Pin	SS304
6	Plain washer	SS304
7	Bolt	SS304
8	Gasket	PTFE

Dimension List:

NPS	Connection	Impa Code	Part No	L	H	d	Weight (kg)
1/4"	BSPT	-	VL-S-SC-R-200-04	60	36.5	10	0.24
3/8"	BSPT	-	VL-S-SC-R-200-06	60	36.5	10	0.26
1/2"	BSPT	-	VL-S-SC-R-200-08	64	40	15	0.27
3/4"	BSPT	-	VL-S-SC-R-200-12	79	49.5	20	0.45
1"	BSPT	-	VL-S-SC-R-200-16	87	57	23	0.64
1 1/4"	BSPT	-	VL-S-SC-R-200-20	100	61.5	30	0.87
1 1/2"	BSPT	-	VL-S-SC-R-200-24	116	71	38	1.32
2"	BSPT	-	VL-S-SC-R-200-32	136	77	47	1.78
1/4"	NPT	-	VL-S-SC-N-200-04	60	36.5	10	0.24
3/8"	NPT	-	VL-S-SC-N-200-06	60	36.5	10	0.26
1/2"	NPT	-	VL-S-SC-N-200-08	64	40	15	0.27
3/4"	NPT	-	VL-S-SC-N-200-12	79	49.5	20	0.45
1"	NPT	-	VL-S-SC-N-200-16	87	57	23	0.64
1 1/4"	NPT	-	VL-S-SC-N-200-20	100	61.5	30	0.87
1 1/2"	NPT	-	VL-S-SC-N-200-24	116	71	38	1.32
2"	NPT	-	VL-S-SC-N-200-32	136	77	47	1.78



Part Number Reference:

Impa Code	Part No	Description
-	VL-S-SC-R-200-04	1/4"BSPT SS316 SWING CHECK VALVE (200 PSI)
-	VL-S-SC-R-200-06	3/8"BSPT SS316 SWING CHECK VALVE (200 PSI)
-	VL-S-SC-R-200-08	1/2"BSPT SS316 SWING CHECK VALVE (200 PSI)
-	VL-S-SC-R-200-12	3/4"BSPT SS316 SWING CHECK VALVE (200 PSI)
-	VL-S-SC-R-200-16	1"BSPT SS316 SWING CHECK VALVE (200 PSI)
-	VL-S-SC-R-200-20	1 1/4"BSPT SS316 SWING CHECK VALVE (200 PSI)
-	VL-S-SC-R-200-24	1 1/2"BSPT SS316 SWING CHECK VALVE (200 PSI)
-	VL-S-SC-R-200-32	2"BSPT SS316 SWING CHECK VALVE (200 PSI)
-	VL-S-SC-N-200-04	1/4"NPT SS316 SWING CHECK VALVE (200 PSI)
-	VL-S-SC-N-200-06	3/8"NPT SS316 SWING CHECK VALVE (200 PSI)
-	VL-S-SC-N-200-08	1/2"NPT SS316 SWING CHECK VALVE (200 PSI)
-	VL-S-SC-N-200-12	3/4"NPT SS316 SWING CHECK VALVE (200 PSI)
-	VL-S-SC-N-200-16	1"NPT SS316 SWING CHECK VALVE (200 PSI)
-	VL-S-SC-N-200-20	1 1/4"NPT SS316 SWING CHECK VALVE (200 PSI)
-	VL-S-SC-N-200-24	1 1/2"NPT SS316 SWING CHECK VALVE (200 PSI)
-	VL-S-SC-N-200-32	2"NPT SS316 SWING CHECK VALVE (200 PSI)



Chuan Kok Hardware & Machinery Pte Ltd

Address: 1783 Geylang Bahru #01-02, Kallang Distripark Singapore 339708

Telephone Number: +65 6294 2566

Fax Number: +65 6295 7013

Email Address: info@chuankok.com

Website: www.chuankok.com

Business Registration Number: 198201577Z

Country of Registration: Singapore

Conditions of Use of Catalogue

The information in the catalogue are not binding and in order to improve distribution, Chuan Kok Hardware & Machinery Pte Ltd reserves the right to make any change including size and pressure ratings considered necessary at any time and without prior notice.

According to the copyright and the civil law, any reproduction (also partial) of figures and texts of this catalogue by means of electronic, mechanical, photocopies, microfilms, recordings or other is forbidden without Chuan Kok Hardware & Machinery Pte Ltd's authorization.

Catalogue Version: 1216