



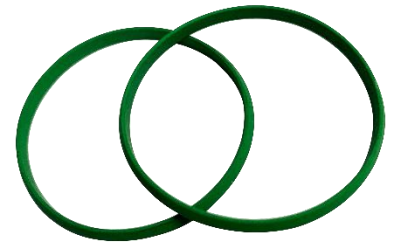
RFS HYDRAULICS
CREATING OPPORTUNITIES



WALFORM SEALS

Features

- Viton standard seal material
- Available for 6mm to 42mm tube outer diameter (L - Light series & S – Heavy series)
- Build to DIN 2353 specifications
- Provides sealing along the tube and 24 degree fitting body
- Leak free connections
- Installed after pre-assembly



Walform Seals

Benefits of Using Walform Fitting System

- Avoid insufficient or excessive tightening issue. The standard is consistently controlled by the machine assembly as the pressure point clearly indicates the end of assembly travel.
- Ensure reliability under dynamic pressure impulse and vibration loads.
- Simple, practical and safe assembly process. With the use of seal, chances of damage during pre-assembly with cutting rings are eliminated.
- Easy to exchange for repeated assembly.

Pressure Rating

Light Series

Tube O.D. (MM)	6	8	10	12	15	18	22	28	35	42
Bar	500	500	500	400	400	400	250	250	250	250
Psi	7252	7252	7252	5801	5801	5801	3626	3626	3626	3626

Heavy Series

Tube O.D. (MM)	6	8	10	12	16	20	25	30	38
Bar	800	800	800	630	630	420	420	420	420
Psi	11603	11603	11603	9137	9137	6091	6091	6091	6091

***The stated pressures refer to the connector. For the tubing, be certain to verify the pressure rating from the manufacturer.**

Ordering Information

WS	-	V	-	06	-	L
I		II		III		IV

I	Type of Item		
WS	Walform Seal		

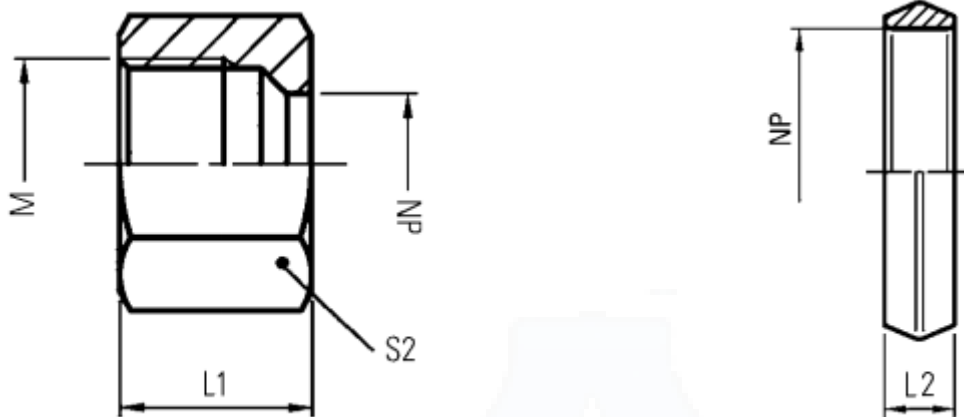
II	Material		
V	Viton		

III	Tube OD Sizes		
------------	----------------------	--	--

For Metric OD Sizes

Size	6MM	12MM	18MM	30MM	35MM	42MM
Code	6	12	18		30	35	42

IV	Size Series
L	Light Series
S	Heavy Series

Nuts and Viton Walform Seal Dimension


Series	Tube O.D. (MM)	Part No	M	L1	S2	L2
L 500 Bar	6	WS-V-06-L	M 12 x 1.5	14.5	2.70	14
	8	WS-V-08-L	M 14 x 1.5	14.5	2.70	17
	10	WS-V-10-L	M 16 x 1.5	15.5	2.95	19
L 400 Bar	12	WS-V-12-L	M 18 x 1.5	15.5	2.95	22
	15	WS-V-15-L	M 22 x 1.5	17.0	2.95	27
	18	WS-V-18-L	M 26 x 1.5	18.0	2.95	32
L 250 Bar	22	WS-V-22-L	M 30 x 2.0	20.0	2.95	36
	28	WS-V-28-L	M 36 x 2.0	21.0	2.95	41
	35	WS-V-35-L	M 45 x 2.0	24.0	3.50	50
	42	WS-V-42-L	M 52 x 2.0	24.0	3.50	60
S 800 Bar	6	WS-V-06-S	M 14 x 1.5	16.5	2.70	17
	8	WS-V-08-S	M 16 x 1.5	16.5	2.70	19
	10	WS-V-10-S	M 18 x 1.5	17.5	2.95	22
S 630 Bar	12	WS-V-12-S	M 20 x 1.5	17.5	2.95	24
	16	WS-V-16-S	M 24 x 1.5	20.5	2.95	30
S 420 Bar	20	WS-V-20-S	M 30 x 2.0	24.0	3.70	36
	25	WS-V-25-S	M 36 x 2.0	27.0	3.70	46
	30	WS-V-30-S	M 42 x 2.0	29.0	3.85	50
	38	WS-V-38-S	M 52 x 2.0	32.5	3.50	60

Note: Both nut and seal are required for each connection.

RFS Hydraulics

Conditions of Use of Catalogue:

The information in the catalogue are not binding and in order to improve distribution, RFS Hydraulics Sdn Bhd reserves the right to make any change including size and pressure ratings considered necessary at any time and without prior notice. According to the copyright and the civil law, any reproduction (also partial) of figures and texts of this catalogue by means of electronic, mechanical, photocopies, microfilms, recordings or other is forbidden without RFS Hydraulics Sdn Bhd's authorization.
Catalogue Version: 2020