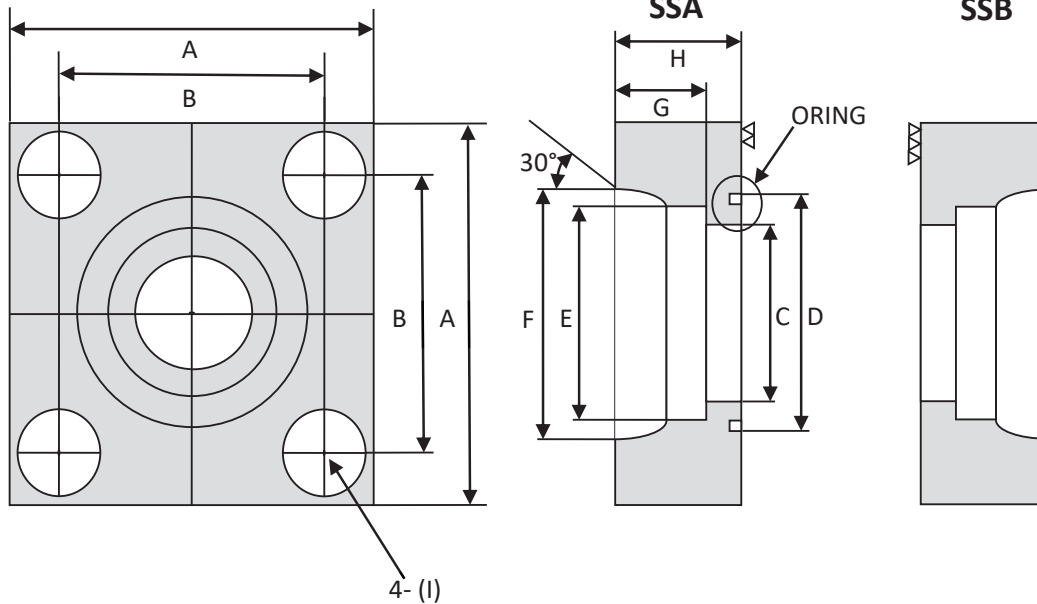


WELD IN SQUARE FLANGES (210 kg/cm² SSAB)



SSAB (210 KG/CM²)

SIZE	ORING	PART NUMBER	DIMENSIONS									BOLT LENGTH (MINIMUM)	WEIGHT
			A	B	C	D	E	F	G	H	I		
10	G25	FL-SQ-H-SSAB-06	54	36	11.5	30	17.8	28	11	22	11	M10 x 40	1.00 KGS
15	G25	FL-SQ-H-SSAB-08	54	36	16	30	22.2	32	11	22	11	M10 x 40	1.00 KGS
20	G30	FL-SQ-H-SSAB-12	58	40	20	35	27.7	38	12	22	11	M10 x 40	1.20 KGS
25	G35	FL-SQ-H-SSAB-16	68	48	25	40	34.5	45	14	28	13	M12 x 50	1.60 KGS
32	G40	FL-SQ-H-SSAB-20	76	56	31.5	45	43.2	56	16	28	13	M12 x 50	2.00 KGS
40	G50	FL-SQ-H-SSAB-24	92	65	37.5	55	49.1	63	18	36	18	M16 x 65	3.80 KGS
50	G60	FL-SQ-H-SSAB-32	100	73	47.5	65	61.1	75	20	36	18	M16 x 65	4.00 KGS
65	G75	FL-SQ-H-SSAB-40	128	92	60	80	77.1	95	22	45	22	M20 x 85	8.20 KGS
80	G85	FL-SQ-H-SSAB-48	140	103	71	90	90.0	108	25	45	24	M22 x 85	9.40 KGS

Designation for Order:

Double Flanges, SSAB
(Flat side & Oring side)

SF440A	FL-SQ-H...SSAB..
SS316	FL-SQ-S...SSAB..

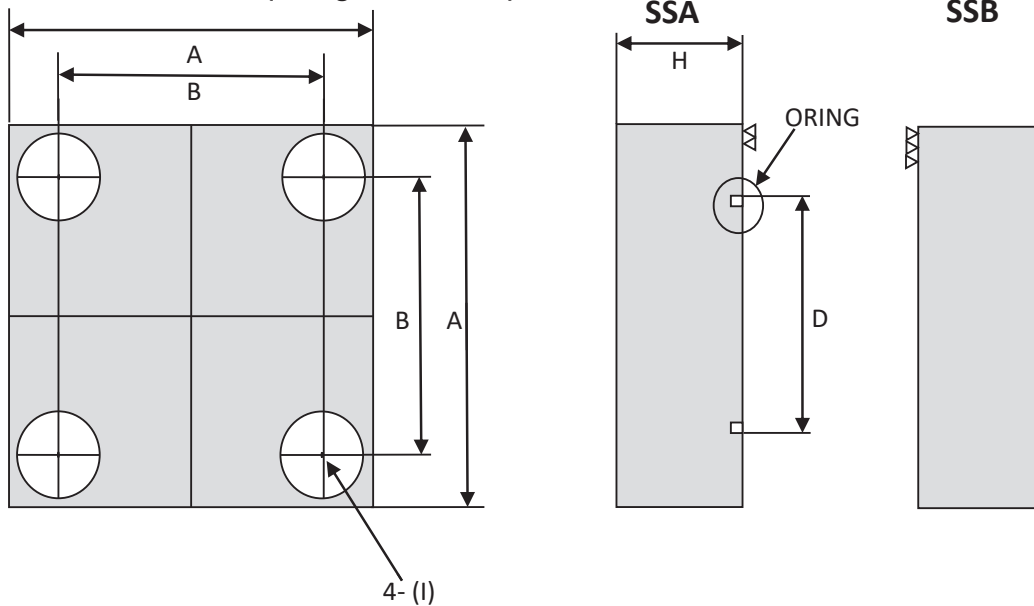
Counter-Flanges, SSA
(Oring side)

SF440A	FL-SQ-H...SSA..
SS316	FL-SQ-S...SSA..

Flanges, SSB
(Flat side)

SF440A	FL-SQ-H...SSB..
SS316	FL-SQ-S...SSB..

BLIND SQUARE FLANGES (210 kg/cm² SSA/SSB)



SSAB (210 KG/CM²)

SIZE	ORING	PART NUMBER (ORING SIDE)	PART NUMBER (FLAT SIDE)	DIMENSIONS						
				A	B	D	H	I	BOLT LENGTH (MINIMUM)	WEIGHT
10	G25	FL-SQ-H-SSA-BL-06	FL-SQ-H-SSB-BL-06	54	36	30	22	11	M10 x 40	1.00 KGS
15	G25	FL-SQ-H-SSA-BL-08	FL-SQ-H-SSB-BL-08	54	36	30	22	11	M10 x 40	1.00 KGS
20	G30	FL-SQ-H-SSA-BL-12	FL-SQ-H-SSB-BL-12	58	40	35	22	11	M10 x 40	1.20 KGS
25	G35	FL-SQ-H-SSA-BL-16	FL-SQ-H-SSB-BL-16	68	48	40	28	13	M12 x 50	1.60 KGS
32	G40	FL-SQ-H-SSA-BL-20	FL-SQ-H-SSB-BL-20	76	56	45	28	13	M12 x 50	2.00 KGS
40	G50	FL-SQ-H-SSA-BL-24	FL-SQ-H-SSB-BL-24	92	65	55	36	18	M16 x 65	3.80 KGS
50	G60	FL-SQ-H-SSA-BL-32	FL-SQ-H-SSB-BL-32	100	73	65	36	18	M16 x 65	4.00 KGS
65	G75	FL-SQ-H-SSA-BL-40	FL-SQ-H-SSB-BL-40	128	92	80	45	22	M20 x 85	8.20 KGS
80	G85	FL-SQ-H-SSA-BL-48	FL-SQ-H-SSB-BL-48	140	103	90	45	24	M22 x 85	9.40 KGS

Designation for Order:

Counter-Flanges, SSA
(Oring side)

SF440A	FL-SQ-H...SSA-BL..
SS316	FL-SQ-S...SSA-BL..

Flanges, SSB
(Flat side)

SF440A	FL-SQ-H...SSB-BL..
SS316	FL-SQ-S...SSB-BL..