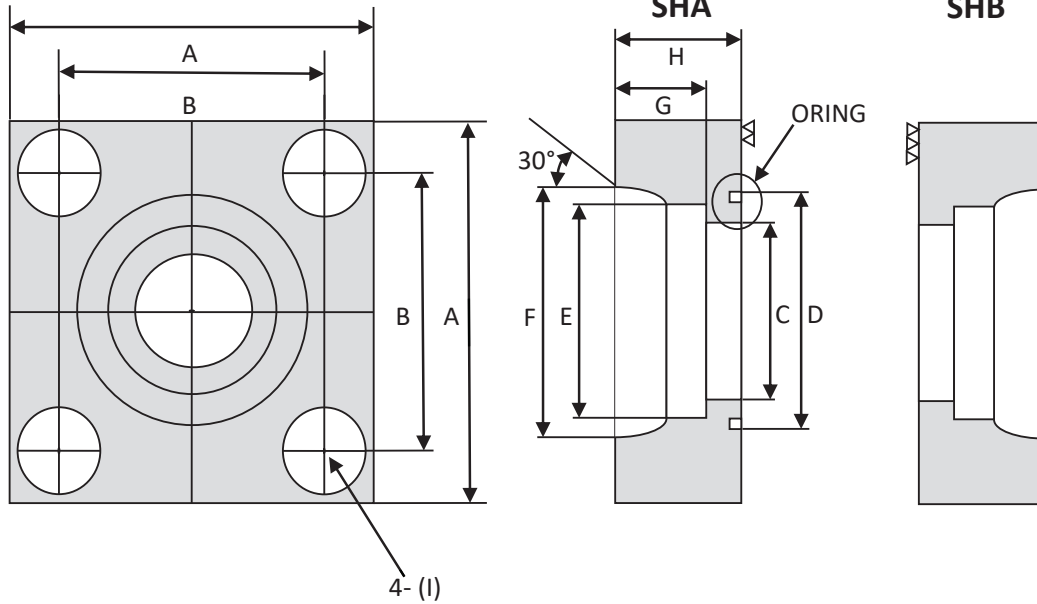


WELD IN SQUARE FLANGES (210 kg/cm² SHAB)



SHAB (210 KG/CM²)

SIZE	ORING	PART NUMBER	DIMENSIONS									BOLT LENGTH (MINIMUM)	WEIGHT
			A	B	C	D	E	F	G	H	I		
8	G25	FL-SQ-H-SHAB-04	63	40	8	30	14.3	24	11	22	11	M10 x 55	1.30 KGS
10	G25	FL-SQ-H-SHAB-06	63	40	11.5	30	17.8	28	11	22	11	M10 x 55	1.30 KGS
15	G25	FL-SQ-H-SHAB-08	63	40	16	30	22.2	32	11	22	11	M10 x 55	1.40 KGS
20	G30	FL-SQ-H-SHAB-12	68	45	20	35	27.7	38	12	22	11	M10 x 55	1.50 KGS
25	G35	FL-SQ-H-SHAB-16	80	53	25	40	34.5	45	14	28	13	M12 x 70	2.60 KGS
32	G40	FL-SQ-H-SHAB-20	90	63	31.5	45	43.2	56	16	28	13	M12 x 70	3.15 KGS
40	G50	FL-SQ-H-SHAB-24	100	70	37.5	55	49.1	63	18	36	18	M16 x 90	5.10 KGS
50	G60	FL-SQ-H-SHAB-32	112	80	47.5	65	61.1	75	20	36	18	M16 x 90	5.90 KGS
65	G75	FL-SQ-H-SHAB-40	140	100	60	80	77.1	95	22	45	22	M20 x 110	11.40 KGS
80	G85	FL-SQ-H-SHAB-48	155	112	71	90	90	108	25	45	24	M22 x 120	14.10 KGS
100	G105	FL-SQ-H-SHAB-64	190	140	87.3	110	115.4	135	28	60	27	M24 x 140	25.50 KGS
125	G130	FL-SQ-H-SHAB-80	230	168	120.8	135	141.2	164	30	65	32	M30 x 170	41.00 KGS
150	G155	FL-SQ-H-SHAB-96	270	195	128.8	165	166.9	193	35	80	39	M36 x 190	68.50 KGS

Designation for Order:

Double Flanges, SHAB
(Flat side & Oring side)

SF440A	FL-SQ-H...SHAB..
SS316	FL-SQ-S...SHAB..

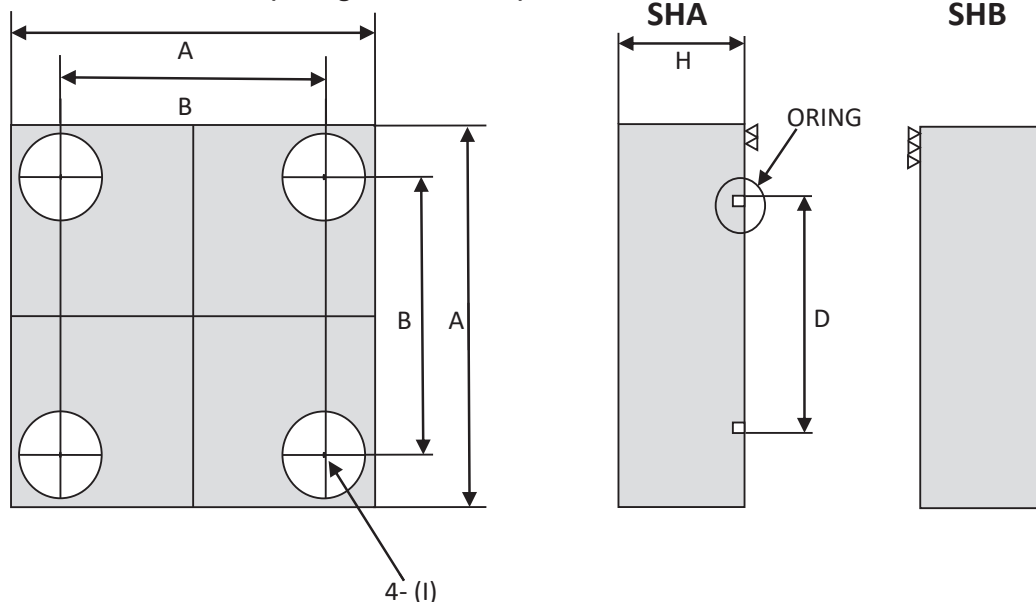
Counter-Flanges, SHA
(Oring side)

SF440A	FL-SQ-H...SHA..
SS316	FL-SQ-S...SHA..

Flanges, SHB
(Flat side)

SF440A	FL-SQ-H...SHB..
SS316	FL-SQ-S...SHB..

BLIND SQUARE FLANGES (210 kg/cm² SHA/SHB)



SHA/SHB (210 KG/CM²)

SIZE	ORING	PART NUMBER (ORING SIDE)	PART NUMBER (FLAT SIDE)	DIMENSIONS						
				A	B	D	H	I	BOLT LENGTH (MINIMUM)	WEIGHT
8	G25	FL-SQ-H-SHA-BL-04	FL-SQ-H-SHB-BL-04	63	40	30	22	11	M10 x 55	1.30 KGS
10	G25	FL-SQ-H-SHA-BL-06	FL-SQ-H-SHB-BL-06	63	40	30	22	11	M10 x 55	1.30 KGS
15	G25	FL-SQ-H-SHA-BL-08	FL-SQ-H-SHB-BL-08	63	40	30	22	11	M10 x 55	1.40 KGS
20	G30	FL-SQ-H-SHA-BL-12	FL-SQ-H-SHB-BL-12	68	45	35	22	11	M10 x 55	1.50 KGS
25	G35	FL-SQ-H-SHA-BL-16	FL-SQ-H-SHB-BL-16	80	53	40	28	13	M12 x 70	2.60 KGS
32	G40	FL-SQ-H-SHA-BL-20	FL-SQ-H-SHB-BL-20	90	63	45	28	13	M12 x 70	3.15 KGS
40	G50	FL-SQ-H-SHA-BL-24	FL-SQ-H-SHB-BL-24	100	70	55	36	18	M16 x 90	5.10 KGS
50	G60	FL-SQ-H-SHA-BL-32	FL-SQ-H-SHB-BL-32	112	80	65	36	18	M16 x 90	5.90 KGS
65	G75	FL-SQ-H-SHA-BL-40	FL-SQ-H-SHB-BL-40	140	100	80	45	22	M20 x 110	11.40 KGS
80	G85	FL-SQ-H-SHA-BL-48	FL-SQ-H-SHB-BL-48	155	112	90	45	24	M22 x 120	14.10 KGS
100	G105	FL-SQ-H-SHA-BL-64	FL-SQ-H-SHB-BL-64	190	140	110	60	27	M24 x 140	25.50 KGS
125	G130	FL-SQ-H-SHA-BL-80	FL-SQ-H-SHB-BL-80	230	168	135	65	32	M30 x 170	41.00 KGS
150	G155	FL-SQ-H-SHA-BL-96	FL-SQ-H-SHB-BL-96	270	195	165	80	39	M36 x 190	68.50 KGS

Designation for Order:

Counter-Flanges, SHA
(Oring side)

SF440A	FL-SQ-H...SHA-BL..
SS316	FL-SQ-S...SHA-BL..

Flanges, SHB
(Flat side)

SF440A	FL-SQ-H...SHB-BL..
SS316	FL-SQ-S...SHB-BL..