



RFS HYDRAULICS
CREATING OPPORTUNITIES



NEEDLE VALVES

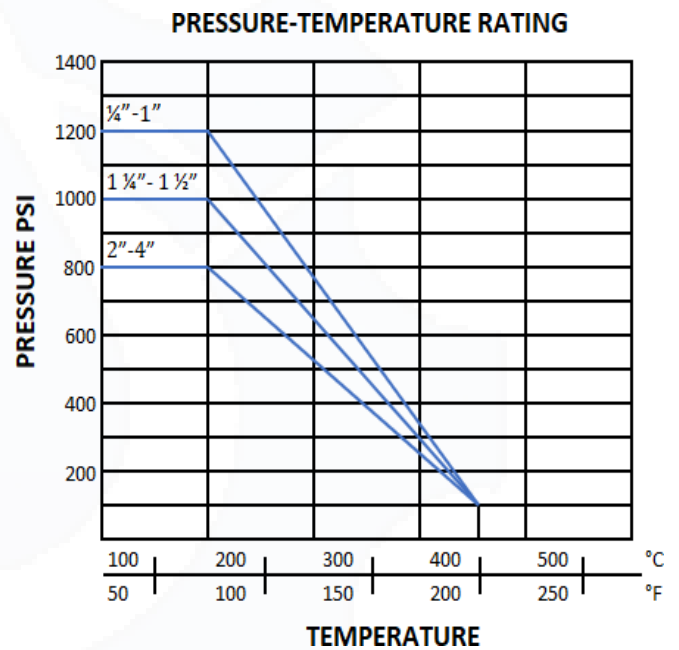
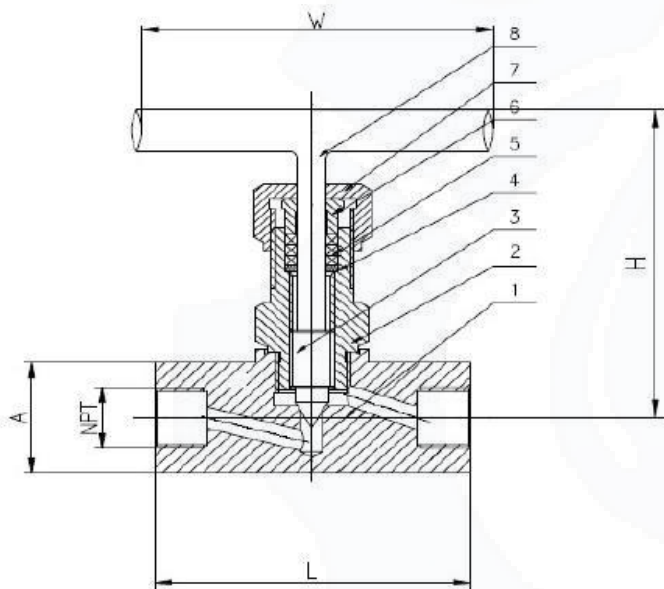
**RFS Needle Valves SS316 6000PSI
FEMALE x FEMALE**

Valve Features

- Size: 1/4" to 1" (DN6 – DN25)
- Working Pressure: 6000 PSI/ 420 BAR
- Material: Stainless Steel SS316
- Threaded End: NPT
- Temperature Range: -15 °C to 150 °C
- Medium: General Oil, Gas & Water



**Female x Female 6000 PSI
Needle Valves**



Material List:

No.	Part Name	Quantity	Material
1.	Body	1	SS316
2.	Stem Core	1	SS316
3.	Stem	1	SS316
4.	Bonnet	1	SS316
5.	Packing Washer	1	PTFE*G15%
6.	Packing	1	PTFE
7.	Lock Nut	1	SS316
8.	Packing Bolt	1	SS316
9.	Set Screw	1	SS304
10.	Bar Handle	1	SS304
11.	Pin	1	SS316

Dimension List:

T (Size) NPT	L	A	H	W	Unit weight (Kg)
1/8"	51	29	86	51	-
1/4"	60	29	86	51	0.46
3/8"	60	29	86	51	0.46
1/2"	67	29	86	51	0.58
3/4"	73	32	96	2"-4"	0.58
1"	83	51	108	51	-

Performance Specifications	
Nominal Strength	6000 PSI
Strength Test Pressure	9000 PSI
Seal Test Pressure	6600 PSI
Working Pressure	-15°C to 150 °C
Applicable Medium	General oil, gas & water

Technical Specification	
Design & Manufacture	GB/T12224-2005
	JB/T7747-2010
Supply Requirements	GB/T12252-2005
Testing	GB/T13927-1992

Part Number Reference:

Part No.	Description
V-N-S-N-02	1/8"NPT SS316 NEEDLE VALVE (6000 PSI)
V-N-S-N-04	1/4"NPT SS316 NEEDLE VALVE (6000 PSI)
V-N-S-N-06	3/8"NPT SS316 NEEDLE VALVE (6000 PSI)
V-N-S-N-08	1/2"NPT SS316 NEEDLE VALVE (6000 PSI)
V-N-S-N-12	3/4"NPT SS316 NEEDLE VALVE (6000 PSI)
V-N-S-N-16	1"NPT SS316 NEEDLE VALVE (6000 PSI)



RFS Hydraulics

Conditions of Use of Catalogue:

The information in the catalogue are not binding and in order to improve distribution, RFS Hydraulics Sdn Bhd reserves the right to make any change including size and pressure ratings considered necessary at any time and without prior notice. According to the copyright and the civil law, any reproduction (also partial) of figures and texts of this catalogue by means of electronic, mechanical, photocopies, microfilms, recordings or other is forbidden without RFS Hydraulics Sdn Bhd's authorization.
Catalogue Version: 2020