



RFS HYDRAULICS
CREATING OPPORTUNITIES



JIC FITTINGS

JIC Fittings

JIC Fitting

37-degree flare seating surface

Dimension Specifications:

SAE J514 & ISO 8434-2

Material Specifications:

Carbon Steel

Stainless Steel



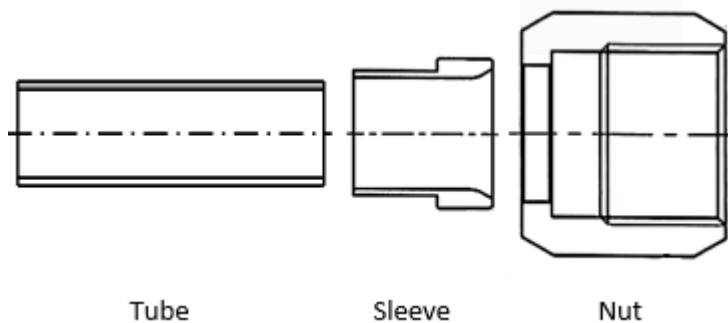
JIC Fittings

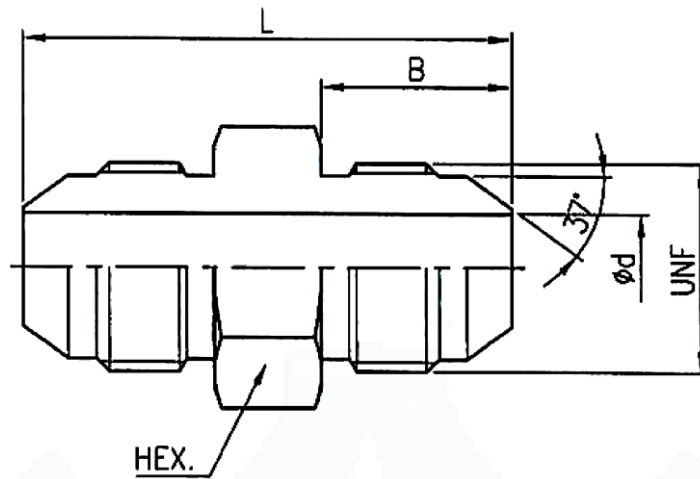
JIC Fitting Working Pressure:

SAE Nominal Size	Tube OD		Union and Bulkheads	
	Inch	MM	Psi	Bar
2	1/8	3	5000	345
3	3/16	4	5000	345
4	1/4	6	5000	345
5	5/16	8	5000	345
6	3/8	10	5000	345
8	1/2	12	4500	310
10	5/8	14/15/16	3500	240
12	3/4	18/20	3500	240
16	1	25	3000	210
20	1 1/4	30/32	2500	170
24	1 1/2	38	2000	140
32	2	50	1500	105

Assembly Procedure (Drawing as follow)

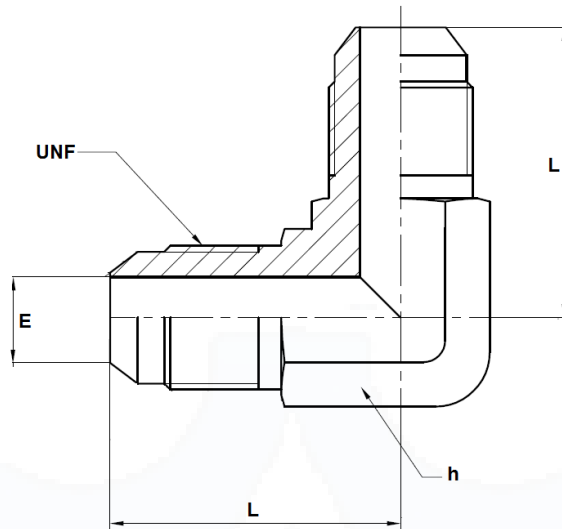
1. Get ready tube with applicable length.
2. Slip in the nut and sleeve onto the tube end.
3. Form the end of the tube to 37 degrees by using flaring tool.
4. Tighten the nut by using spanner & finger until the nut is tight.



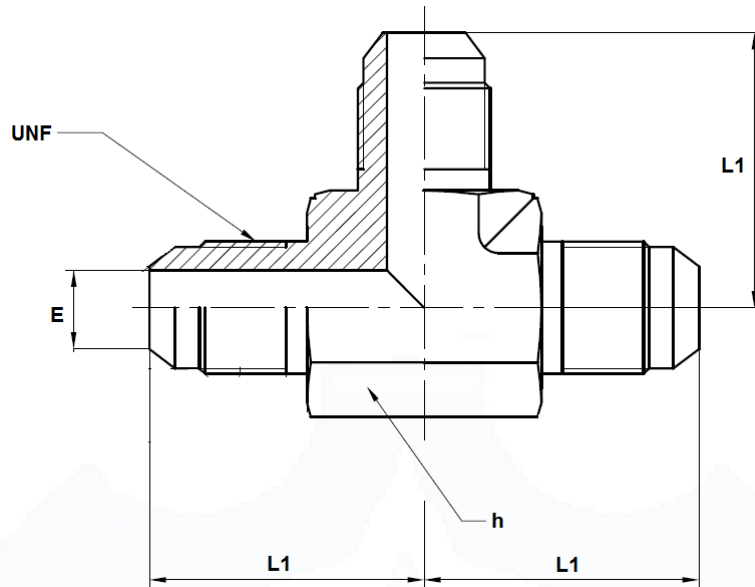
UNION JIC x JIC


Part No	Tube O.D (Inch)	Dimension				
		B	d	L	HEX	UNF
F-J-S-U-02	1/4"	14	4.4	34.8	12.7	7/16"-20
F-J-S-U-02-5	5/16"	14	6	34.8	14.28	1/2"-20
F-J-S-U-03	3/8"	14.1	7.1	35.8	15.87	9/16"-18
F-J-S-U-04	1/2"	16.7	9.9	41.1	*20.64	3/4"-16
F-J-S-U-05	5/8"	19.3	12.3	47.8	*23.81	7/8"-14
F-J-S-U-06	3/4"	21.9	15.5	54.9	28.58	1 1/16"-12
F-J-S-U-10	1"	23.1	21.4	57.2	34.92	1 5/16"-12
F-J-S-U-12	1 1/4"	24.3	27.38	61.7	*42.86	1 5/8"-12
F-J-S-U-14	1 1/2"	27.5	33.3	69.8	50.8	1 7/8"-12

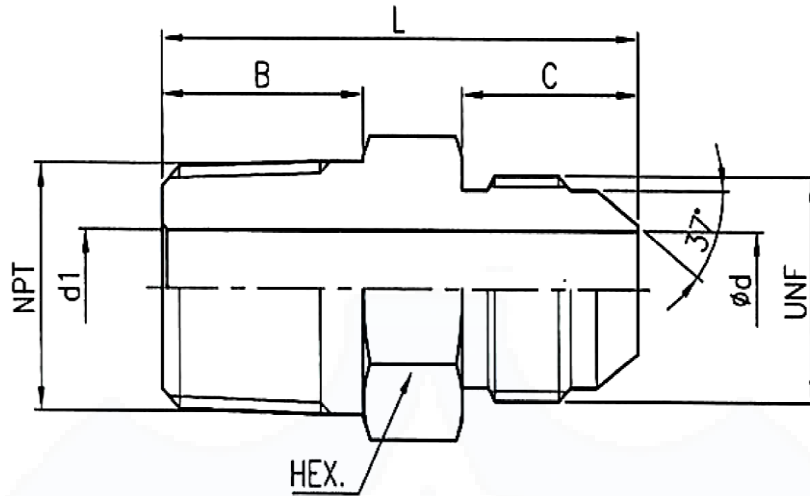
'*' MARK = HEX. SIZE CHANGED

UNION 90D ELBOW JIC x JIC


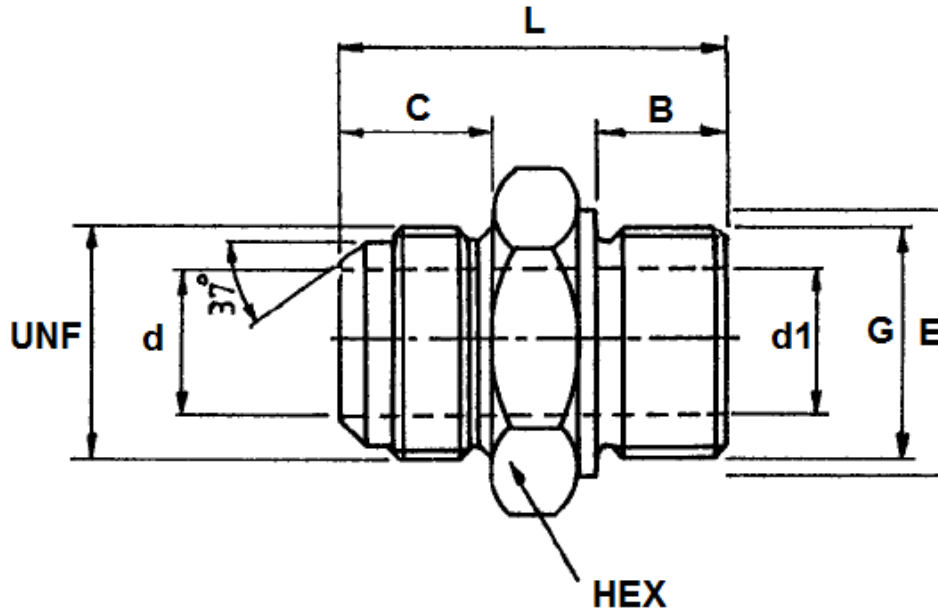
Part No	Tube O.D (Inch)	Dimension			
		E	L	H	UNF
F-J-S-L-02	1/4"	4.4	22.6	11.1	7/16"-20
F-J-S-L-02-5	5/16"	6	24.1	14.2	1/2"-20
F-J-S-L-03	3/8"	7.5	26.9	14.2	9/16"-18
F-J-S-L-04	1/2"	9.9	31.8	19.0	3/4"-16
F-J-S-L-05	5/8"	12.3	36.8	22.2	7/8"-14
F-J-S-L-06	3/4"	15.5	42.2	27.0	1 1/16"-12
F-J-S-L-07	7/8"	18.0	45.7	33.3	1 3/16"-12
F-J-S-L-10	1"	21.5	46.0	33.3	1 5/16"-12
F-J-S-L-12	1 1/4"	37.5	52.3	41.3	1 5/8"-12
F-J-S-L-14	1 1/2"	33.0	59.2	47.6	1 7/8"-12

UNION TEE JIC x JIC x JIC


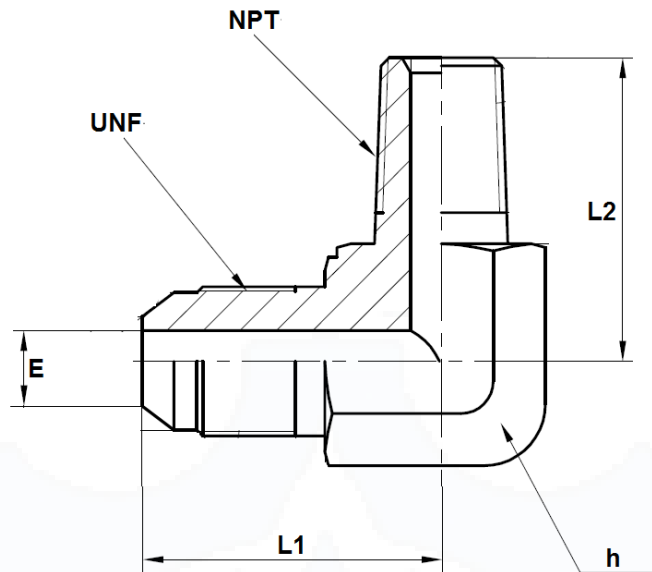
Part No	Tube O.D (Inch)	Dimension			
		E	L1	h	UNF
F-J-S-T-02	1/4"	4.4	22.6	11.11	7/16"-20
F-J-S-T-02-5	5/16"	6.0	24.1	14.27	1/2"-20
F-J-S-T-03	3/8"	7.5	26.9	14.27	9/16"-18
F-J-S-T-04	1/2"	9.9	31.7	19.05	3/4"-16
F-J-S-T-05	5/8"	12.3	36.8	22.22	7/8"-14
F-J-S-T-06	3/4"	15.5	42.2	26.97	1 1/16"-12
F-J-S-T-10	1"	21.5	46.0	33.32	1 5/16"-12
F-J-S-T-12	1 1/4"	27.4	52.3	41.27	1 5/8"-12
F-J-S-T-14	1 1/2"	33.3	59.2	47.6	1 7/8"-12

MALE CONNECTOR JIC x NPT


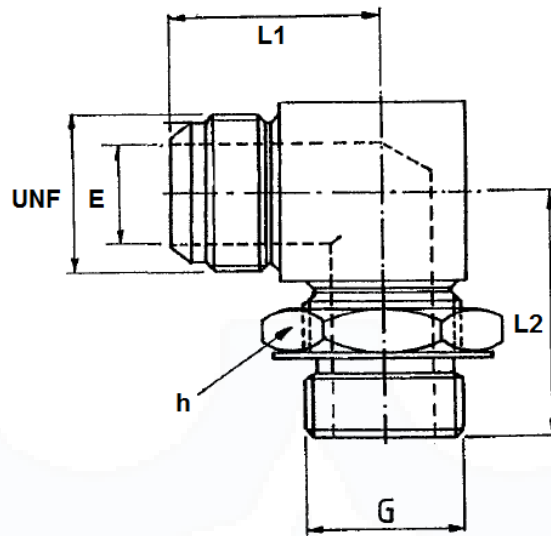
Part No	Tube O.D (Inch)	Dimension							
		B	C	d	d1	L	HEX	NPT	UNF
F-J-S-MC-N-02-02	1/4"	14.2	14	4.4	7.11	36.06	*14.28	1/4"	7/16"-20
F-J-S-MC-N-02-03	1/4"	14.2	14	4.4	10.3	35.58	*19.05	3/8"	9/16"-18
F-J-S-MC-N-02-02-5	5/16"	14.2	14	6	7.11	36.06	*14.28	1/4"	1/2"-20
F-J-S-MC-N-03-02	3/8"	14.2	14.1	7.1	7.1	36.32	15.87	1/4"	9/16"-18
F-J-S-MC-N-03-03	3/8"	14.2	14.1	7.1	7.1	36.58	*19.05	3/8"	9/16"-18
F-J-S-MC-N-04-03	1/2"	14.2	16.7	9.9	9.9	38.86	*20.64	3/8"	3/4"-16
F-J-S-MC-N-04-04	1/2"	19.1	16.7	9.9	13.5	45.21	22.22	1/2"	3/4"-16
F-J-S-MC-N-04-06	1/2"	19.1	16.7	9.9	18.3	47	28.57	3/4"	3/4"-16
F-J-S-MC-N-05-04	5/8"	19.1	19.3	12.3	12.3	48	*23.81	1/2"	7/8"-14
F-J-S-MC-N-05-06	5/8"	19.1	19.3	12.3	18.3	48	28.58	3/4"	7/8"-14
F-J-S-MC-N-06-04	3/4"	19.1	21.9	15.5	13.5	52.32	28.58	1/2"	1 1/16"-12
F-J-S-MC-N-06-06	3/4"	19.1	21.9	15.5	18.3	52.32	28.58	3/4"	1 1/16"-12
F-J-S-MC-N-06-10	3/4"	23.9	21.9	15.5	23.8	57.15	34.92	1"	1 1/16"-12
F-J-S-MC-N-10-12	1"	23.9	23.1	21.4	23.8	58.4	34.9	1 1/4"	1 5/16"-12
F-J-S-MC-N-10-06	1"	23.9	23.1	21.4	19.1	58.4	34.9	3/4"	1 5/16"-12
F-J-S-MC-N-10-10	1"	23.9	23.1	21.4	23.8	58.4	34.9	1"	1 5/16"-12
F-J-S-MC-N-12-10	1 1/4"	23.9	24.3	27.38	23.8	61.47	42.86	1"	1 5/8"-12
F-J-S-MC-N-12-12	1 1/4"	23.9	24.3	27.38	31.75	62.2	42.86	1 1/4"	1 5/8"-12
F-J-S-MC-N-12-14	1 1/4"	26.2	24.3	27.38	38.1	64.78	50.8	1 1/2"	1 5/8"-12
F-J-S-MC-N-14-12	1 1/2"	23.9	27.5	33.3	31.75	67.56	50.8	1 1/4"	1 7/8"-12
F-J-S-MC-N-14-14	1 1/2"	26.2	27.5	33.3	33.3	67.82	50.8	1 1/2"	1 7/8"-12

MALE CONNECTOR JIC x BSPP (WITH SEAL OR WITHOUT SEAL)


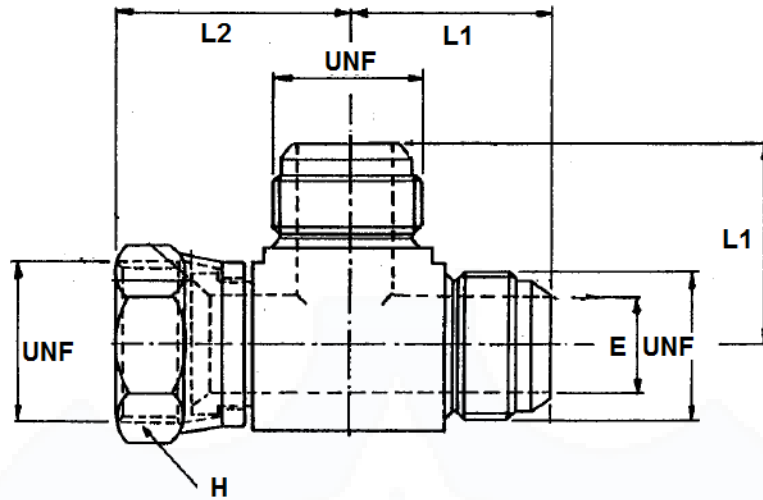
Part No	Tube O.D (Inch)	Dimension								
		B	C	d	d1	E	L	HEX	BSPP	UNF
F-J-S-MC-G-03-02	3/8"	12	14.1	7.1	4.4	18	35.1	19.05	1/4"	9/16"-18
F-J-S-MC-G-03-03	3/8"	12	14.1	7.1	7.1	22	36	22.22	3/8"	9/16"-18
F-J-S-MC-G-04-03	1/2"	12	16.7	9.9	7.5	22	38.7	22.22	3/8"	3/4"-16
F-J-S-MC-G-04-04	1/2"	14	16.7	9.9	9.9	26	42	28.57	1/2"	3/4"-16
F-J-S-MC-G-05-04	5/8"	14	19.3	12.3	11.1	26	44.5	28.57	1/2"	7/8"-14
F-J-S-MC-G-06-06	3/4"	16	21.9	15.5	15.5	32	50.9	*34.92	3/4"	1 1/16"-12
F-J-S-MC-G-06-10	3/4"	18	21.9	15.5	21	39	53.4	41.27	1"	1 1/16"-12
F-J-S-MC-G-10-06	1"	16	23.1	21.4	15.5	32	52.7	34.92	3/4"	1 5/16"-12
F-J-S-MC-G-10-10	1"	18	23.1	21.4	21.4	39	54.7	41.27	1"	1 5/16"-12
F-J-S-MC-G-12-10	1 1/4"	18	24.3	27.38	21.4	39	62.1	44.45	1"	1 5/8"-12
F-J-S-MC-G-12-12	1 1/4"	20	24.3	27.38	27.38	49	60	50.8	1 1/4"	1 5/8"-12
F-J-S-MC-G-12-14	1 1/4"	22	24.3	27.38	33.3	55	63.8	*57.15	1 1/2"	1 5/8"-12
F-J-S-MC-G-14-12	1 1/2"	22	27.5	33.3	33.3	55	65.3	*57.15	1 1/4"	1 7/8"-12
F-J-S-MC-G-14-14	1 1/2"	22	27.5	33.3	33.3	55	67.1	*57.15	1 1/2"	1 7/8"-12

MALE 90D ELBOW JIC x NPT


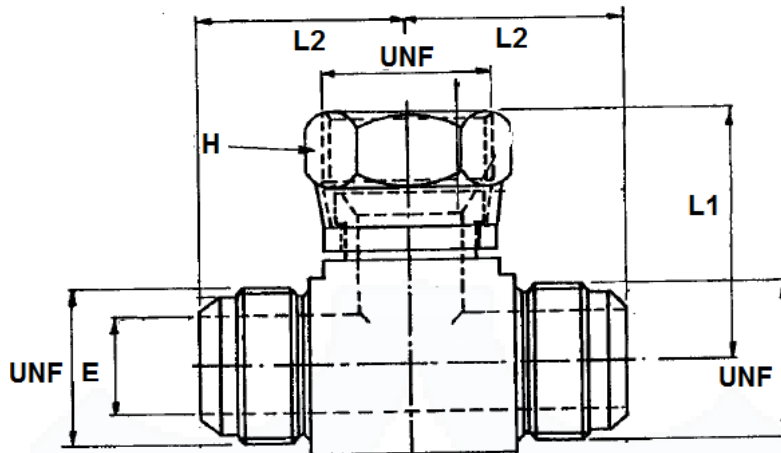
Part No	Tube O.D (Inch)	Dimension					
		E	L1	L2	h	NPT	UNF
F-J-S-L90M-N-02-02	1/4"	4.37	26.7	27.7	14.27	1/4"	7/16"-20
F-J-S-L90M-N-02-03	1/4"	4.37	28.5	31.0	19.05	3/8"	7/16"-20
F-J-S-L90M-N-02-04	1/4"	4.37	30.7	37.3	22.22	1/2"	7/16"-20
F-J-S-L90M-N-02-5-02	5/16"	5.94	26.7	27.7	14.27	1/4"	1/2"-20
F-J-S-L90M-N-02-5-03	5/16"	5.94	28.5	31.0	19.05	3/8"	1/2"-20
F-J-S-L90M-N-02-5-04	5/16"	5.94	30.7	37.3	22.22	1/2"	1/2"-20
F-J-S-L90M-N-03-02	3/8"	7.54	26.9	27.7	14.27	1/4"	9/16"-18
F-J-S-L90M-N-03-03	3/8"	7.54	29.0	31.0	19.05	3/8"	9/16"-18
F-J-S-L90M-N-03-04	3/8"	7.54	31.0	37.3	22.22	1/2"	9/16"-18
F-J-S-L90M-N-04-02	1/2"	9.93	31.7	31.0	19.05	1/4"	3/4"-16
F-J-S-L90M-N-04-03	1/2"	9.93	31.7	31.0	19.05	3/8"	3/4"-16
F-J-S-L90M-N-04-03	1/2"	9.93	33.8	37.3	22.23	1/2"	3/4"-16
F-J-S-L90M-N-05-04	5/8"	12.3	36.8	37.3	22.23	1/2"	7/8"-14
F-J-S-L90M-N-06-04	3/4"	15.5	42.1	40.4	26.97	1/2"	1 1/16"-12
F-J-S-L90M-N-06-06	3/4"	15.5	42.1	40.4	26.97	3/4"	1 1/16"-12
F-J-S-L90M-N-10-06	1"	21.4	46.0	45.2	33.32	3/4"	1 5/16"-12
F-J-S-L90M-N-10-10	1"	21.4	46.0	50.0	33.32	1"	1 5/16"-12

MALE 90D ELBOW JIC x BSPP (POSITIONAL)


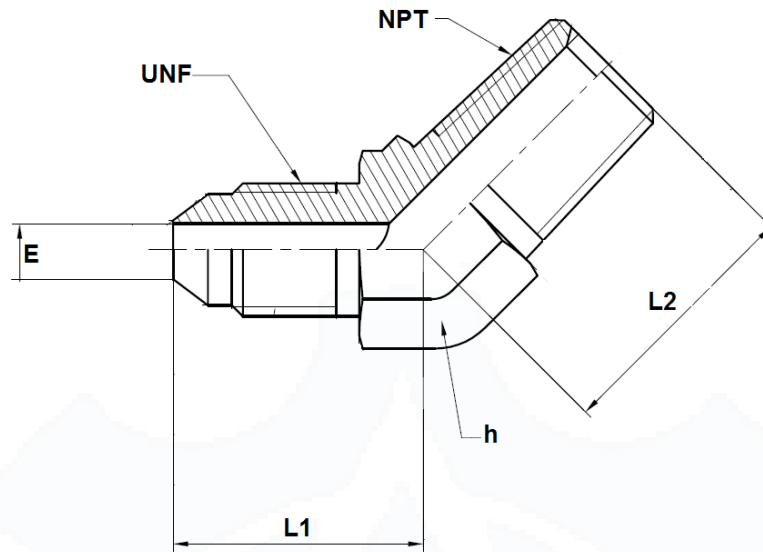
Part No	Tube O.D (Inch)	Dimension					
		E	L1	L2	h	BSPP	UNF
F-J-S-L90M-G-02-02	1/4"	4.37	27.0	31.5	14	1/4"	7/16"-20
F-J-S-L90M-G-02-5-02	5/16"	5.94	27.0	31.0	14	1/4"	1/2"-20
F-J-S-L90M-G-03-02	3/8"	7.54	27.0	31.5	14	1/4"	9/16"-18
F-J-S-L90M-G-03-03	3/8"	7.54	28.5	36.5	19	3/8"	9/16"-18
F-J-S-L90M-G-03-04	3/8"	7.54	31.0	43.0	22	1/2"	9/16"-18
F-J-S-L90M-G-04-03	1/2"	9.93	31.5	36.5	19	3/8"	3/4"-16
F-J-S-L90M-G-04-04	1/2"	9.93	34.0	43.0	22	1/2"	3/4"-16
F-J-S-L90M-G-05-04	5/8"	12.29	36.5	43.0	22	1/2"	7/8"-14
F-J-S-L90M-G-06-04	3/4"	15.47	42.0	45.5	27	1/2"	1 1/16"-12
F-J-S-L90M-G-06-06	3/4"	15.47	42.0	49.0	27	3/4"	1 1/16"-12
F-J-S-L90M-G-10-06	1"	21.44	46.0	52.0	33	3/4"	1 5/16"-12
F-J-S-L90M-G-10-10	1"	21.44	46.0	52.0	33	1"	1 5/16"-12
F-J-S-L90M-G-12-10	1 1/4"	27.38	52.0	57.0	41	1"	1 5/8"-12
F-J-S-L90M-G-12-12	1 1/4"	27.38	52.0	57.0	41	1 1/4"	1 5/8"-12
F-J-S-L90M-G-14-10	1 1/2"	33.32	59.0	61.0	48	1"	1 7/8"-12
F-J-S-L90M-G-14-12	1 1/2"	33.32	59.0	61.0	48	1 1/4"	1 7/8"-12

SWIVEL ADJUSTABLE RUN TEE


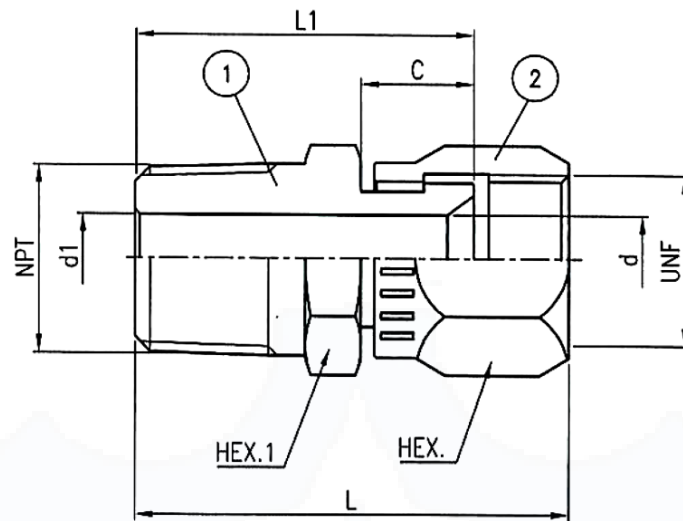
Part No	Tube O.D (Inch)	Dimension				
		E	L1	L2	H	UNF
F-J-S-SRT-02	1/4"	4.4	22.6	16.7	11.11	7/16"-20
F-J-S-SRT-02-5	5/16"	6.0	24.1	17.4	14.27	1/2"-20
F-J-S-SRT-03	3/8"	7.5	26.9	22.2	14.27	9/16"-18
F-J-S-SRT-04	1/2"	9.9	31.7	24.3	19.05	3/4"-16
F-J-S-SRT-05	5/8"	12.3	36.8	28.4	22.22	7/8"-14
F-J-S-SRT-06	3/4"	15.5	42.2	30.2	26.97	1 1/16"-12
F-J-S-SRT-10	1"	21.5	46.0	35.7	33.32	1 5/16"-12
F-J-S-SRT-12	1 1/4"	37.5	52.3	42.8	41.30	1 5/8"-12
F-J-S-SRT-14	1 1/2"	33.	59.2	47.2	47.60	1 5/8"-12

SWIVEL ADJUSTABLE BRANCH TEE


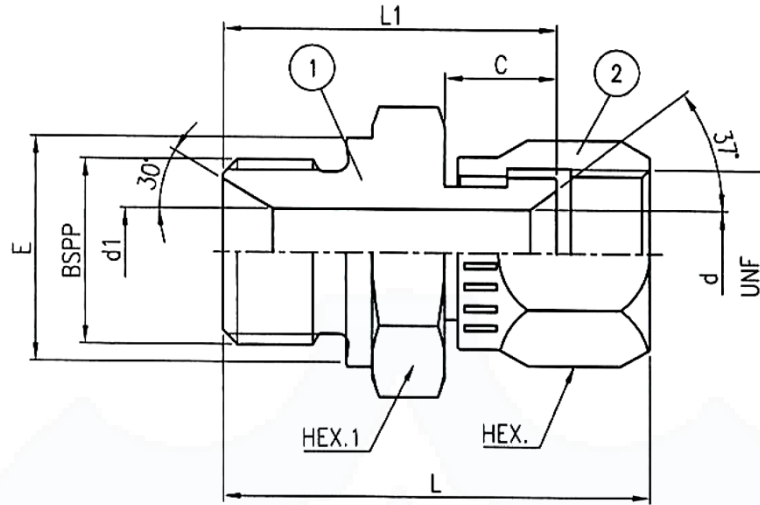
Part No	Tube O.D (Inch)	Dimension				
		E	L1	L2	H	UNF
F-J-S-SBT-02	1/4"	4.4	16.6	22.6	11.11	7/16"-20
F-J-S-SBT-02-5	5/16"	5.9	17.4	24.1	14.27	1/2"-20
F-J-S-SBT-03	3/8"	7.5	22.2	26.9	14.27	9/16"-18
F-J-S-SBT-04	1/2"	9.9	24.3	31.8	19.05	3/4"-16
F-J-S-SBT-05	5/8"	12.3	28.5	36.8	22.22	7/8"-14
F-J-S-SBT-06	3/4"	15.5	30.2	42.2	26.97	1 1/16"-12
F-J-S-SBT-10	1"	21.5	35.7	46.0	33.32	1 5/16"-12

MALE 45D ELBOW JIC x NPT


Part No	Tube O.D (Inch)	Dimension					
		E	L1	L2	h	NPT	UNF
F-J-S-L45M-N-02-02	1/4"	4.37	20.8	21.8	14.27	1/4"	7/16"-20
F-J-S-L45M-N-03-03	3/8"	7.54	22.1	24.1	19.05	3/8"	9/16"-18
F-J-S-L45M-N-04-04	1/2"	9.93	25.1	29.7	22.22	1/2"	3/4"-16
F-J-S-L45M-N-05-04	5/8"	12.3	28.2	29.7	22.23	1/2"	7/8"-14
F-J-S-L45M-N-06-06	3/4"	15.5	32.5	30.5	26.97	3/4"	1 1/16"-12
F-J-S-L45M-N-10-10	1"	21.5	37.3	37.6	35.00	1"	1 5/16"-12

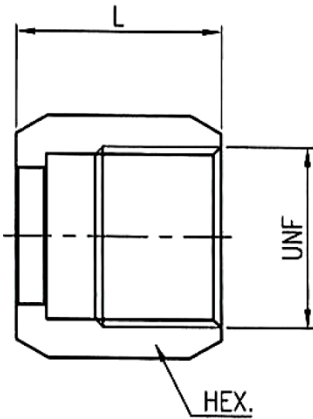
SWIVEL MALE CONNECTOR JIC x NPT


Part No	Tube O.D (Inch)	Dimension								
		C	d	d1	L1	L	HEX 1	HEX	NPT	UNF
F-J-S-US-N-02-02	1/4"	8.4	4.4	4.4	28.4	37.1	*15.87	*15.87	1/4"	7/16"-20
F-J-S-US-N-02-03-05	5/16"	10.6	6	6	30.8	40.3	15.87	*17.46	3/8"	1/2"-20
F-J-S-US-N-03-03	3/8"	10.4	7.1	7.1	30.88	40.38	19.05	*17.46	3/8"	9/16"-18
F-J-S-US-N-04-04	1/2"	12.7	9.9	9.9	38.1	48.8	22.2	*23.81	1/2"	3/4"-16
F-J-S-US-N-05-04	5/8"	12.9	12.3	12.3	39.37	52.07	*23.81	*28.57	1/2"	7/8"-14
F-J-S-US-N-06-04	3/4"	14.9	15.5	11.1	42.9	56.12	*31.75	31.75	1/2"	1 1/16"-12
F-J-S-US-N-06-06	3/4"	14.9	15.5	15.5	42.9	56.12	*31.75	31.75	3/4"	1 1/16"-12
F-J-S-US-N-10-10	1"	14.9	21.4	21.4	48.4	63.5	*38.10	38.1	1"	1 5/16"-12
F-J-S-US-N-12-12	1 1/4"	15.7	27.38	27.38	54.2	70.1	*47.62	50.8	1 1/4"	1 5/8"-12
F-J-S-US-N-14-14	1 1/2"	16.5	33.3	33.3	58.9	77.5	50.8	*57.15	1 1/2"	1 7/8"-12

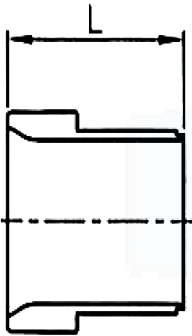
SWIVEL MALE CONNECTOR JIC x BSPP


Part No	Tube O.D (Inch)	Dimension									
		C	d	d1	E	L1	L	HEX 1	HEX	BSPP	UNF
F-J-S-US-G-02-02	1/4"	8.4	4.4	4.4	18	29.2	37.9	19.05	*15.87	1/4"	7/16"-20
F-J-S-US-G-02-03-05	5/16"	10.6	6	6	22	32.3	41.8	22.2	*17.46	3/8"	1/2"-20
F-J-S-US-G-03-03	3/8"	10.4	7.1	7.1	22	32.3	41.8	22.2	*17.46	3/8"	9/16"-18
F-J-S-US-G-04-04	1/2"	12.7	9.9	9.9	26	38	48.8	28.57	*23.81	1/2"	3/4"-16
F-J-S-US-G-05-04	5/8"	12.9	12.3	11.1	26	38.1	50.8	28.57	*28.57	1/2"	7/8"-14
F-J-S-US-G-06-04	3/4"	14.9	15.5	11.1	26	42	56.12	31.75	31.75	1/2"	1 1/16"-12
F-J-S-US-G-06-06	3/4"	14.9	15.5	15.5	32	43.9	58.22	34.92	31.75	3/4"	1 1/16"-12
F-J-S-US-G-10-10	1"	14.9	21.4	21.4	39	46.5	61.6	41.27	38.1	1"	1 5/16"-12
F-J-S-US-G-12-12	1 1/4"	15.7	27.38	27.38	49	51.4	67.3	50.8	50.8	1 1/4"	1 5/8"-12

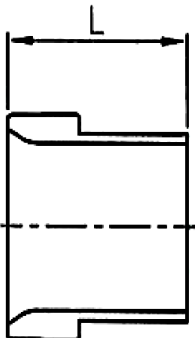
'*' MARK = HEX. SIZE CHANGED

FLARE NUT


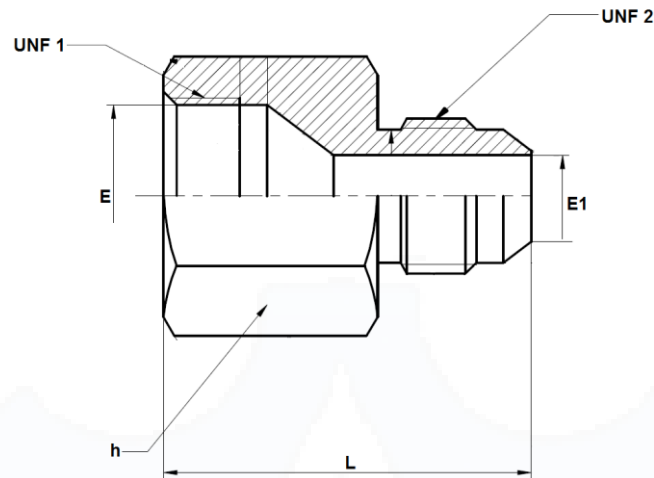
Part No	Tube O.D (Inch)	Tube O.D (MM)	Dimension		
			L	HEX	UNF
F-J-S-N-02	1/4"	6	15.7	14.3	7/16"-20
F-J-S-N-02-5	5/16"	8	17.3	15.9	1/2"-20
F-J-S-N-03	3/8"	10	18.5	17.46	9/16"-18
F-J-S-N-04	1/2"	12	21.6	22.22	3/4"-16
F-J-S-N-05	5/8"	14/15/16	24.9	25.4	7/8"-14
F-J-S-N-06	3/4"	18/20	26.2	31.75	1 1/16"-12
F-J-S-N-10	1"	25	28.7	38.1	1 5/16"-12
F-J-S-N-12	1 1/4"	30,32	31.2	50.8	1 5/8"-12
F-J-S-N-14	1 1/2"	38	36.1	57.15	1 7/8"-12

SLEEVE (METRIC MM)


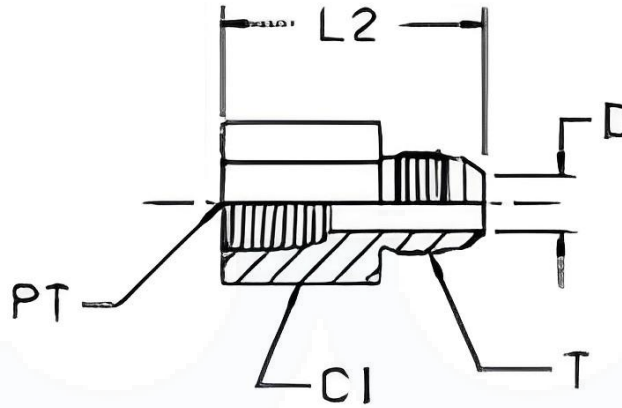
Part No	Tube O.D (MM)	L
F-J-S-S-MM-06	6	10.4
F-J-S-S-MM-08	8	11.2
F-J-S-S-MM-10	10	12.7
F-J-S-S-MM-12	12	14.2
F-J-S-S-MM-14	14	16.8
F-J-S-S-MM-15	15	16.8
F-J-S-S-MM-16	16	16.8
F-J-S-S-MM-18	18	17.3
F-J-S-S-MM-20	20	17.3
F-J-S-S-MM-25	25	19.8
F-J-S-S-MM-30	30	23.1
F-J-S-S-MM-32	32	23.1
F-J-S-S-MM-38	38	28.4

SLEEVE (INCH OD)


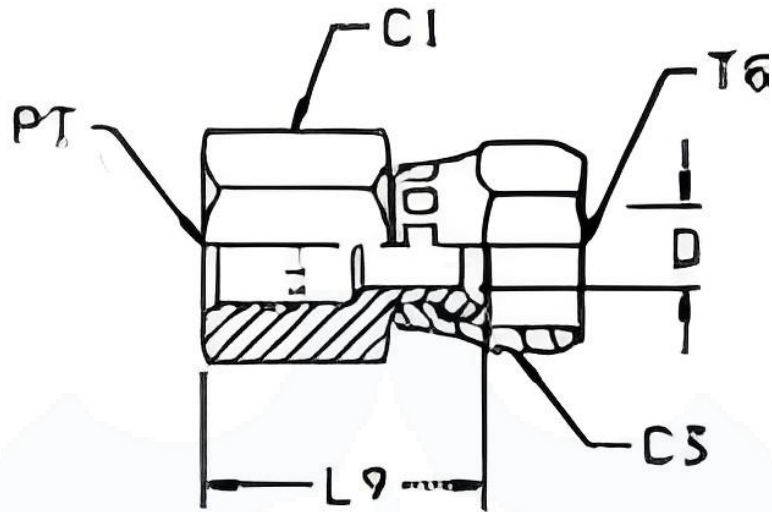
Part No	Tube O.D (Inch)	L
F-J-S-S-IN-02	1/4"	10.4
F-J-S-S-IN-02-5	5/16"	11.2
F-J-S-S-IN-03	3/8"	12.7
F-J-S-S-IN-04	1/2"	14.2
F-J-S-S-IN-05	5/8"	16.8
F-J-S-S-IN-06	3/4"	17.3
F-J-S-S-IN-10	1"	19.8
F-J-S-S-IN-12	1 1/4"	23.1
F-J-S-S-IN-14	1 1/2"	28.4

REDUCER


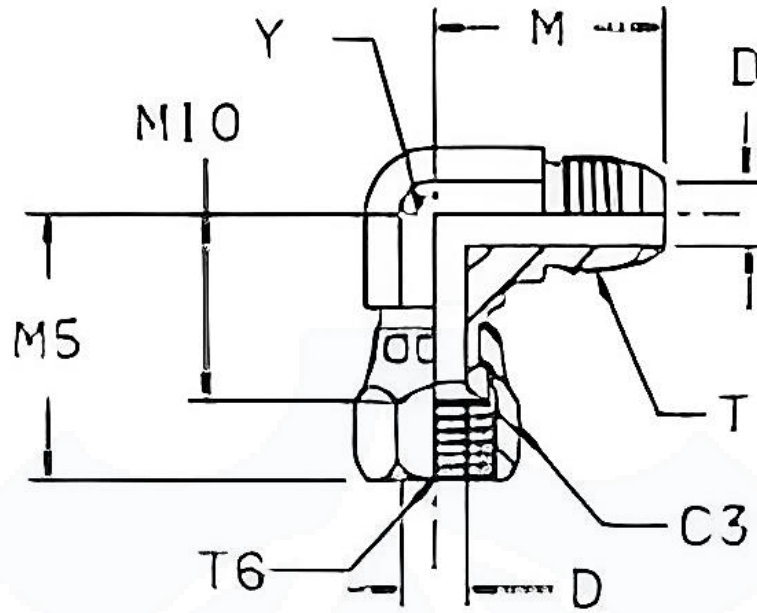
Part No	Tube O.D (Inch)	Dimension					
		E	E1	L	h	UNF 1	UNF 2
F-J-S-R2-02-5-02	5/16" x 1/4"	11.46	4.37	30.23	15.9	1/2"-20	7/16"-20
F-J-S-R2-03-02	3/8" x 1/4"	12.9	4.37	30.15	17.5	9/16"-18	7/16"-20
F-J-S-R2-03-02-5	3/8" x 5/16"	12.9	5.94	30.00	17.5	9/16"-18	1/2"-20
F-J-S-R2-04-02	1/2" x 1/4"	17.5	4.37	33.73	23.8	3/4"-16	7/16"-20
F-J-S-R2-04-02-5	1/2" x 5/16"	17.5	5.94	33.27	23.8	3/4"-16	1/2"-20
F-J-S-R2-04-03	5/8 x 1/4"	17.5	4.37	20.42	25.4	7/8"-14	7/16"-20
F-J-S-R2-05-02	5/8" x 5/16"	20.4	5.94	37.30	25.4	7/8"-14	1/2"-20
F-J-S-R2-05-03	5/8" x 3/8"	20.4	7.54	35.81	25.4	7/8"-14	9/16"-18
F-J-S-R2-05-04	5/8" x 1/2"	20.4	9.93	35.81	25.4	7/8"-14	3/4"-16
F-J-S-R2-06-02	3/4" x 1/4"	24.9	4.37	38.10	31.8	1 1/16"-12	7/16"-20
F-J-S-R2-06-02-5	3/4" x 5/16"	24.9	5.94	38.10	31.8	1 1/16"-12	1/2"-20
F-J-S-R2-06-03	3/4" x 3/8"	24.9	7.54	37.08	31.8	1 1/16"-12	9/16"-18
F-J-S-R2-06-04	3/4" x 1/2"	24.9	9.93	39.62	31.8	1 1/16"-12	3/4"-16
F-J-S-R2-06-05	3/4" x 5/8"	24.9	12.29	41.66	31.8	1 1/16"-12	7/8"-14
F-J-S-R2-10-02	1" x 1/4"	31.22	4.37	42.42	38.1	1 5/16"-12	7/16"-20
F-J-S-R2-10-02-5	1" x 5/16"	31.22	5.94	42.42	38.1	1 5/16"-12	1/2"-20
F-J-S-R2-10-03	1" x 3/8"	31.22	7.54	42.42	38.1	1 5/16"-12	9/16"-18
F-J-S-R2-10-04	1" x 1/2"	31.22	9.93	43.66	38.1	1 5/16"-12	3/4"-16
F-J-S-R2-10-05	1" x 5/8"	31.22	12.29	46.24	38.1	1 5/16"-12	7/8"-14
F-J-S-R2-10-06	1" x 3/4"	31.22	15.47	46.23	38.1	1 5/16"-12	1 1/16"-12
F-J-S-R2-12-10	1 1/4" x 1"	39.14	21.44	50.93	50.8	1 5/8"-12	1 5/16"-12
F-J-S-R2-14-12	1 1/2" x 1 1/4"	45.49	27.38	59.50	57.2	1 7/8"-12	1 5/8"-12

FEMALE CONNECTOR JIC X NPT


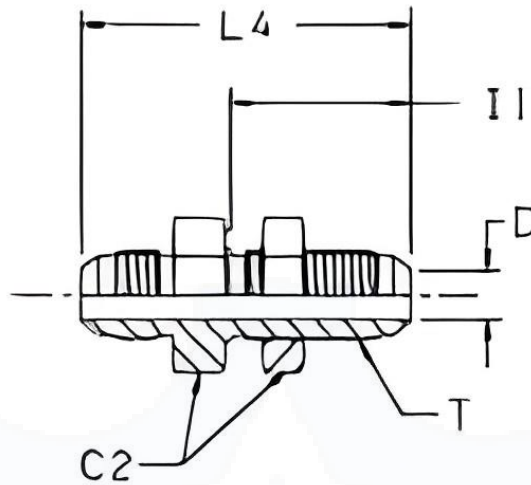
Part No	Tube O.D (Inch)	Dimension				
		C1	D	L2	NPT	UNF
F-J-S-FC-N-02-02	1/4"	19	4	36	1/4"	7/16"-20
F-J-S-FC-N-02-03	1/4"	22	5	37	3/8"	7/16"-20
F-J-S-FC-N-02-02-5	5/16"	19	6	35	1/4"	1/2"-20
F-J-S-FC-N-03-02	3/8"	19	8	36	1/4"	9/16"-18
F-J-S-FC-N-03-03	3/8"	22	8	37	3/8"	9/16"-18
F-J-S-FC-N-03-04	3/8"	29	8	45	1/2"	9/16"-18
F-J-S-FC-N-04-02	1/2"	21	10	36	1/4"	3/4"-16
F-J-S-FC-N-04-03	1/2"	22	10	40	3/8"	3/4"-16
F-J-S-FC-N-04-04	1/2"	29	10	46	1/2"	3/4"-16
F-J-S-FC-N-04-06	1/2"	35	10	48	3/4"	3/4"-16
F-J-S-FC-N-05-04	5/8"	29	12	48	1/2"	7/8"-14
F-J-S-FC-N-05-06	5/8"	35	13	51	3/4"	7/8"-14
F-J-S-FC-N-06-04	3/4"	29	16	49	1/2"	1 1/16"-12
F-J-S-FC-N-06-06	3/4"	35	16	52	3/4"	1 1/16"-12
F-J-S-FC-N-10-10	1"	41	22	59	1"	1 5/16"-12

FEMALE SWIVEL X FEMALE CONNECTOR JIC X NPT


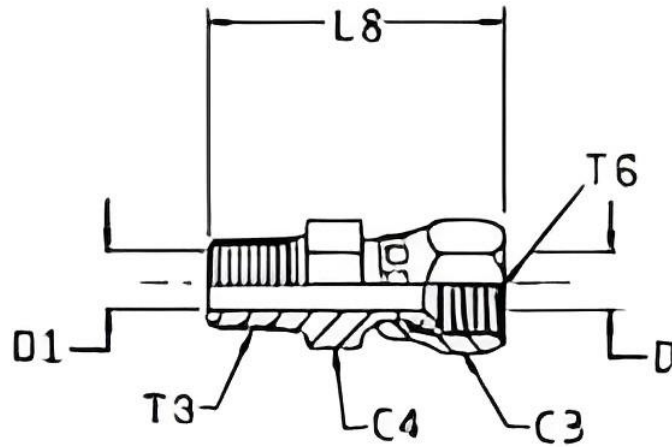
Part No	Tube O.D (Inch)	Dimension					
		C1	C3	D	L9	NPT	UNF (T6)
F-J-S-SFFC-N-02-02	1/4" x 1/4"	19	14	5	27	1/4"-18	7/16"-20
F-J-S-SFFC-N-03-03	3/8" x 3/8"	22	17	7	30	3/8"-18	9/16"-18
F-J-S-SFFC-N-04-04	1/2" x 1/2"	29	22	10	38	1/2"-14	3/4"-16
F-J-S-SFFC-N-05-04	5/8" x 1/2"	29	25	12	37	1/2"-14	7/8"-14
F-J-S-SFFC-N-06-06	3/4" x 3/4"	35	32	16	38	3/4"-14	1 1/16"-12
F-J-S-SFFC-N-10-10	1" x 1"	41	38	21	47	1-11"-1/2	1 5/16"-12

90D SWIVEL ADJUSTABLE ELBOW


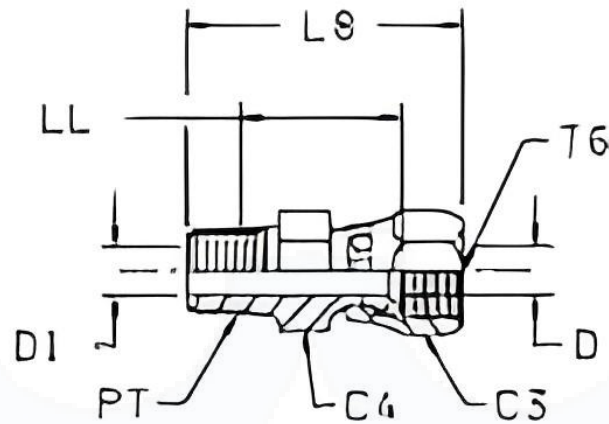
Part No	Tube O.D (Inch)	Dimension						
		C3	D	M	M5	M10	Y	UNF
F-J-H-LA-04	1/2"	22	10	32	35	24	19	3/4"-16
F-J-H-LA-05	5/8"	27	12	37	41	28	22	7/8"-14
F-J-H-LA-06	3/4"	32	16	42	44	30	27	1 1/16" -12
F-J-H-LA-10	1"	38	22	46	51	36	33	1 5/16" -12
F-J-H-LA-12	1 1/4"	50	28	52	59	43	41	1 5/8" -12
F-J-H-LA-14	1 1/2"	57	33	59	66	47	48	1 7/8" -12

BULKHEAD UNION WITH LOCK NUT


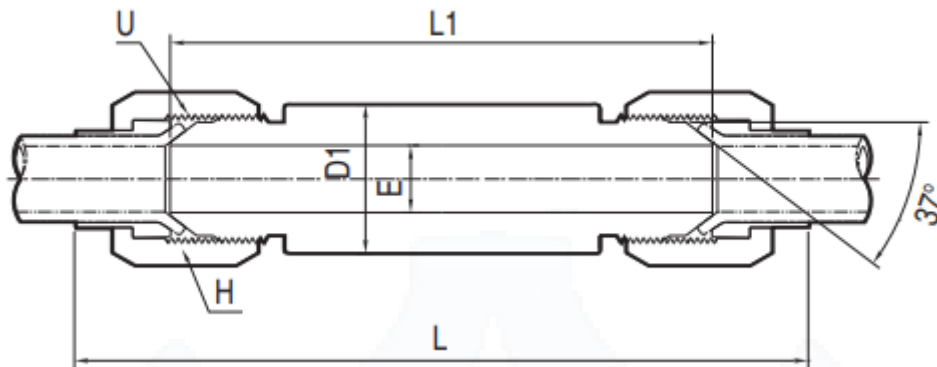
Part No	Tube O.D (Inch)	Dimension				
		C2	D	I1	L4	UNF
F-J-S-BU-CWLN-02	1/4"	17	4	31	53	7/16-20
F-J-S-BU-CWLN-02-5	5/16"	19	6	31	53	1/2-20
F-J-S-BU-CWLN-03	3/8"	22	8	33	55	9/16-18
F-J-S-BU-CWLN-04	1/2"	24	10	37	62	3/4-16
F-J-S-BU-CWLN-05	5/8"	30	12	40	70	7/8-14
F-J-S-BU-CWLN-06	3/4"	36	16	44	79	1 1/16-12
F-J-S-BU-CWLN-07	7/8"	38	18	45	80	1 3/16-12
F-J-S-BU-CWLN-10	1"	41	22	44	80	1 5/16-12

FEMALE SWIVEL x MALE CONNECTOR JIC X BSPP


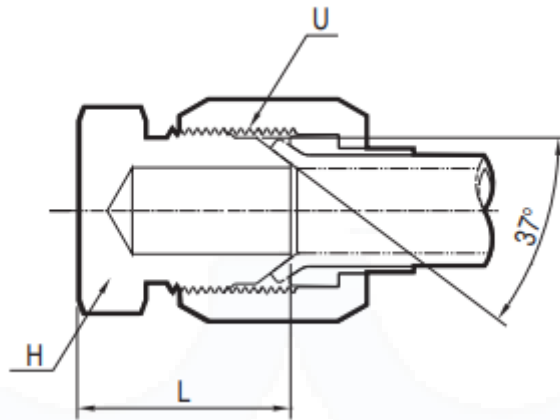
Part No	Tube O.D (Inch)	Dimension						
		C3	C4	D	L1	L8	BSP	UNF (T6)
F-J-S-US-G-02-02	1/4" x 1/4"	16	14	4	4	38	1/4"-19	7/16"-20
F-J-S-US-G-03-03	3/8" x 3/8"	19	19	8	8	41	3/8"-19	9/16"-18
F-J-S-US-G-05-04	5/8" x 1/2"	27	22	12	12	51	1/2"-14	7/8"-14
F-J-S-US-G-06-04	3/4" x 1/2"	32	27	16	14	55	1/2"-14	1 1/16"-12
F-J-S-US-G-06-06	3/4" x 3/4"	32	27	16	16	55	3/4"-14	1 1/16"-12
F-J-S-US-G-10-10	1" x 1"	38	36	22	22	64	1"-11	1 5/16"-12
F-J-S-US-G-12-12	1 1/4" x 1 1/4"	50	46	28	28	69	1 1/4"-11	1 1/4"-11

FEMALE SWIVEL x MALE CONNECTOR JIC X NPT


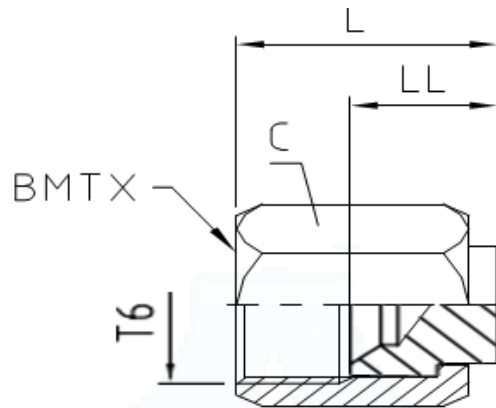
Part No	Tube O.D (Inch)	Dimension							
		C3	C4	D	D1	L8	LL	NPT	UNF (T6)
F-J-S-US-N-02-01	1/4" x 1/8"	14	14	4	4	29	16	1/8"-27	7/16"-20
F-J-S-US-N-02-02	1/4" x 1/4"	14	14	4	4	39	22	1/4"-18	7/16"-20
F-J-S-US-N-02-5-01	5/16" x 1/8"	17	14	6	5	35	16	1/8"-27	1/2"-20
F-J-S-US-N-02-5-02	5/16" x 1/4"	16	16	6	7	40	22	1/4"-18	1/2"-20
F-J-S-US-N-03-01	3/8" x 1/4"	17	17	8	8	40	24	1/4"-18	9/16"-18
F-J-S-US-N-03-03	3/8" x 3/8"	17	19	7	7	40	24	3/8"-18	9/16"-18
F-J-S-US-N-04-03	1/2" x 3/8"	22	22	10	10	43	24	3/8"-18	3/4"-16
F-J-S-US-N-04-02	1/2" x 1/4"	22	19	10	7	44	27	1/4"-18	3/4"-16
F-J-S-US-N-04-04	1/2" x 1/2"	22	22	10	10	50	28	1/2"-14	3/4"-16
F-J-S-US-N-05-04	5/8" x 1/2"	25	25	12	12	52	27	1/2"-14	7/8"-14
F-J-S-US-N-05-03	5/8" x 3/8"	27	22	12	10	47	25	3/8"-18	7/8"-14
F-J-S-US-N-06-04	3/4" x 1/2"	32	27	16	14	55	29	1/2"-14	1 1/16"-12
F-J-S-US-N-06-06	3/4" x 3/4"	32	27	16	16	55	30	3/4"-14	1 1/16"-12
F-J-S-US-N-10-10	1" x 1"	38	36	22	22	64	48	1"-11 1/2	1 5/16"-12
F-J-S-US-N-10-06	1" x 3/4"	38	32	22	18	59	31	3/4"-14	1 5/16"-12
F-J-S-US-N-12-12	1 1/4" x 1 1/4"	50	46	28	28	70	38	1 1/4"-11 1/2	1 5/8"-12
F-J-S-US-N-14-14	1 1/2" x 1 1/2"	58	58	34	34	78	43	1 1/2"-11 1/2	1 7/8"-12

WELDING BULKHEAD


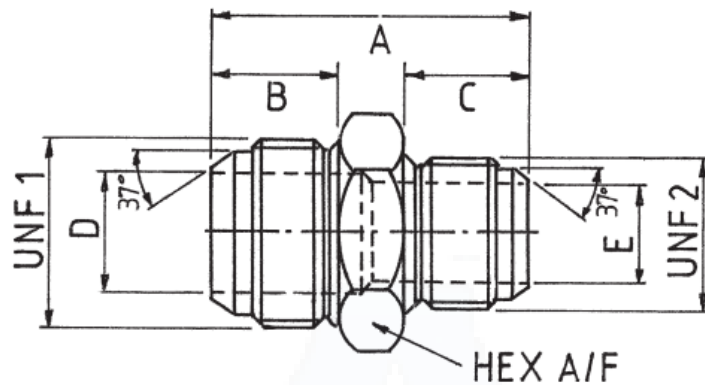
Part No	Tube O.D (Inch)	Dimension					
		E	D1	L	L1	H (HEX)	UNF
F-J-H-BUW-02-5	5/16"	6	16	120.8	100	15.8	1/2"-20
F-J-H-BUW-03	3/8"	7.5	17	123.8	100	17.4	9/16"-18
F-J-H-BUW-04	1/2"	9.9	22	125.4	100	22.2	3/4"-16
F-J-H-BUW-05	5/8"	12.3	25	143.2	110	25.4	7/8"-14
F-J-H-BUW-06	3/4"	15.5	30	151	120	31.7	1 1/16"-12
F-J-H-BUW-10	1"	21.5	40	168	130	38.1	1 5/16"-12
F-J-H-BUW-12	1 1/4"	27.5	46	177	140	50.8	1 5/8"-12
F-J-H-BUW-14	1 1/2"	33	50	193.4	140	57.1	1 7/8"-12

TUBE CAP


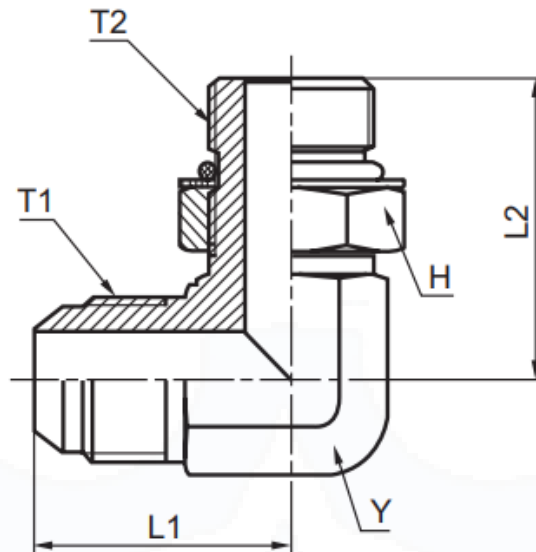
Part No	Tube O.D (Inch)	Dimension		
		H (HEX)	L	UNF
F-J-S-CNS-02	1/4"	14.2	15.5	7/16"-20
F-J-S-CNS-02-5	5/16"	15.8	17	1/2"-20
F-J-S-CNS-03	3/8"	17.4	18.3	9/16"-18
F-J-S-CNS-04	1/2"	22.2	21.3	3/4"-16
F-J-S-CNS-05	5/8"	25.4	24.6	7/8"-14
F-J-S-CNS-06	3/4"	31.7	25.9	1 1/16"-12
F-J-S-CNS-10	1"	38.1	28.4	1 5/16"-12
F-J-S-CNS-12	1 1/4"	50.8	31	1 5/8"-12
F-J-S-CNS-14	1 1/2"	57.1	35.8	1 7/8"-12

TUBE CAP (SWIVEL TYPE)


Part No	Tube O.D (Inch)	Dimension			
		C	LL	L	UNF
F-J-S-CS-02	1/4"	14	9	17	7/16"-20
F-J-S-CS-02-5	5/16"	17	10	20	1/2"-20
F-J-S-CS-03	3/8"	19	12	21	9/16"-18
F-J-S-CS-04	1/2"	22	14	24	3/4"-16
F-J-S-CS-05	5/8"	27	14	27	7/8"-14
F-J-S-CS-06	3/4"	32	17	32	1 1/16"-12
F-J-S-CS-10	1"	41	16	33	1 5/16"-12
F-J-S-CS-12	1 1/4"	50	19	35	1 5/8"-12
F-J-S-CS-14	1 1/2"	60	24	43	1 7/8"-12

REDUCING UNION M X M


Part No	Tube O.D (Inch)	Dimension							
		A	B	C	D	E	UNF 1	UNF 2	HEX
F-J-S-UR-03-02	3/8" x 1/4"	35.2	14.5	14.3	7.5	4.4	9/16"-18	7/16"-20	15.9
F-J-S-UR-03-02-5	3/8" x 5/16"	35.2	14.5	14.3	7.5	5.9	9/16"-18	1/2"-20	15.9
F-J-S-UR-04-02	1/2" x 1/4"	37.8	17.1	14.4	9.9	4.4	3/4"-16	7/16"-20	22.2
F-J-S-UR-04-02-5	1/2" x 5/16"	37.8	17.1	14.3	9.9	5.9	3/4"-16	1/2"-20	22.2
F-J-S-UR-04-03	1/2" x 3/8"	37.9	17.1	14.5	9.9	7.5	3/4"-16	9/16"-18	22.2
F-J-S-UR-05-03	5/8" x 3/8"	42.1	19.6	14.5	12.3	7.5	7/8"-14	9/16"-18	25.6
F-J-S-UR-05-04	5/8" x 1/2"	44.6	19.6	17.1	12.3	9.9	7/8"-14	3/4"-16	25.6
F-J-S-UR-06-04	3/4" x 1/2"	49.1	22.3	17.1	15.5	9.9	1 1/16"-12	3/4"-16	28.6
F-J-S-UR-06-05	3/4" x 5/8"	51.9	22.3	19.6	15.5	12.3	1 1/16"-12	7/8"-14	28.6
F-J-S-UR-10-05	1" x 5/8"	52.4	23.2	19.6	21.4	12.3	1 5/16"-12	7/8"-14	34.9
F-J-S-UR-10-06	1" x 3/4"	56.1	23.2	22.3	21.4	15.5	1 5/16"-12	1 1/16"-12	34.9
F-J-S-UR-12-06	1 1/4" x 3/4"	59.2	24.7	22.3	27.3	15.5	1 5/8"-12	1 1/16"-12	44.4
F-J-S-UR-12-10	1 1/4" x 1"	60.4	24.7	23.5	27.3	21.4	1 5/8"-12	1 5/16"-12	44.4
F-J-S-UR-14-10	1 1/2" x 1"	65.4	27.9	23.5	33.3	21.4	1 7/8"-12	1 5/16"-12	50.8
F-J-S-UR-14-12	1 1/2" x 1 1/4"	66.6	27.9	24.7	33.3	27.3	1 7/8"-12	1 5/8"-12	50.8

MALE 90D ELBOW JIC x SAE (POSITIONAL)


Part No	Tube O.D (Inch)	Dimension		
		L1	L2	UNF (T1, T2)
F-J-S-L90M-N-AO-02-5	5/16"	24	29	1/2"-20
F-J-S-L90M-N-AO-03	3/8"	27	32	9/16"-18
F-J-S-L90M-N-AO-04	1/2"	32	37	3/4"-16
F-J-S-L90M-N-AO-05	5/8"	37	43	7/8"-14
F-J-S-L90M-N-AO-06	3/4"	42	49	1 1/16"-12
F-J-S-L90M-N-AO-10	1"	46	52	1 5/16"-12
F-J-S-L90M-N-AO-12	1 1/4"	52	57	1 5/8"-12
F-J-S-L90M-N-AO-14	1 1/2"	59	61	1 7/8"-12

RFS Hydraulics Sdn Bhd

Address : Menara UOA Bangsar, A-25-02, No. 5, Jalan Bangsar Utama 1,
59000 Kuala Lumpur, Malaysia

Telephone Number : +603 2201 9059

Email Address : info@rfshydraulics.com

Website : www.rfshydraulics.com

Business Registration Number : 1312576-W

Country of Registration : Malaysia

Conditions of Use of Catalogue:

The information in the catalogue are not binding and in order to improve distribution, RFS Hydraulics Sdn Bhd reserves the right to make any change including size and pressure ratings considered necessary at any time and without prior notice. According to the copyright and the civil law, any reproduction (also partial) of figures and texts of this catalogue by means of electronic, mechanical, photocopies, microfilms, recordings or other is forbidden without RFS Hydraulics Sdn Bhd's authorization.

Catalogue Version: 2020