



RFS HYDRAULICS
CREATING OPPORTUNITIES



SAE BLIND FLANGES

Specifications

SAE-J518/ISO 6162, Hydraulic flanged tube, pipe and hose connections, four-bolt split flange type

Material Specifications:

ST52.3
SS316

Size Range:

Code 61 (Series 3000): 3/8"NB – 5"NB
Code 62 (Series 6000): 3/8"NB – 3"NB

Working Pressure:

Code 61 (Series 3000): 34 – 345 Bar
Code 62 (Series 6000): 200 – 414 Bar

Temperature:

Carbon steel: -40°C - +120°C

Stainless steel: -60°C - +50°C

Working pressure for material stainless steel shall be reduced if exceed certain temperature:

40% above +50°C to < +100°C

11% above +100°C to < +200°C

20% above +200°C to < +250°C

Orings:

NBR (Standard), Viton (Optional)

Flange Screws:

Metric screws according to DIN 912-8.8 (Standard)

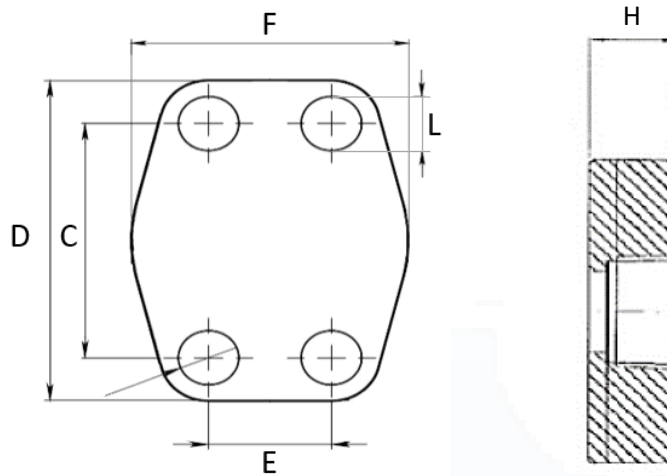
Metric screws according to DIN 912-10.9 (Optional)



Hydraulic SAE Blind Flanges

SAE Flange Recommended Torque Values

Code 61 (Series 3000)		Code 62 (Series 6000)	
Flange Size	Recommended Torque Range N/m	Flange Size	Recommended Torque Range N/m (+10% -0)
1/2"	32	1/2"	32
3/4"	70	3/4"	70
1"	70	1"	130
1 1/4"	70	1 1/4"	130
1 1/2"	130	1 1/2"	295
2"	130	2"	550
2 1/2"	130	2 1/2"	550
3"	295	3"	650
3 1/2"	295		
4"	295		
5"	295		

BLIND FLANGES

Series 3000

WP (Bar)	Size	Type	Dimensions						
			C	D	E	F	H	L	Screws
345	1/2"	AFC080	38.10	56	17.48	46	16	9	M8 x 30
345	3/4"	AFC100	47.63	65	22.23	50	16	11	M10 x 35
345	1"	AFC102	52.37	70	26.19	60	19	11	M10 x 35
276	1 1/4"	AFC104	58.72	79	30.18	68	18	11.5	M10 x 40
207	1 1/2"	AFC106	69.85	93	35.71	78	20	13.5	M12 x 45
207	2"	AFC108	77.77	102	42.88	90	20	13.5	M12 x 45
172	2 1/2"	AFC110	88.90	114	50.80	105	20	13.5	M12 x 45
138	3"	AFC112	106.38	134	61.93	124	24	17.5	M16 x 50
34	3 1/2"	AFC114	120.65	152	69.85	136	22	17.5	M16 x 50
34	4"	AFC116	130.18	162	77.77	146	25	17.5	M16 x 50
34	5"	AFC118	152.40	190	92.08	170	28	17.5	M16 x 55

Series 6000

WP (Bar)	Size	Type	Dimensions						
			C	D	E	F	H	L	Screws
414	1/2"	AFC401	40.49	56	18.24	48	16	9	M8 x 30
414	3/4"	AFC402	50.80	71	23.80	60	19	11	M10 x 35
414	1"	AFC403	57.15	81	27.76	70	24	13	M12 x 45
414	1 1/4"	AFC404	66.68	95	31.75	78	27	15	M14 x 45
414	1 1/4"	AFC404L13	66.68	95	31.75	78	27	13.5	M12 x 45
414	1 1/2"	AFC405	79.38	112	36.50	94	30	17	M16 x 55
414	2"	AFC406	96.82	134	44.45	114	30	21	M20 x 60
414	2 1/2"	AFC507	123.80	180	58.70	152	45	26	M24 x 80
414	3"	AFC508	152.40	208	71.40	178	55	33	M30 x 100

Designation For Order

Counter-Flanges		Flanges	
(Flat side)		(Oring side)	
ST52.3	GFC...	ST52.3	AFC...
SS316	GFCX...	SS316	AFCX...

RFS Hydraulics

Conditions of Use of Catalogue:

The information in the catalogue are not binding and in order to improve distribution, RFS Hydraulics Sdn Bhd reserves the right to make any change including size and pressure ratings considered necessary at any time and without prior notice. According to the copyright and the civil law, any reproduction (also partial) of figures and texts of this catalogue by means of electronic, mechanical, photocopies, microfilms, recordings or other is forbidden without RFS Hydraulics Sdn Bhd's authorization.
Catalogue Version: 2020