



RFS HYDRAULICS
CREATING OPPORTUNITIES



FORGED PIPE FITTINGS

RFS Pipe Fittings

Specifications

ASME B16.11, MSS-SP-79\83\95\97 & BS3799 standards

Material Specifications:

A105

SS316

Size Range:

3M: 1/8"NB – 4"NB

6M: 1/8"NB – 4"NB

Working Pressure:

3M: 3000 PSI

6M: 6000 PSI

Connection:

Threaded End

Socket Welded End



Forged Pipe Fittings

Pipe Schedule

Pressure Class	Connection	Pipe Schedule
3000LB	Threaded	SCH 160
6000LB	Threaded	SCH XXS
3000LB	Socket Welded	SCH 80
6000LB	Socket Welded	SCH 160

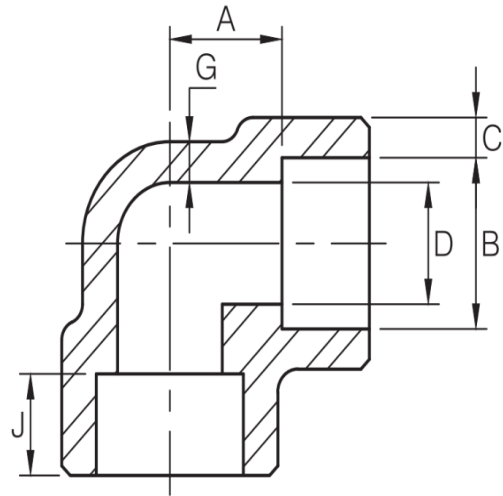
The table above is only for reference purposes and is not compulsory to strictly follow the pipe schedule and fitting class pressure. Calculation of minimum pipe wall thickness shall include application pressure design and all applicable additional factors such as corrosion, threaded depth, surrounding temperature and environment factor.

Ordering Information

FP	-	C	-	T	-	SW	-	3	-	08
I		II		III		IV		V		VI

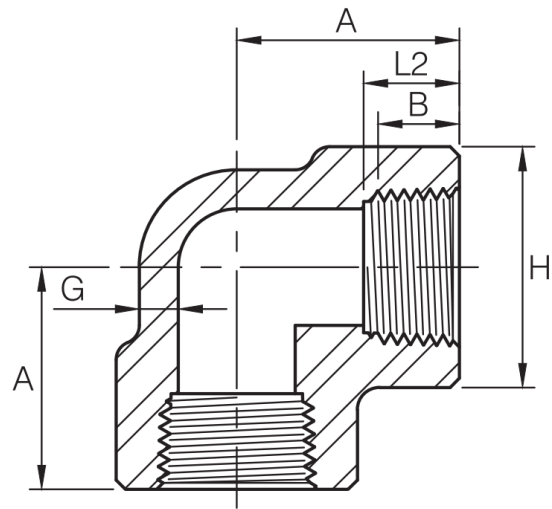
I	Type of Item				
FP	Pipe Fittings				
II	Material Grade				
S	SS316/SS316L				
C	A105				
III	Item				
L90	90° Elbow		PH	Hex Head Plug	
L45	45° Elbow		BH	Hex Bush	
T	Tee		LS	Street Elbow	
CF	Full Coupling		B	Boss	
CH	Half Coupling		NH	Hex Nipple	
C	Cap		U	Union	
IV	Connection Type				
SW	S/W		G	BSPP	
N	NPT				
V	Pressure				
3	3000 PSI				
6	6000 PSI				

VI	Size						
Size	1/8"	1/4"	5/16"	3/8"	1/2"	5/8"	3/4"
Code	02	04	05	06	08	10	12
Size	1"	1 1/4"	1 1/2"	2"	2 1/2"	3"	4"
Code	16	20	24	32	40	48	64

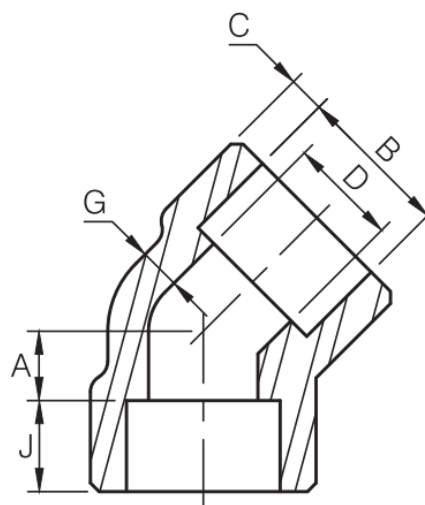
90D ELBOW (SOCKET WELDED)


3000Lb								
SOCKET WELDING								
DN	NOM. PIPE SIZE	B	C		D	A	G (MIN)	J (MIN)
			(AVG)	(MIN)				
6	1/8	10.8	3.18	3.18	6.9	11	2.41	9.5
8	1/4	14.2	3.78	3.3	9.3	11	3.02	9.5
10	3/8	17.6	4.01	3.5	12.6	13.5	3.2	9.5
15	1/2	21.8	4.67	4.09	15.8	15.5	3.73	9.5
20	3/4	27.2	4.9	4.27	21	19	3.91	12.5
25	1	33.9	5.69	4.98	26.7	22.5	4.55	12.5
32	1 1/4	42.7	6.07	5.28	35.1	27	4.85	12.5
40	1 1/2	48.8	6.35	5.54	40.9	32	5.08	12.5
50	2	61.2	6.93	6.04	52.5	38	5.54	16
65	2 1/2	73.9	8.76	7.67	62.7	41	7.01	16
80	3	89.8	9.52	8.3	78	57	7.62	16
100	4	115.2	10.69	9.35	102.3	66.5	8.56	19

6000Lb								
SOCKET WELDING								
DN	NOM. PIPE SIZE	B	C		D	A	G (MIN)	J (MIN)
			(AVG)	(MIN)				
6	1/8	10.8	3.96	3.43	4	11	3.15	9.5
8	1/4	14.2	4.6	4.01	6.4	13.5	3.68	9.5
10	3/8	17.6	5.03	4.37	9.2	15.5	4.01	9.5
15	1/2	21.8	5.97	5.18	11.8	19	4.78	9.5
20	3/4	27.2	6.96	6.04	15.6	22.5	5.56	12.5
25	1	33.9	7.92	6.93	20.7	27	6.35	12.5
32	1 1/4	42.7	7.92	6.93	29.5	32	6.35	12.5
40	1 1/2	48.8	8.92	7.8	34	38	7.14	12.5
50	2	61.2	10.92	9.5	42.9	41	8.74	16

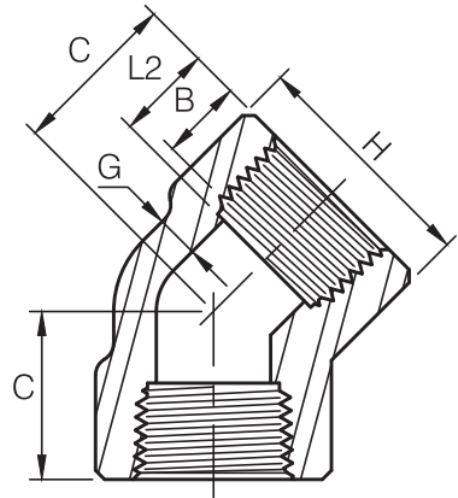
90D ELBOW (THREADED)


3000lb						
THREADED						
DN	NOM. PIPE SIZE	LENGTH OF THREAD. (MIN)		A	G (MIN)	H
		B	L2			
6	1/8	6.4	6.7	21	3.18	22
8	1/4	8.1	10.2	25	3.3	25
10	3/8	9.1	10.4	28	3.51	33
15	1/2	10.9	13.6	33	4.09	38
20	3/4	12.7	13.9	38	4.32	46
25	1	14.7	17.3	44	4.98	56
32	1 1/4	17	18	51	5.28	62
40	1 1/2	17.8	18.4	60	5.56	75
50	2	19	19.2	64	7.14	84
65	2 1/2	23.6	28.9	83	7.65	102
80	3	25.9	30.5	95	8.84	121
100	4	27.7	33	114	11.18	152
6000lb						
THREADED						
DN	NOM. PIPE SIZE	LENGTH OF THREAD. (MIN)		A	G (MIN)	H
		B	L2			
6	1/8	6.4	6.7	25	6.35	25
8	1/4	8.1	10.2	28	6.6	33
10	3/8	9.1	10.4	33	6.98	38
15	1/2	10.9	13.6	38	8.15	46
20	3/4	12.7	13.9	44	8.53	56
25	1	14.7	17.3	51	9.93	62
32	1 1/4	17	18	60	10.59	75
40	1 1/2	17.8	18.4	64	11.07	84
50	2	19	19.2	83	12.09	102
65	2 1/2	23.6	28.9	95	15.29	121
80	3	25.9	30.5	106	16.64	146
100	4	27.7	33	114	18.67	152

45D ELBOW (SOCKET WELDED)


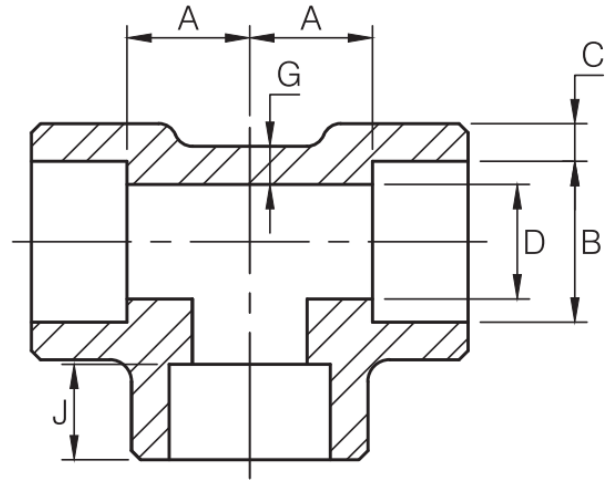
3000Lb								
SOCKET WELDING								
DN	NOM. PIPE SIZE	B	C		D	A	G (MIN)	J (MIN)
			(AVG)	(MIN)				
6	1/8	10.8	3.18	3.18	6.9	8	2.41	9.5
8	1/4	14.2	3.78	3.3	9.3	8	3.02	9.5
10	3/8	17.6	4.01	3.5	12.6	8	3.2	9.5
15	1/2	21.8	4.67	4.09	15.8	11	3.73	9.5
20	3/4	27.2	4.9	4.27	21	13	3.91	12.5
25	1	33.9	5.69	4.98	26.7	14	4.55	12.5
32	1 1/4	42.7	6.07	5.28	35.1	17.5	4.85	12.5
40	1 1/2	48.8	6.35	5.54	40.9	20.5	5.08	12.5
50	2	61.2	6.93	6.04	52.5	25.5	5.54	16
65	2 1/2	73.9	8.76	7.67	62.7	28.5	7.01	16
80	3	89.8	9.52	8.3	78	32	7.62	16
100	4	115.2	10.69	9.35	102.3	41	8.56	19

6000Lb								
SOCKET WELDING								
DN	NOM. PIPE SIZE	B	C		D	A	G (MIN)	J (MIN)
			(AVG)	(MIN)				
6	1/8	10.8	3.96	3.43	4	8	3.15	9.5
8	1/4	14.2	4.6	4.01	6.4	8	3.68	9.5
10	3/8	17.6	5.03	4.37	9.2	11	4.01	9.5
15	1/2	21.8	5.97	5.18	11.8	12.5	4.78	9.5
20	3/4	27.2	6.96	6.04	15.6	14	5.56	12.5
25	1	33.9	7.92	6.93	20.7	17.5	6.35	12.5
32	1 1/4	42.7	7.92	6.93	29.5	20.5	6.35	12.5
40	1 1/2	48.8	8.92	7.8	34	25.5	7.14	12.5
50	2	61.2	10.92	9.5	42.9	28.5	8.74	16

45D ELBOW (THREADED)


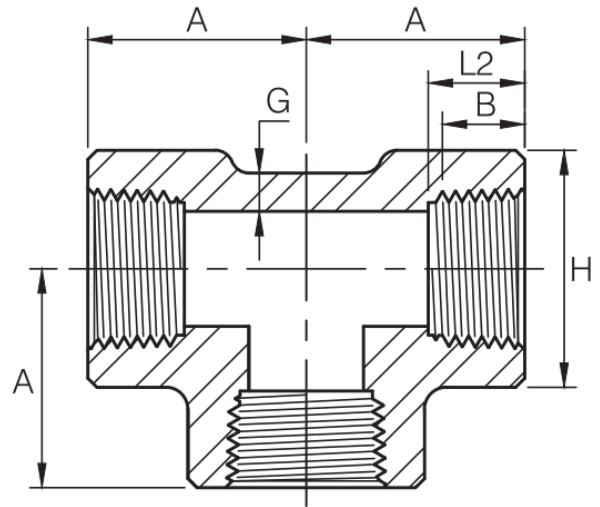
3000Lb						
THREADED						
DN	NOM. PIPE SIZE	LENGTH OF THREAD. (MIN)		C	G (MIN)	H
		B	L2			
6	1/8	6.4	6.7	17	3.18	22
8	1/4	8.1	10.2	19	3.3	25
10	3/8	9.1	10.4	22	3.51	33
15	1/2	10.9	13.6	25	4.09	38
20	3/4	12.7	13.9	28	4.32	46
25	1	14.7	17.3	33	4.98	56
32	1 1/4	17	18	35	5.28	62
40	1 1/2	17.8	18.4	43	5.56	75
50	2	19	19.2	44	7.14	84
65	2 1/2	23.6	28.9	52	7.65	102
80	3	25.9	30.5	64	8.84	121
100	4	27.7	33	79	11.18	152

6000Lb						
THREADED						
DN	NOM. PIPE SIZE	LENGTH OF THREAD. (MIN)		C	G (MIN)	H
		B	L2			
6	1/8	6.4	6.7	19	6.35	25
8	1/4	8.1	10.2	22	6.6	33
10	3/8	9.1	10.4	25	6.98	38
15	1/2	10.9	13.6	28	8.15	46
20	3/4	12.7	13.9	33	8.53	56
25	1	14.7	17.3	35	9.93	62
32	1 1/4	17	18	43	10.59	75
40	1 1/2	17.8	18.4	44	11.07	84
50	2	19	19.2	52	12.09	102
65	2 1/2	23.6	28.9	64	15.29	121
80	3	25.9	30.5	79	16.64	146
100	4	27.7	33	79	18.67	152

TEE (SOCKET WELDED)


3000Lb								
SOCKET WELDING								
DN	NOM. PIPE SIZE	B	C		D	A	G (MIN)	J (MIN)
			(AVG)	(MIN)				
6	1/8	10.8	3.18	3.18	6.9	11	2.41	9.5
8	1/4	14.2	3.78	3.3	9.3	11	3.02	9.5
10	3/8	17.6	4.01	3.5	12.6	13.5	3.2	9.5
15	1/2	21.8	4.67	4.09	15.8	15.5	3.73	9.5
20	3/4	27.2	4.9	4.27	21	19	3.91	12.5
25	1	33.9	5.69	4.98	26.7	22.5	4.55	12.5
32	1 1/4	42.7	6.07	5.28	35.1	27	4.85	12.5
40	1 1/2	48.8	6.35	5.54	40.9	32	5.08	12.5
50	2	61.2	6.93	6.04	52.5	38	5.54	16
65	2 1/2	73.9	8.76	7.67	62.7	41	7.01	16
80	3	89.8	9.52	8.3	78	57	7.62	16
100	4	115.2	10.69	9.35	102.3	66.5	8.56	19

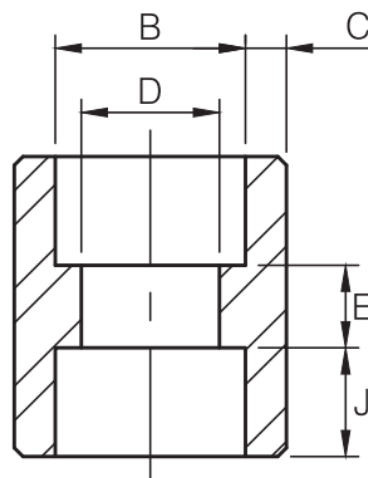
6000Lb								
SOCKET WELDING								
DN	NOM. PIPE SIZE	B	C		D	A	G (MIN)	J (MIN)
			(AVG)	(MIN)				
6	1/8	10.8	3.96	3.43	4	11	3.15	9.5
8	1/4	14.2	4.6	4.01	6.4	13.5	3.68	9.5
10	3/8	17.6	5.03	4.37	9.2	15.5	4.01	9.5
15	1/2	21.8	5.97	5.18	11.8	19	4.78	9.5
20	3/4	27.2	6.96	6.04	15.6	22.5	5.56	12.5
25	1	33.9	7.92	6.93	20.7	27	6.35	12.5
32	1 1/4	42.7	7.92	6.93	29.5	32	6.35	12.5
40	1 1/2	48.8	8.92	7.8	34	38	7.14	12.5
50	2	61.2	10.92	9.5	42.9	41	8.74	16

TEE (THREADED)

3000Lb

THREADED						
DN	NOM. PIPE SIZE	LENGTH OF THREAD. (MIN)		A	G (MIN)	H
		B	L2			
6	1/8	6.4	6.7	21	3.18	22
8	1/4	8.1	10.2	25	3.3	25
10	3/8	9.1	10.4	28	3.51	33
15	1/2	10.9	13.6	33	4.09	38
20	3/4	12.7	13.9	38	4.32	46
25	1	14.7	17.3	44	4.98	56
32	1 1/4	17	18	51	5.28	62
40	1 1/2	17.8	18.4	60	5.56	75
50	2	19	19.2	64	7.14	84
65	2 1/2	23.6	28.9	83	7.65	102
80	3	25.9	30.5	95	8.84	121
100	4	27.7	33	114	11.18	152

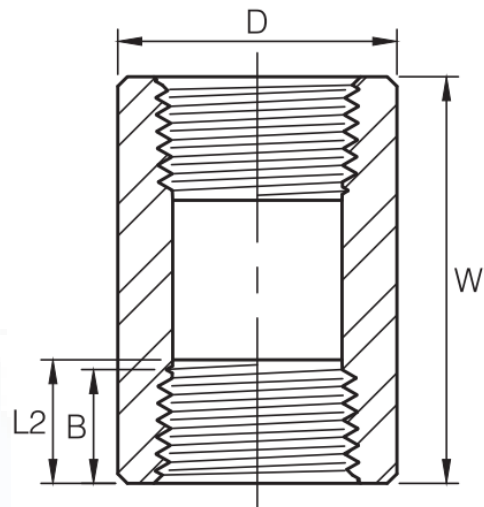
6000Lb

THREADED						
DN	NOM. PIPE SIZE	LENGTH OF THREAD. (MIN)		A	G (MIN)	H
		B	L2			
6	1/8	6.4	6.7	25	6.35	25
8	1/4	8.1	10.2	28	6.6	33
10	3/8	9.1	10.4	33	6.98	38
15	1/2	10.9	13.6	38	8.15	46
20	3/4	12.7	13.9	44	8.53	56
25	1	14.7	17.3	51	9.93	62
32	1 1/4	17	18	60	10.59	75
40	1 1/2	17.8	18.4	64	11.07	84
50	2	19	19.2	83	12.09	102
65	2 1/2	23.6	28.9	95	15.29	121
80	3	25.9	30.5	106	16.64	146
100	4	27.7	33	114	18.67	152

FULL COUPLING (SOCKET WELDED)


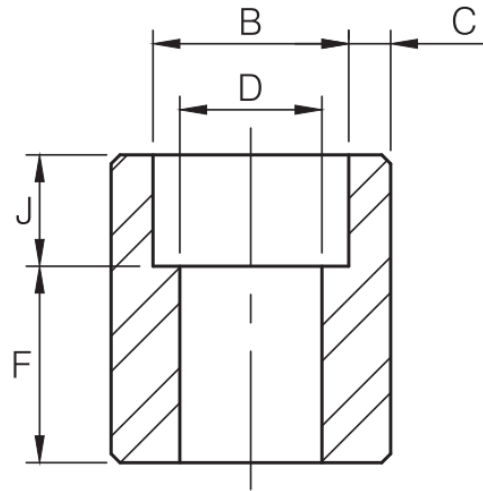
3000Lb							
SOCKET WELDING							
DN	NOM. PIPE SIZE	B	C		D	E	J (MIN)
			(AVG)	(MIN)			
6	1/8	10.8	3.18	3.18	6.9	6.5	9.5
8	1/4	14.2	3.78	3.3	9.3	6.5	9.5
10	3/8	17.6	4.01	3.5	12.6	6.5	9.5
15	1/2	21.8	4.67	4.09	15.8	9.5	9.5
20	3/4	27.2	4.9	4.27	21	9.5	12.5
25	1	33.9	5.69	4.98	26.7	12.5	12.5
32	1 1/4	42.7	6.07	5.28	35.1	12.5	12.5
40	1 1/2	48.8	6.35	5.54	40.9	12.5	12.5
50	2	61.2	6.93	6.04	52.5	19	16
65	2 1/2	73.9	8.76	7.67	62.7	19	16
80	3	89.8	9.52	8.3	78	19	16
100	4	115.2	10.69	9.35	102.3	19	19

6000Lb							
SOCKET WELDING							
DN	NOM. PIPE SIZE	B	C		D	E	J (MIN)
			(AVG)	(MIN)			
6	1/8	10.8	3.96	3.43	4	6.5	9.5
8	1/4	14.2	4.6	4.01	6.4	6.5	9.5
10	3/8	17.6	5.03	4.37	9.2	6.5	9.5
15	1/2	21.8	5.97	5.18	11.8	9.5	9.5
20	3/4	27.2	6.96	6.04	15.6	9.5	12.5
25	1	33.9	7.92	6.93	20.7	12.5	12.5
32	1 1/4	42.7	7.92	6.93	29.5	12.5	12.5
40	1 1/2	48.8	8.92	7.8	34	12.5	12.5
50	2	61.2	10.92	9.5	42.9	19	16

FULL COUPLING (THREADED)


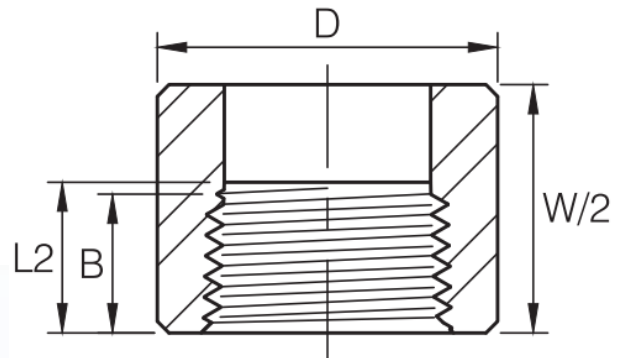
3000Lb					
THREADED					
DN	NOM. PIPE SIZE	LENGTH OF THREAD. (MIN)		W	D
		B	L2		
6	1/8	6.4	6.7	32	16
8	1/4	8.1	10.2	35	19
10	3/8	9.1	10.4	38	22
15	1/2	10.9	13.6	48	28
20	3/4	12.7	13.9	51	35
25	1	14.7	17.3	60	44
32	1 1/4	17	18	67	57
40	1 1/2	17.8	18.4	79	64
50	2	19	19.2	86	76
65	2 1/2	23.6	28.9	92	92
80	3	25.9	30.5	108	108
100	4	27.7	33	121	140

6000Lb					
THREADED					
DN	NOM. PIPE SIZE	LENGTH OF THREAD. (MIN)		W	D
		B	L2		
6	1/8	6.4	6.7	32	22
8	1/4	8.1	10.2	35	25
10	3/8	9.1	10.4	38	32
15	1/2	10.9	13.6	48	38
20	3/4	12.7	13.9	51	44
25	1	14.7	17.3	60	57
32	1 1/4	17	18	67	64
40	1 1/2	17.8	18.4	79	76
50	2	19	19.2	86	92
65	2 1/2	23.6	28.9	92	108
80	3	25.9	30.5	108	127
100	4	27.7	33	121	159

HALF COUPLING (SOCKET WELDED)


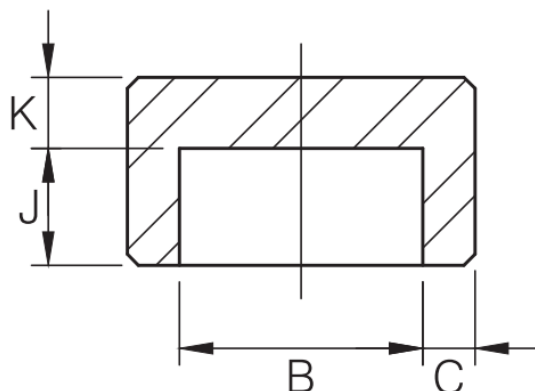
3000Lb							
SOCKET WELDING							
DN	NOM. PIPE SIZE	B	C		D	F	J (MIN)
			(AVG)	(MIN)			
6	1/8	10.8	3.18	3.18	6.9	16	9.5
8	1/4	14.2	3.78	3.3	9.3	16	9.5
10	3/8	17.6	4.01	3.5	12.6	17.5	9.5
15	1/2	21.8	4.67	4.09	15.8	22.5	9.5
20	3/4	27.2	4.9	4.27	21	24	12.5
25	1	33.9	5.69	4.98	26.7	28.5	12.5
32	1 1/4	42.7	6.07	5.28	35.1	30	12.5
40	1 1/2	48.8	6.35	5.54	40.9	32	12.5
50	2	61.2	6.93	6.04	52.5	41	16
65	2 1/2	73.9	8.76	7.67	62.7	43	16
80	3	89.8	9.52	8.3	78	44.5	16
100	4	115.2	10.69	9.35	102.3	48	19

6000Lb							
SOCKET WELDING							
DN	NOM. PIPE SIZE	B	C		D	F	J (MIN)
			(AVG)	(MIN)			
6	1/8	10.8	3.96	3.43	4	16	9.5
8	1/4	14.2	4.6	4.01	6.4	16	9.5
10	3/8	17.6	5.03	4.37	9.2	17.5	9.5
15	1/2	21.8	5.97	5.18	11.8	22.5	9.5
20	3/4	27.2	6.96	6.04	15.6	24	12.5
25	1	33.9	7.92	6.93	20.7	28.5	12.5
32	1 1/4	42.7	7.92	6.93	29.5	30	12.5
40	1 1/2	48.8	8.92	7.8	34	32	12.5
50	2	61.2	10.92	9.5	42.9	41	16

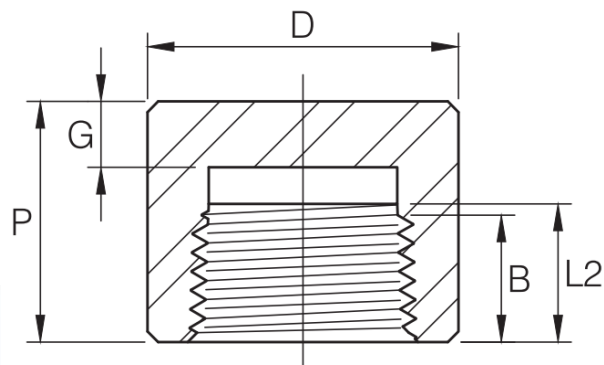
HALF COUPLING (THREADED)


3000Lb					
THREADED					
DN	NOM. PIPE SIZE	LENGTH OF THREAD. (MIN)		W	D
		B	L2		
6	1/8	6.4	6.7	32	16
8	1/4	8.1	10.2	35	19
10	3/8	9.1	10.4	38	22
15	1/2	10.9	13.6	48	28
20	3/4	12.7	13.9	51	35
25	1	14.7	17.3	60	44
32	1 1/4	17	18	67	57
40	1 1/2	17.8	18.4	79	64
50	2	19	19.2	86	76
65	2 1/2	23.6	28.9	92	92
80	3	25.9	30.5	108	108
100	4	27.7	33	121	140

6000Lb					
THREADED					
DN	NOM. PIPE SIZE	LENGTH OF THREAD. (MIN)		W	D
		B	L2		
6	1/8	6.4	6.7	32	22
8	1/4	8.1	10.2	35	25
10	3/8	9.1	10.4	38	32
15	1/2	10.9	13.6	48	38
20	3/4	12.7	13.9	51	44
25	1	14.7	17.3	60	57
32	1 1/4	17	18	67	64
40	1 1/2	17.8	18.4	79	76
50	2	19	19.2	86	92
65	2 1/2	23.6	28.9	92	108
80	3	25.9	30.5	108	127
100	4	27.7	33	121	159

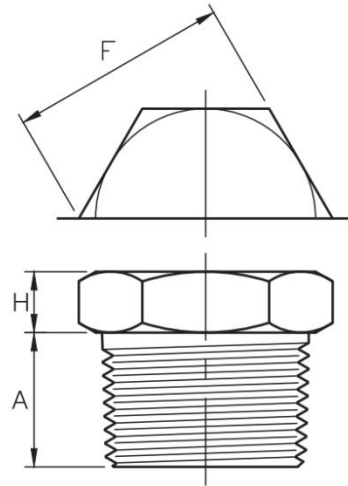
CAP (SOCKET WELDED)


3000Lb						
SOCKET WELDING						
DN	NOM. PIPE SIZE	B	C		K (MIN)	J (MIN)
			(AVG)	(MIN)		
6	1/8	10.8	3.18	3.18	4.8	9.5
8	1/4	14.2	3.78	3.3	4.8	9.5
10	3/8	17.6	4.01	3.5	4.8	9.5
15	1/2	21.8	4.67	4.09	6.4	9.5
20	3/4	27.2	4.9	4.27	6.4	12.5
25	1	33.9	5.69	4.98	9.6	12.5
32	1 1/4	42.7	6.07	5.28	9.6	12.5
40	1 1/2	48.8	6.35	5.54	11.2	12.5
50	2	61.2	6.93	6.04	12.7	16
65	2 1/2	73.9	8.76	7.67	15.7	16
80	3	89.8	9.52	8.3	19.0	16
100	4	115.2	10.69	9.35	22.4	19
6000Lb						
SOCKET WELDING						
DN	NOM. PIPE SIZE	B	C		K (MIN)	J (MIN)
			(AVG)	(MIN)		
6	1/8	10.8	3.96	3.43	6.4	9.5
8	1/4	14.2	4.6	4.01	6.4	9.5
10	3/8	17.6	5.03	4.37	6.4	9.5
15	1/2	21.8	5.97	5.18	7.9	9.5
20	3/4	27.2	6.96	6.04	7.9	12.5
25	1	33.9	7.92	6.93	11.2	12.5
32	1 1/4	42.7	7.92	6.93	11.2	12.5
40	1 1/2	48.8	8.92	7.8	12.7	12.5
50	2	61.2	10.92	9.5	15.7	16

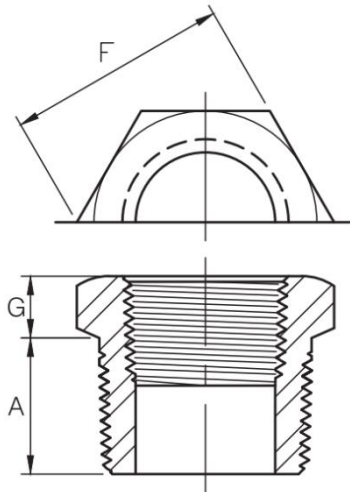
CAP (THREADED)


3000Lb						
THREADED						
DN	NOM. PIPE SIZE	LENGTH OF THREAD. (MIN)		P	D	G (MIN)
		B	L2			
6	1/8	6.4	6.7	19	16	4.8
8	1/4	8.1	10.2	25	19	4.8
10	3/8	9.1	10.4	25	22	4.8
15	1/2	10.9	13.6	32	28	6.4
20	3/4	12.7	13.9	37	35	6.4
25	1	14.7	17.3	41	44	9.7
32	1 1/4	17	18	44	57	9.7
40	1 1/2	17.8	18.4	44	64	11.2
50	2	19	19.2	48	76	12.7
65	2 1/2	23.6	28.9	60	92	15.7
80	3	25.9	30.5	65	108	19
100	4	27.7	33	68	140	22.4

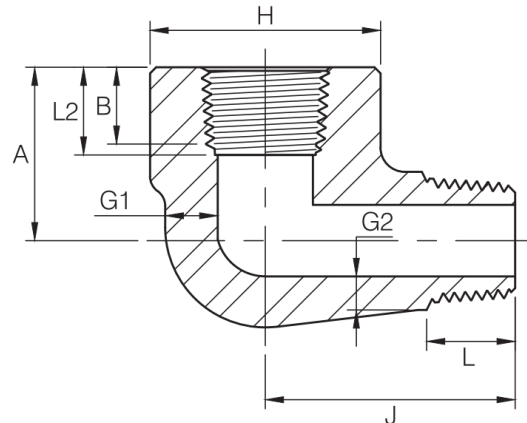
6000Lb						
THREADED						
DN	NOM. PIPE SIZE	LENGTH OF THREAD. (MIN)		P	D	G (MIN)
		B	L2			
8	1/4	8.1	10.2	27	25	6.4
10	3/8	9.1	10.4	27	32	6.4
15	1/2	10.9	13.6	33	38	7.9
20	3/4	12.7	13.9	38	44	7.9
25	1	14.7	17.3	43	57	11.2
32	1 1/4	17	18	46	64	11.2
40	1 1/2	17.8	18.4	48	76	12.7
50	2	19	19.2	51	92	15.7
65	2 1/2	23.6	28.9	64	108	19
80	3	25.9	30.5	68	127	22.4
100	4	27.7	33	75	159	28.4

HEX HEAD PLUG


DN	NOM. PIPE SIZE	A (MIN)	F (NOM.)	H (MIN)
6	1/8	10	11.11	6
8	1/4	11	15.88	6
10	3/8	13	17.46	8
15	1/2	14	22.23	8
20	3/4	16	26.99	10
25	1	19	34.93	10
32	1 1/4	21	44.45	14
40	1 1/2	21	50.8	16
50	2	22	63.5	18
65	2 1/2	27	76.2	19
80	3	28	88.9	21
100	4	32	117.48	25

HEX BUSH PLUG


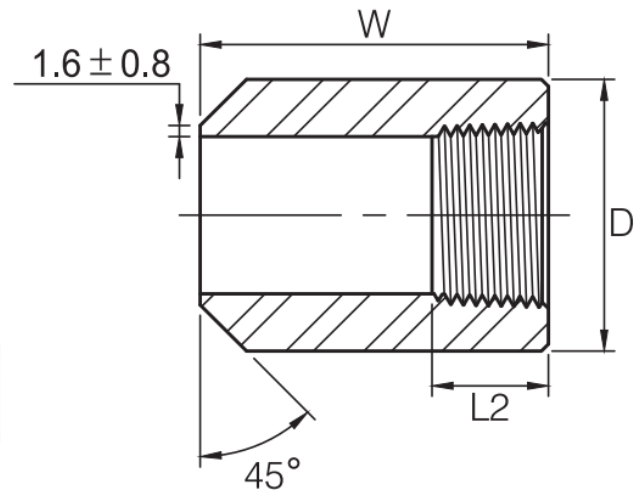
DN	NOM. PIPE SIZE	A (MIN)	F (NOM.)	G (MIN)
8	1/4	11	15.88	3
10	3/8	13	17.46	4
15	1/2	14	22.23	5
20	3/4	16	26.99	6
25	1	19	34.93	6
32	1 1/4	21	44.45	7
40	1 1/2	21	50.8	8
50	2	22	63.5	9
65	2 1/2	27	76.2	10
80	3	28	88.9	10
100	4	32	117.48	13

STREET ELBOW

3000lb

DN	NOM. PIPE SIZE	H	A	J	G1 (MIN)	G2 (MIN)	B (MIN)	L2 (MIN)	L (MIN)
6	1/8	19	19	25	3.18	2.74	6.4	6.7	10
8	1/4	25	22	32	3.3	3.22	8.1	10.2	11
10	3/8	32	25	38	3.51	3.5	9.1	10.4	13
15	1/2	38	28	41	4.09	4.16	10.9	13.6	14
20	3/4	44	35	48	4.32	4.88	12.7	13.9	16
25	1	51	44	57	4.98	5.56	14.7	17.3	19
32	1 1/4	62	51	66	5.28	5.56	17	18	21
40	1 1/2	70	54	71	5.56	6.25	17.8	18.4	21
50	2	84	64	84	7.14	7.64	19	19	22

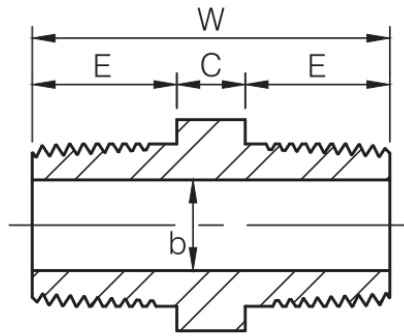
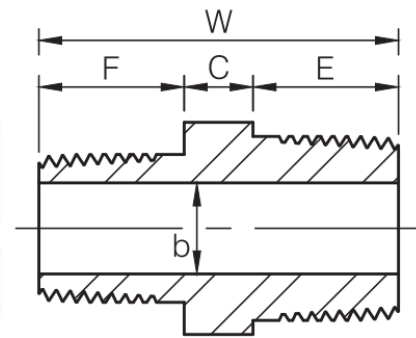
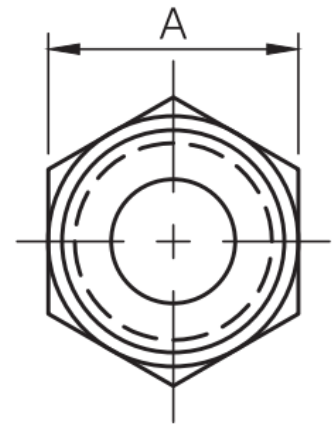
6000lb

DN	NOM. PIPE SIZE	H	A	J	G1 (MIN)	G2 (MIN)	B (MIN)	L2 (MIN)	L (MIN)
6	1/8	25	22	32	5.08	4.22	6.4	6.7	10
8	1/4	32	25	38	5.66	5.28	8.1	10.2	11
10	3/8	38	28	41	6.98	5.59	9.1	10.4	13
15	1/2	44	35	48	8.15	6.53	10.9	13.6	14
20	3/4	51	44	57	8.53	6.86	12.7	13.9	16
25	1	62	51	66	9.93	7.95	14.7	17.3	19
32	1 1/4	70	54	71	10.59	8.48	17	18	21
40	1 1/2	84	64	84	11.07	8.89	17.8	18.4	21
50	2	102	83	105	12.09	9.7	19	19	22

BOSS (THREADED)


3000Lb				
THREADED				
DN	NOM. PIPE SIZE	D	W	L2 (MIN)
6	1/8	16	38	6.7
8	1/4	19	41	10.21
10	3/8	22	45	10.36
15	1/2	29	51	13.56
20	3/4	35	51	13.86
25	1	45	51	17.34
40	1 1/2	64	51	18.38
50	2	76	51	19.22
65	2 1/2	95	51	28.89
80	3	110	57	30.48
100	4	140	64	33.02
6000Lb				
THREADED				
DN	NOM. PIPE SIZE	D	W	L2 (MIN)
6	1/8	22	38	6.7
8	1/4	26	41	10.21
10	3/8	32	45	10.36
15	1/2	38	51	13.56
20	3/4	45	51	13.86
25	1	60	51	17.34
40	1 1/2	76	51	18.38
50	2	95	51	19.22

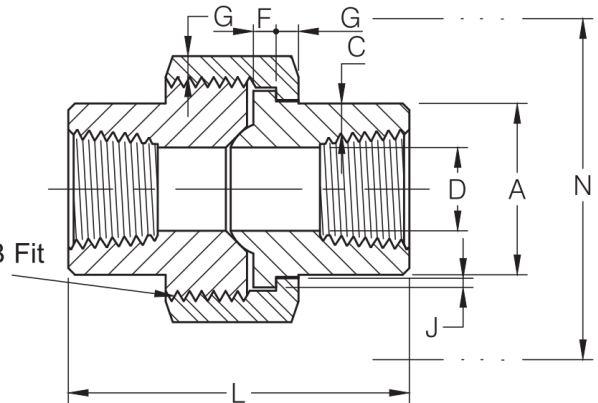
DIMENSIONAL TOLERANCE OF BS3799						
ITEM	TYPE OF PIPE FITTING	DN	6 ~ 8	10 ~ 20	25 ~ 50	65 ~ 80
		NPS	1/8" ~ 1/4"	3/8" ~ 3/4"	1" ~ 2"	2 1/2" ~ 3"
CONCENTRICITY OF BORE (X)	ALL FITTINGS	± 0.8				
COINCIDENCE OF AXES (Y)		$\pm 1/200$				
BORE DIMETER OF FITTING (b)	BOSS & HEX NIPPLE	± 0.4				± 0.8
BOTTOM OF SOCKET TO OPPOSITE FACE	BOSS	± 0.8	± 1.5	± 2.0	± 2.5	

HEX NIPPLE

FULL SIZE

REDUCING SIZE

NOMINAL SIZE				A (MIN)	W (MIN)	E (MIN)	b		C (MIN)	F (MIN)
EQUAL		REDUCING					3M	6M		
IN	DN	IN	DN							
1/8	(6)	-	-	11	26	10	5	2	6	-
1/4	(8)	-	-	15	36	15	8	6	6	-
-	-	1/4 x 1/8	(8 x 6)	15	31	15	5	2	6	10
3/8	(10)	-	-	18	40	16	11	8	8	-
-	-	3/8 x 1/4	(10 x 8)	18	39	16	8	6	8	15
1/2	(15)	-	-	22	48	20	14	11	8	-
-	-	1/2 x 3/8	(15 x 10)	22	44	20	11	8	8	16
-	-	1/2 x 1/4	(15 x 8)	22	43	20	8	6	8	15
3/4	(20)	-	-	27	52	21	19	13	10	-
-	-	3/4 x 1/2	(20 x 15)	27	50	21	14	11	9	20
-	-	3/4 x 3/8	(20 x 10)	27	46	21	11	8	9	16
1	(25)	-	-	35	60	25	24	17	10	-
-	-	1 x 3/4	(25 x 20)	35	56	25	19	13	10	21
-	-	1 x 1/2	(25 x 15)	35	55	25	14	11	10	20
1 1/2	(40)	-	-	50	68	26	38	30	16	-
-	-	1 1/2 x 1	(40 x 25)	50	67	26	24	17	16	25
-	-	1 1/2 x 3/4	(40 x 20)	50	63	26	19	13	16	21
-	-	1 1/2 x 1/2	(40 x 15)	50	62	26	14	11	16	20
2	(50)	-	-	62	71	27	49	39	17	-
-	-	2 x 1 1/2	(50 x 40)	62	70	27	38	30	17	26
-	-	2 x 1	(50 x 25)	62	70	27	24	17	18	25
-	-	2 x 3/4	(50 x 20)	62	65	27	19	13	17	21
-	-	2 x 1/2	(50 x 15)	62	65	27	14	11	18	20

UNION 3000# (THREADED END)

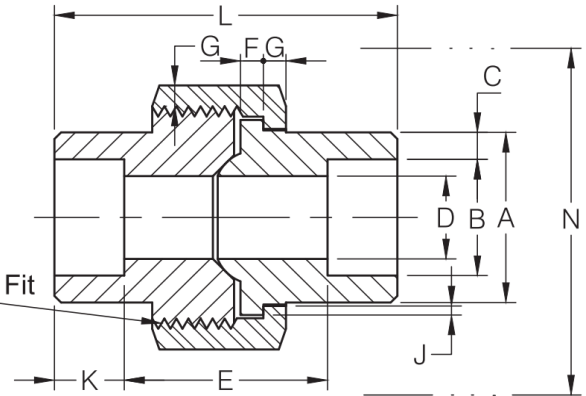

H-Thrd's
Minimum 4 Full Thrd's
Engagement Class 2A / 2B Fit
ANSI B1.1


3000lb

NOM. PIPE SIZE	PIPE END	WALL	WATER WAY BORE	MALE FLANGE	NUT	THRDS. PER 25.4MM	BEARING	LENGTH ASSEM. NOM.	CLEAR ASSEM. NUT
	(MIN)	(MIN)		(MIN)	(MIN)		(MIN)		
	A	C	D	F	G	H	J	L	N
1/8	14.7	2.41	8.43 6.43	3.18	3.18	16	1.24	41.4	50.8
1/4	19	3.02	11.13 9.45	3.18	3.18	16	1.24	41.4	50.8
3/8	22.9	3.2	14.27 13.51	3.43	3.43	14	1.37	46	55.9
1/2	27.7	3.73	17.86 17.07	3.68	3.68	14	1.5	49	58.4
3/4	33.5	3.91	23.01 21.39	4.06	4.06	11	1.68	56.9	66
1	41.4	4.55	28.98 27.74	4.57	4.45	11	1.85	62	78.7
1 1/4	50.5	4.85	37.69 35.36	5.33	5.21	10	2.13	71.1	94
1 1/2	57.2	5.08	43.54 41.2	5.84	5.59	10	2.31	76.5	111.8
2	70.1	5.54	55.58 52.12	6.6	6.35	10	2.69	86.1	132.1
2 1/2	85.3	7.01	66.27 64.31	7.49	7.11	8	3.07	102.4	149.9
3	102.4	7.62	82.55 77.27	8.26	8	8	3.53	109	175.3

UNION 3000# (SOCKET WELDED END)

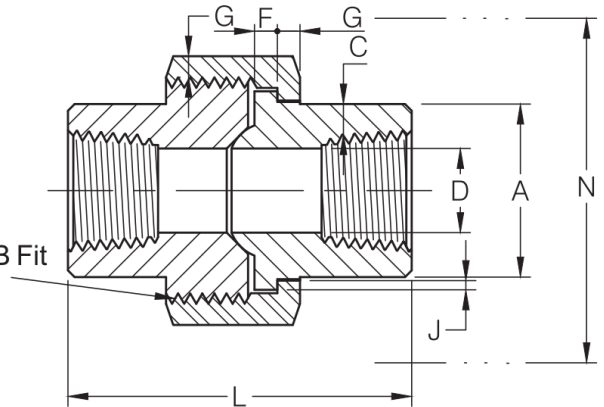

H-Thrd's
Minimum 4 Full Thrd's
Engagement Class 2A / 2B Fit
ANSI B1.1


3000lb

NOM. PIPE SIZE	PIPE END	SOCKET BORE DIA.	SOCKET WALL	WATER WAY BORE	LAYING LENGTH	MALE FLANGE	NUT	THRDS. PER 25.4MM	BEARING	DEPT OF SOCKET	LENGTH ASSEM. NOM.	CLEAR ASSEM. NUT
	(MIN)		(MIN)			(MIN)	(MIN)		(MIN)	(MIN)		
	A	B	C	D	E	F	G	H	J	K	L	N
1/8	21.8	11.18 10.67	3.18	7.59 6.07	22.4 19.1	3.18	3.18	16	1.24	9.7	41.4	50.8
1/4	21.8	14.61 14.1	3.3	10.01 8.48	22.4 19.1	3.18	3.18	16	1.24	9.7	41.4	50.8
3/8	25.9	18.03 17.53	3.51	13.28 11.76	26.9 20.6	3.43	3.43	14	1.37	9.7	46	55.9
1/2	31.2	22.23 21.72	4.09	16.56 15.04	26.9 20.6	3.68	3.68	14	1.5	9.7	49	58.4
3/4	37.1	27.56 27.05	4.27	21.69 20.17	31.8 25.4	4.06	4.06	11	1.68	12.7	56.9	66
1	45.5	34.29 33.78	4.98	27.41 25.88	34.3 26.2	4.57	4.45	11	1.85	12.7	62	78.7
1 1/4	54.9	43.05 42.55	5.28	35.81 34.29	40.6 32.5	5.33	5.21	10	2.13	12.7	71.1	94
1 1/2	61.5	49.15 48.64	5.54	41.66 40.13	42.2 34	5.84	5.59	10	2.31	12.7	76.5	111.8
2	75.2	61.62 61.11	6.05	53.26 51.74	45.5 37.3	6.6	6.35	10	2.69	15.7	86.1	132.1
2 1/2	91.7	74.45 73.81	7.67	64.24 61.19	61.7 52.1	7.49	7.11	8	3.07	15.7	102.4	149.9
3	109.2	90.42 89.79	8.31	79.45 76.4	63.8 53.6	8.26	8	8	3.53	15.7	109	175.3

UNION 6000# (THREADED END)

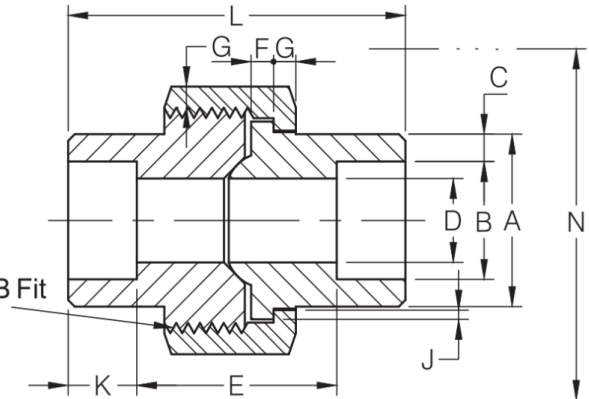

H-Thrd's
Minimum 4 Full Thrd's
Engagement Class 2A / 2B Fit
ANSI B1.1


6000Lb

NOM. PIPE SIZE	PIPE END	WALL	WATER WAY BORE	MALE FLANGE	NUT	THRDS. PER 25.4MM	BEARING	LENGTH ASSEM. NOM.	CLEAR ASSEM. NUT
	(MIN)	(MIN)		(MIN)	(MIN)		(MIN)		
	A	C	D	F	G	H	J	L	N
1/8	16.5	3.15	8.43 3.2	3.18	3.18	16	1.24	41.4	50.8
1/4	21.1	3.68	11.13 5.59	3.43	3.43	14	1.37	46	55.9
3/8	25.1	4.01	14.27 8.36	3.68	3.68	14	1.5	49	58.4
1/2	31	4.78	17.86 11.02	4.06	4.06	11	1.68	56.9	66
3/4	37.8	5.56	23.01 14.78	4.57	4.45	11	1.85	62	78.7
1	46.2	6.35	28.98 19.94	5.33	5.21	10	2.13	71.1	94
1 1/4	54.9	6.35	37.69 28.7	5.84	5.59	10	2.31	76.5	111.8
1 1/2	62.5	7.14	43.54 33.22	6.6	6.35	10	2.69	86.1	132.1
2	77.7	8.74	55.58 42.09	7.49	7.11	8	3.07	102.4	149.9
2 1/2	92.2	9.53	66.27 53.21	8.26	8	8	3.53	109	175.3
3	111.3	11.13	82.55 65.89	10.19	10.19	8	4.06	158	200.7

UNION 6000# (SOCKET WELDED END)


H-Thrd's
Minimum 4 Full Thrd's
Engagement Class 2A / 2B Fit
ANSI B1.1


6000Lb

NOM. PIPE SIZE	PIPE END	SOCKET BORE DIA.	SOCKET WALL	WATER WAY BORE	LAYING LENGTH	MALE FLANGE	NUT	THRDS. PER 25.4MM	BEARING	DEPT OF SOCKET	LENGTH ASSEM. NOM.	CLEAR ASSEM. NUT
	(MIN)		(MIN)			(MIN)	(MIN)		(MIN)	(MIN)		
	A	B	C	D	E	F	G	H	J	K	L	N
1/8	21.8	11.18	3.43	4.8	22.4	3.18	3.18	16	1.24	9.7	41.4	50.8
		10.67		3.2	19.1							
1/4	25.9	14.61	4.01	7.11	26.9	3.43	3.43	14	1.37	9.7	46	55.9
		14.1		5.59	20.6							
3/8	31.2	18.03	4.37	9.88	26.9	3.68	3.68	14	1.5	9.7	49	58.4
		17.53		8.36	20.6							
1/2	37.1	22.23	5.18	12.55	31.8	4.06	4.06	11	1.68	9.7	56.9	66
		21.72		11.02	25.4							
3/4	45.5	27.56	6.05	16.31	34.3	4.57	4.45	11	1.85	12.7	62	78.7
		27.05		14.78	26.2							
1	54.9	34.29	6.93	21.46	40.6	5.33	5.21	10	2.13	12.7	71.1	94
		33.78		19.94	32.5							
1 1/4	61.5	43.05	6.93	30.23	42.2	5.84	5.59	10	2.31	12.7	76.5	111.8
		42.55		28.7	34							
1 1/2	75.2	49.15	7.8	34.75	45.5	6.6	6.35	10	2.69	12.7	86.1	132.1
		48.64		33.22	37.3							
2	91.7	61.62	9.5	43.61	61.7	7.49	7.11	8	3.07	15.7	102.4	149.9
		61.11		42.09	52.1							
2 1/2	109.2	74.45	10.39	54.74	63.8	8.26	8	8	3.53	15.7	109	175.3
		73.81		53.21	53.6							

RFS Hydraulics

Conditions of Use of Catalogue:

The information in the catalogue are not binding and in order to improve distribution, RFS Hydraulics Sdn Bhd reserves the right to make any change including size and pressure ratings considered necessary at any time and without prior notice. According to the copyright and the civil law, any reproduction (also partial) of figures and texts of this catalogue by means of electronic, mechanical, photocopies, microfilms, recordings or other is forbidden without RFS Hydraulics Sdn Bhd's authorization.
Catalogue Version: 2020