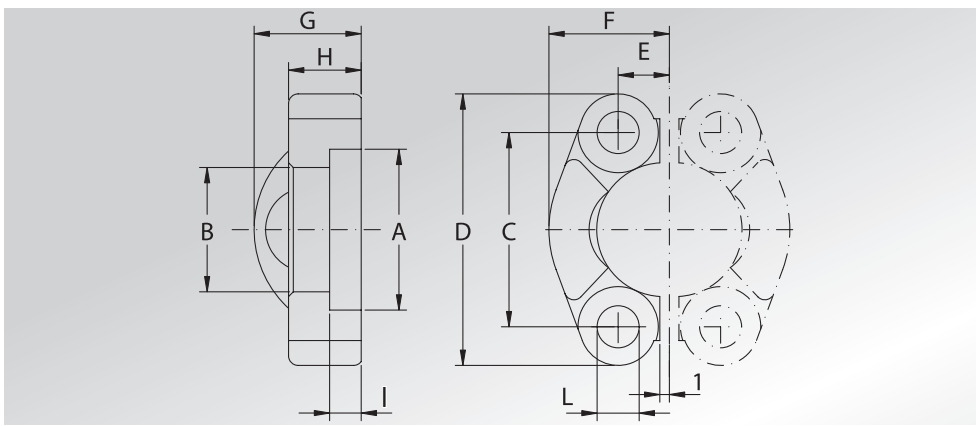


oleo **tecnica**  
flange sae

**CATALOGO 2018**

**CATALOGUE 2018**



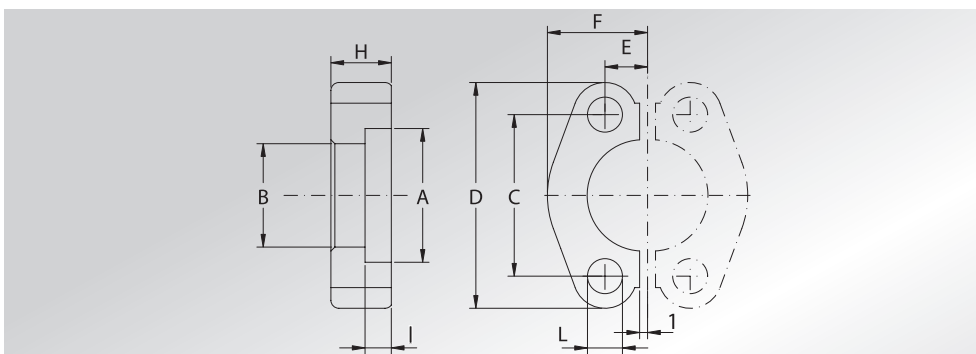
Pressione max di esercizio raccomandata Kg/cm <sup>2</sup>	Grandezza	Tipo	Dimensioni										Viti		Peso Kg
Maximum recommended working pressure Kg/cm <sup>2</sup>	Size	Type	Dimensions										Screws		Weight Kg
			A	B	C	D	E	F	G	H	I	L	Metric	Unc	

**SERIE 3000**

345	1/2"	AFS301B	30,96	24,26	38,10	54	8,74	22,8	19	13	6,22	8,75	M8x30	5/16"x1"1/4	0,12
345	3/4"	AFS302B	38,89	32,13	47,63	65	11,13	25,9	22	14	6,22	10,75	M10x35	3/8"x1"1/2	0,16
345	1"	AFS303B	45,24	38,48	52,37	70	13,08	29,2	24	16	7,49	10,75	M10x35	3/8"x1"1/2	0,22
276	1"1/4	AFS304B	51,59	43,69	58,72	79	15,09	36,3	22	14	7,49	12,00	M10x35	7/16"x1"3/4	0,30
276	1"1/4	AFS304L1075B	51,59	43,69	58,72	79	15,09	36,3	22	14	7,49	10,75	M10x35	-	0,30
276	1"1/4	AFS304L1275B	51,59	43,69	58,72	79	15,09	36,3	22	14	7,49	12,75	M12x35	-	0,30
207	1"1/2	AFS305B	61,09	50,80	69,85	94	17,86	41,1	25	16	7,49	13,50	M12x35	1/2"x1"3/4	0,43
207	1"1/2	AFS305L1475B	61,09	50,80	69,85	94	17,86	41,1	25	16	7,49	14,75	M14x45	-	0,43
207	2"	AFS306B	72,24	62,74	77,77	102	21,44	48,2	26	16	9,02	13,50	M12x35	1/2"x1"3/4	0,56
207	2"	AFS306L1475B	72,24	62,74	77,77	102	21,44	48,2	26	16	9,02	14,75	M14x45	-	0,54
172	2"1/2	AFS307B	84,94	74,93	88,90	114	25,40	54,1	38	19	9,02	13,50	M12x40	1/2"x1"3/4	0,74
172	2"1/2	AFS307L1475B	84,94	74,93	88,90	114	25,40	54,1	38	19	9,02	14,75	M14x45	-	0,74
138	3"	AFS308B	102,39	90,93	106,38	135	30,96	65,3	41	22	9,02	16,75	M16x50	5/8"x2"	1,30
34	3"1/2	AFS309B	115,10	102,36	120,65	152	34,92	69,5	28	22	10,72	17,00	M16x50	5/8"x2"	1,27
34	4"	AFS310B	127,79	115,06	130,18	162	38,88	76,0	35	25	10,72	17,00	M16x50	5/8"x2"	1,65
34	5"	AFS311B	153,19	140,46	152,40	184	46,04	90,0	41	28	10,72	17,00	M16x55	5/8"x2"1/4	2,50

**SERIE 6000**

414	1/2"	AFS601B	32,54	24,64	40,49	56	9,12	23,6	22	16	7,24	8,75	M8x30	5/16"x1"1/4	0,16
414	3/4"	AFS602B	42,06	32,51	50,80	71	11,91	30,0	28	19	8,26	11,00	M10x35	3/8"x1"1/2	0,34
414	1"	AFS603B	48,41	38,86	57,15	81	13,89	34,8	33	24	9,02	13,00	M12x45	-	0,51
414	1"	AFS603L12B	48,41	38,86	57,15	81	13,89	34,8	33	24	9,02	12,00	-	7/16"x1"3/4	0,51
414	1"1/4	AFS604B	54,76	44,45	66,68	95	15,88	38,6	38	27	9,78	15,00	M14x45	-	0,80
414	1"1/4	AFS604L13B	54,76	44,45	66,68	95	15,88	38,6	38	27	9,78	13,50	M12x45	1/2"x1"3/4	0,80
414	1"1/2	AFS605B	64,29	51,56	79,38	113	18,26	47,5	43	30	12,07	17,00	M16x55	5/8"x2"1/4	1,44
414	2"	AFS606B	80,16	67,56	96,82	133	22,23	56,9	52	37	12,07	21,00	M20x70	3/4"x2"3/4	2,10



414	2"1/2	AFP607 *	108,5	89,50	123,8	180	29,35	76,0	-	45	20,00	26,00	M24x80	7/8"x3"1/4	4,60
414	3"	AFP608 *	132,5	114,50	152,4	208	35,7	89,0	-	55	25,00	33,00	M30x100	1"1/8"x3"1/2	6,70

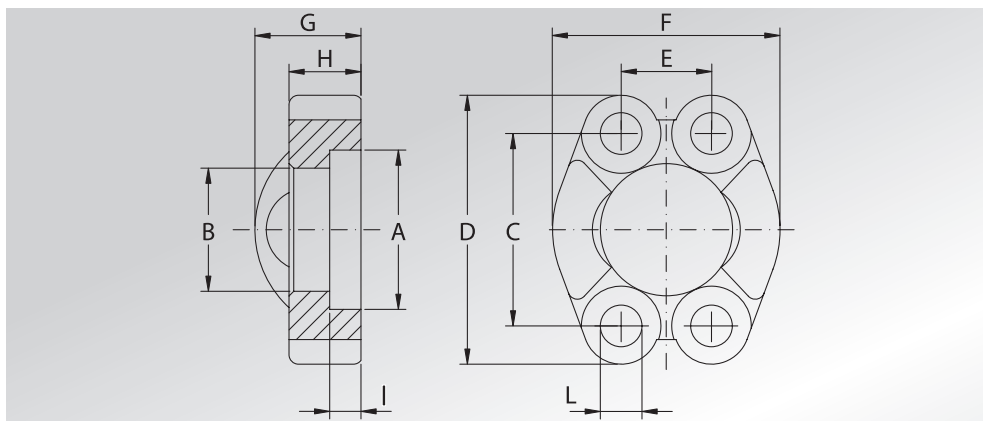
DESIGNAZIONE PER ORDINE DESIGNATION FOR ORDER	Materiale / Material	
	S355	AISI 316L
Solo coppia semiflanguia Only pair cut split flange	<b>AFS...B/AFP</b>	<b>AFX.../AFPX</b>
Coppia semiflanguia completa di viti metriche, grower e o-ring Pair cut split flange complete of metric screws, grower type washers and o-ring	<b>AFS...BM/AFP...M</b>	<b>AFX...M</b>
Coppia semiflanguia completa di viti unc, grower e o-ring Pair cut split flange complete of unc screws, grower type washers and o-ring	<b>AFS...BU</b>	<b>AFX...U</b>

**NOTE / NOTES**  
**QUESTO PRODOTTO E' VENDUTO A COPPIE**  
**THIS PRODUCT IS SOLD BY PAIRS**  
 Rivestimento superficiale : zincatura Cr3  
 Superficial coating : zinking Cr3  
 set viti unc disponibili solo in acciaio al carbonio  
 unc screws set available only in carbon steel  
 \* set viti disponibili solo metriche in acciaio al carbonio  
 \* screws set available only metric in carbon steel  
 \* NON ZINCATE  
 \* NOT GALVANIZED



## SEMIFLANGE INTERE

### UNCUT SPLIT FLANGES



Pressione max di esercizio raccomandata Kg/cm <sup>2</sup>	Grandezza	Tipo	Dimensioni										Viti		Peso Kg
Maximum recommended working pressure Kg/cm <sup>2</sup>	Size	Type	Dimensions										Screws		Weight Kg
			A	B	C	D	E	F	G	H	I	L	Metric	Unc	

#### SERIE 3000

345	1/2"	AFSI301B	30,96	24,26	38,10	54	17,48	45,6	19	13	6,22	8,75	M8x30	5/16"x1"1/4	0,12
345	3/4"	AFSI302B	38,89	32,13	47,63	65	22,23	51,8	22	14	6,22	10,75	M10x35	3/8"x1"1/2	0,16
345	1"	AFSI303B	45,24	38,48	52,37	70	26,19	58,4	24	16	7,49	10,75	M10x35	3/8"x1"1/2	0,22
276	1"1/4	AFSI304B	51,59	43,69	58,72	79	30,18	72,6	22	14	7,49	12,00	M10x35	7/16"x1"3/4	0,30
276	1"1/4	AFSI304L1075B	51,59	43,69	58,72	79	30,18	72,6	22	14	7,49	10,75	M10x35	-	0,30
276	1"1/4	AFSI304L1275B	51,59	43,69	58,72	79	30,18	72,6	22	14	7,49	12,75	M12x35	-	0,30
207	1"1/2	AFSI305B	61,09	50,80	69,85	94	35,71	82,2	25	16	7,49	13,50	M12x35	1/2"x1"3/4	0,43
207	1"1/2	AFSI305L1475B	61,09	50,80	69,85	94	35,71	82,2	25	16	7,49	14,75	M14x45	-	0,43
207	2"	AFSI306B	72,24	62,74	77,77	102	42,88	96,4	26	16	9,02	13,50	M12x35	1/2"x1"3/4	0,56
207	2"	AFSI306L1475B	72,24	62,74	77,77	102	42,88	96,4	26	16	9,02	14,75	M14x45	-	0,54
172	2"1/2	AFSI307B	84,94	74,93	88,90	114	50,80	108,2	38	19	9,02	13,50	M12x40	1/2"x1"3/4	0,74
172	2"1/2	AFSI307L1475B	84,94	74,93	88,90	114	50,80	108,2	38	19	9,02	14,75	M14x45	-	0,74
138	3"	AFSI308B	102,39	90,93	106,38	135	61,93	130,6	41	22	9,02	16,75	M16x50	5/8"x2"	1,30
34	3"1/2	AFSI309B	115,10	102,36	120,65	152	69,85	139,0	28	22	10,72	17,00	M16x50	5/8"x2"	1,27
34	4"	AFSI310B	127,79	115,06	130,18	162	77,77	152,0	35	25	10,72	17,00	M16x50	5/8"x2"	1,65
34	5"	AFSI311B	153,19	140,46	152,40	184	92,08	180,0	41	28	10,72	17,00	M16x55	5/8"x2"1/4	2,50

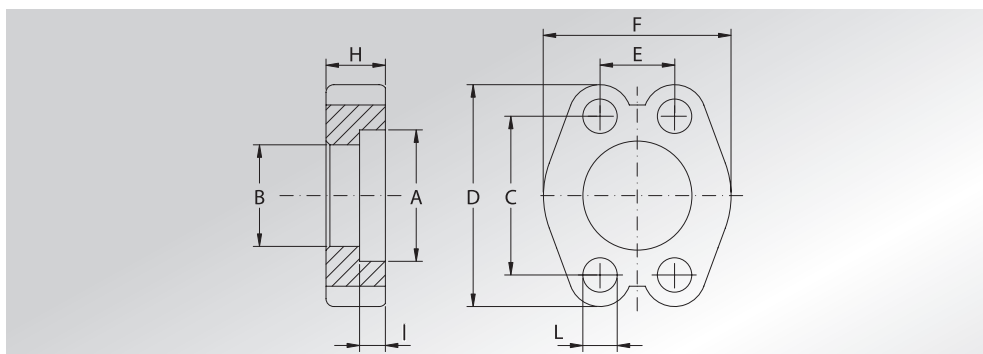
#### SERIE 6000

414	1/2"	AFSI601B	32,54	24,64	40,49	56	18,24	47,2	22	16	7,24	8,75	M8x30	5/16"x1"1/4	0,16
414	3/4"	AFSI602B	42,06	32,51	50,80	71	23,80	60,0	28	19	8,26	11,00	M10x35	3/8"x1"1/2	0,34
414	1"	AFSI603B	48,41	38,86	57,15	81	27,76	69,6	33	24	9,02	13,00	M12x45	-	0,51
414	1"	AFSI603L12B	48,41	38,86	57,15	81	27,76	69,6	33	24	9,02	12,00	-	7/16"x1"3/4	0,51
414	1"1/4	AFSI604	54,76	44,45	66,68	95	31,75	77,2	38	27	9,78	15,00	M14x45	-	0,80
414	1"1/4	AFSI604L13B	54,76	44,45	66,68	95	31,75	77,2	38	27	9,78	13,50	M12x45	1/2"x1"3/4	0,80
414	1"1/2	AFSI605B	64,29	51,56	79,38	113	36,50	95,0	43	30	12,07	17,00	M16x55	5/8"x2"1/4	1,44
414	2"	AFSI606B	80,16	67,56	96,82	133	44,45	113,8	52	37	12,07	21,00	M20x70	3/4"x2"3/4	2,10



## SEMIFLANGE PIATTE INTERE

### UNCUT FLAT SPLIT FLANGES



414	2"1/2	AFPI607 *	108,5	89,50	123,8	180	29,35	76,0	-	45	20,00	26,00	M24x80	7/8"x3"1/4	4,60
414	3"	AFPI608 *	132,5	114,50	152,4	208	35,7	89,0	-	55	25,00	33,00	M30x100	1"1/8"x3"1/2	6,70

DESIGNAZIONE PER ORDINE DESIGNATION FOR ORDER	Materiale / Material	
	S355	AISI 316L
Solo semiflanguia intera Only uncut split flange	AFSI...B / AFPI...	AFXI... / AFPXI...
Semiflanguia intera completa di viti metriche, grower e o-ring Uncut split flange complete of metric screws, grower type washers and o-ring	AFSI...BM / AFPI...M	AFXI...M
Semiflanguia intera completa di viti unc, grower e o-ring Uncut split flange complete of unc screws, grower type washers and o-ring	AFSI...BU	AFXI...U

#### NOTE / NOTES

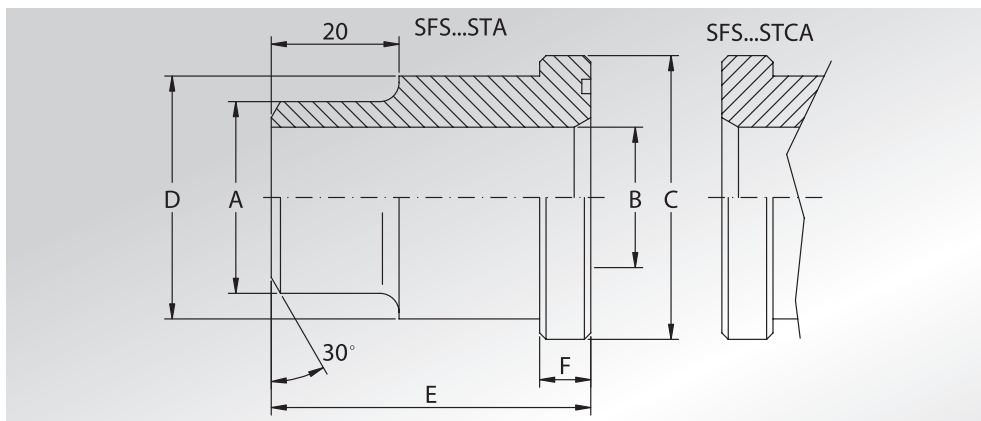
Rivestimento superficiale : zincatura Cr3  
 Superficial coating : zinking Cr3  
 set viti unc disponibili solo in acciaio al carbonio  
 unc screws set available only in carbon steel  
 \* set viti disponibili solo metriche in acciaio al carbonio  
 \* screws set available only metric in carbon steel  
 \* NON ZINCATE  
 \* NOT GALVANIZED





**CODOLI  
A SALDARE DI  
TESTA  
PER TUBO GAS**

**WELD  
ON ADAPTERS  
FOR BSP TUBE**



Pressione max di esercizio raccomandata Kg/cm <sup>2</sup>	Grandezza	Tipo	Dimensioni						Or tipo	Peso Kg
Maximum recommended working pressure Kg/cm <sup>2</sup>	Size	Type	Dimensions						Or type	Weight Kg
			A	B	C	D	E	F		

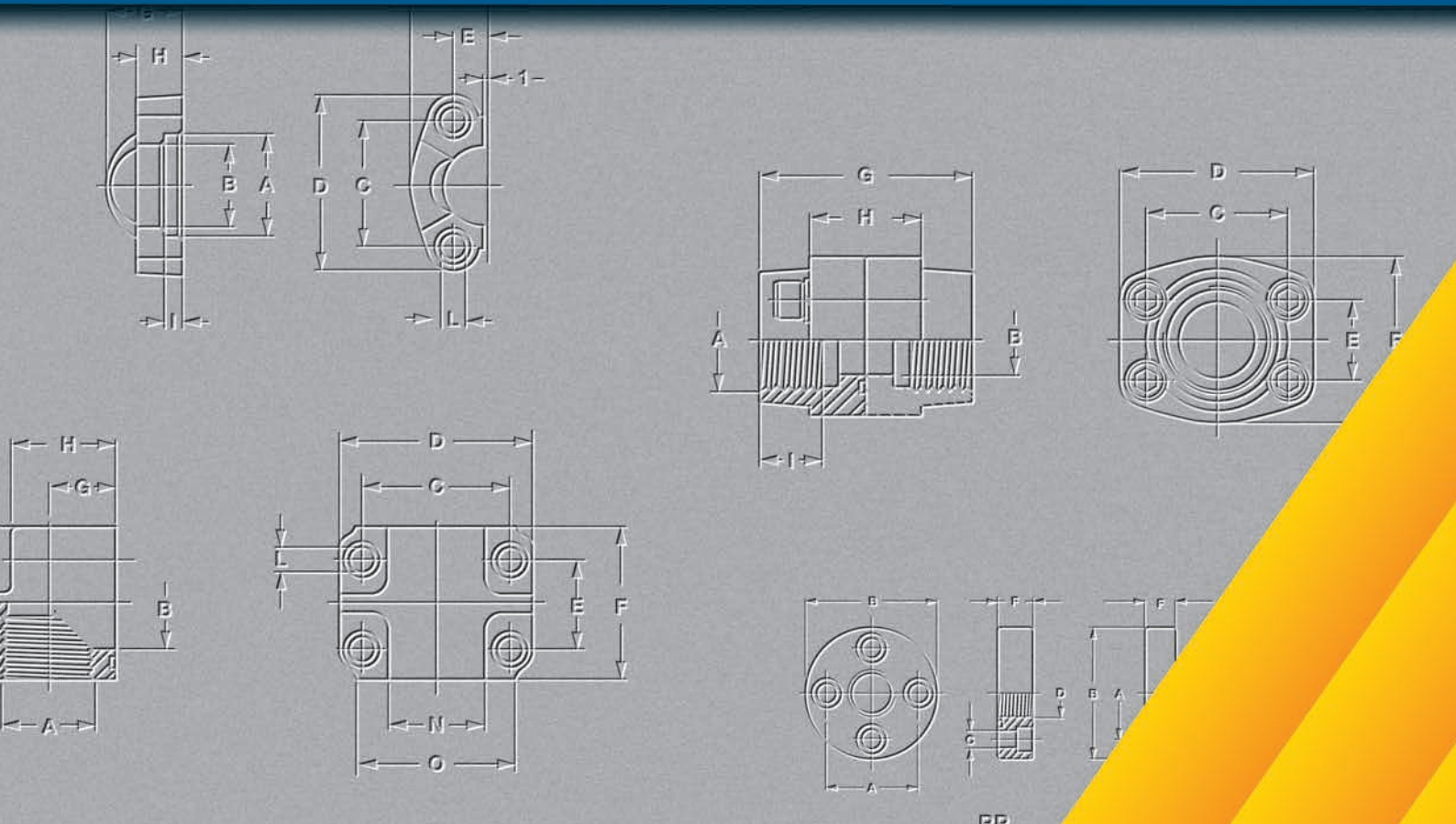
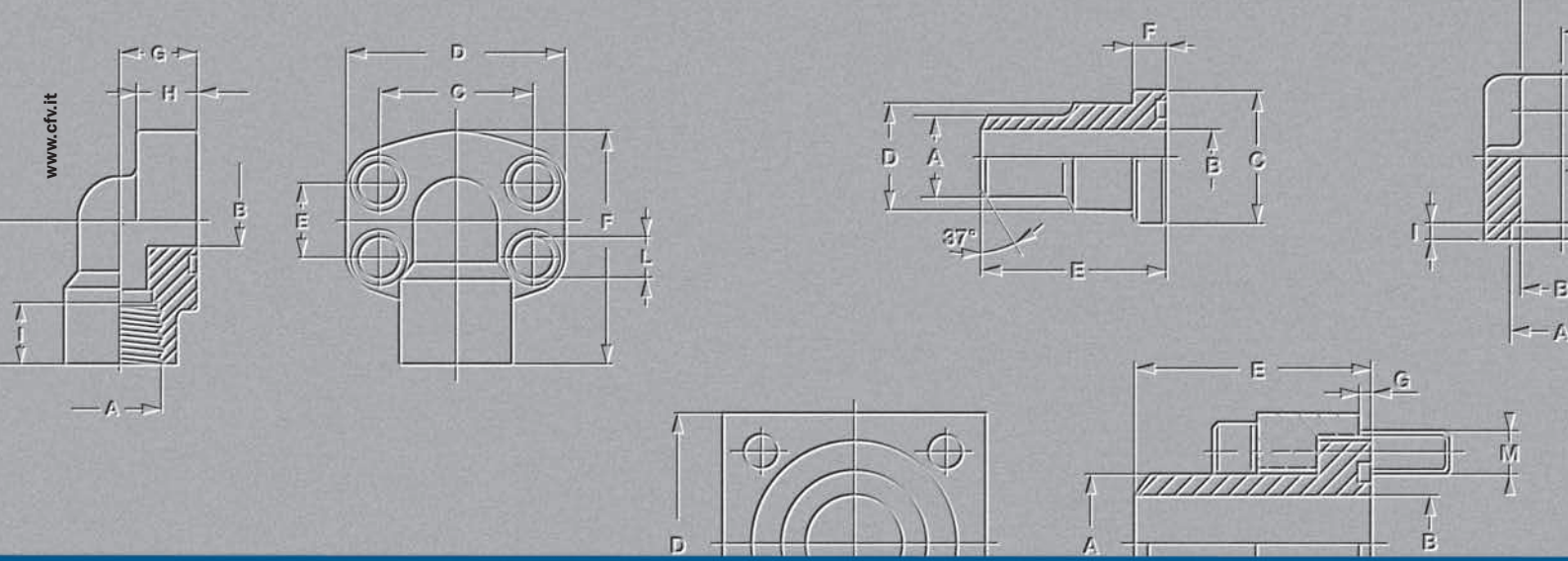
### SERIE 3000

345	1/2"	SFS301STA21	21,5	13	30,2	24	41	6,73	4075	0,08
345	3/4"	SFS302STA28	28,0	19	38,1	32	50	6,73	4100	0,16
345	1"	SFS303STA34	34,0	25	44,4	38	50	8,00	4131	0,23
276	1"1/4	SFS304STA42	42,8	32	50,8	43	55	8,00	4150	0,30
207	1"1/2	SFS305STA48	48,6	38	60,3	50	57	8,00	4187	0,40
207	2"	SFS306STA61	61,0	51	71,4	62	57	9,53	4225	0,50

### SERIE 6000

414	1/2"	SFS601STA21	21,5	13	31,8	24	34	7,75	4075	0,08
414	3/4"	SFS602STA28	28,0	19	41,3	32	38	8,76	4100	0,15
414	1"	SFS603STA34	34,0	25	47,6	38	40	9,53	4131	0,23
414	1"1/4	SFS604STA42	42,8	32	54,0	44	45	10,29	4150	0,30
414	1"1/2	SFS605STA48	48,6	38	63,5	51	50	12,57	4187	0,50
414	2"	SFS606STA61	61,0	51	79,4	67	58	12,57	4225	0,80

DESIGNAZIONE PER ORDINE DESIGNATION FOR ORDER	Materiale / Material	
	A105 o similare (or similar)	AISI 316L
Codolo con sede o-ring Adapter with o-ring groove	<b>SFS...STA</b>	<b>SFX...STA</b>
Codolo senza sede o-ring Adapter without o-ring groove	<b>SFS...STCA</b>	<b>SFX...STCA</b>



**oleo tecnica** s.r.l.

**officina meccanica flange SAE**

Via Geromina, 6/B (Fraz. Geromina)  
24047 Treviglio (Bg) - Italy  
Tel. 0363.40447 - Fax 0363.46933  
[www.oleotecnica.net](http://www.oleotecnica.net)