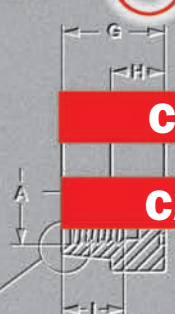
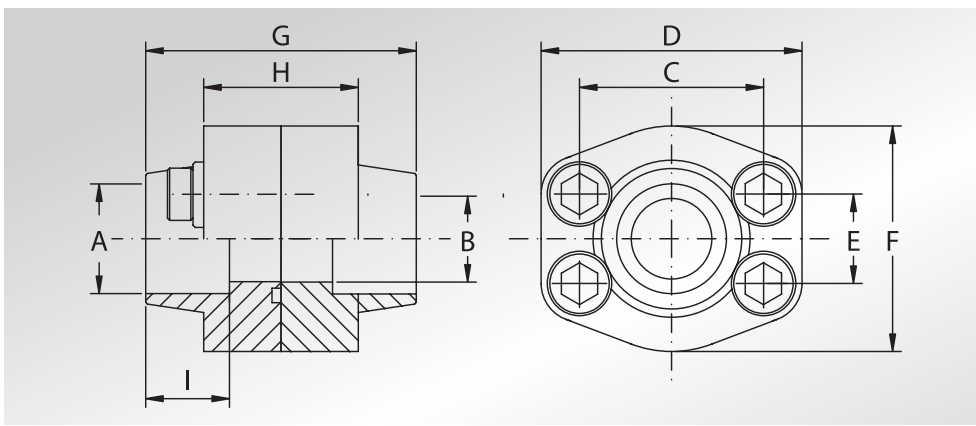


oleo **tecnica**
flange sae

CATALOGO 2018

CATALOGUE 2018





Pressione max di esercizio raccomandata Kg/cm ²	Grandezza	Tipo	Dimensioni									Viti		Or tipo	Peso Kg
Maximum recommended working pressure Kg/cm ²	Size	Type	Dimensions									Screws		Or type	Weight Kg
			A	B	C	D	E	F	G	H	I	Metric	Unc		

SERIE 3000

345	1/2"	DFS080S	21,6	13	38,10	57	17,48	46	72	32	19	M8x30	5/16"x1"1/4	4075	0,56
345	1/2"	DFS080S038	17,5	13	38,10	57	17,48	46	72	32	19	M8x30	5/16"x1"1/4	4075	0,61
345	3/4"	DFS100S	27,2	19	47,63	65	22,23	50	72	36	19	M10x35	3/8"x1"1/2	4100	0,88
345	1"	DFS102S	34,0	25	52,37	70	26,19	55	76	36	19	M10x35	3/8"x1"1/2	4131	1,03
276	1"1/4	DFS104S	42,8	32	58,72	79	30,18	68	82	42	22	M10x40	7/16"x1"3/4	4150	1,50
207	1"1/2	DFS106S	48,6	38	69,85	93	35,71	78	90	50	24	M12x45	1/2"x1"3/4	4187	2,37
207	2"	DFS108S	61,0	51	77,77	102	42,88	90	90	50	26	M12x45	1/2"x1"3/4	4225	2,56
172	2"1/2	DFS110S	76,6	63	88,90	114	50,80	105	100	50	30	M12x45	1/2"x1"3/4	4275	3,13
138	3"	DFS112S	90,5	73	106,38	134	61,93	124	100	54	34	M16x50	5/8"x2"	4337	4,67
34	3"1/2	DFS114S	103,0	89	120,65	152	69,85	136	96	54	34	M16x50	5/8"x2"	4387	5,18
34	4"	DFS116S	115,5	99	130,18	162	77,77	146	96	54	34	M16x50	5/8"x2"	4437	5,98
34	5"	DFS118S	142,0	120	152,40	184	92,08	180	100	56	28	M16x55	5/8"x2"1/4	4537	12,12

SERIE 6000

414	1/2"	DFS401S012	21,6	13	40,49	57	18,24	46	72	32	19	M8x30	5/16"x1"1/4	4075	0,57
414	1/2"	DFS401S038	17,5	13	40,49	57	18,24	46	72	32	19	M8x30	5/16"x1"1/4	4075	0,62
414	3/4"	DFS402S	27,2	19	50,80	71	23,80	55	70	42	22	M10x40	3/8"x1"1/2	4100	1,14
414	1"	DFS403S	34,0	25	57,15	81	27,76	65	84	50	22	M12x45	7/16"x1"3/4	4131	1,76
414	1"1/4	DFS404S	42,8	32	66,68	95	31,75	78	90	54	25	M14x45	-	4150	2,62
414	1"1/4	DFS404SL13	42,8	32	66,68	95	31,75	78	90	54	25	M12x45	1/2"x1"3/4	4150	2,62
414	1"1/2	DFS405S	48,6	38	79,38	112	36,50	94	100	60	28	M16x55	5/8"x2"1/4	4187	4,23
414	2"	DFS406S	61,0	51	96,82	134	44,45	114	130	74	24	M20x70	3/4"x2"3/4	4225	7,63
414	2"1/2	DFS507S *	76,6	63	123,80	180	58,70	152	160	90	30	M24x80	7/8"x3"1/4	4275	15,85
414	3"	DFS508S *	90,5	73	152,40	208	71,40	178	180	110	30	M30x100	1"1/8"x3"1/2	4337	26,2

DESIGNAZIONE PER ORDINE DESIGNATION FOR ORDER	Materiale / Material	
	S355	AISI 316L
Flangia + contoflangia + set viti metriche Flange + counter-flange + metric screws set	DFS...SM	DFX...SM
Flangia + contoflangia + set viti unc Flange + counter-flange + unc screws set	DFS...SU	DFX...SU

NOTE / NOTES

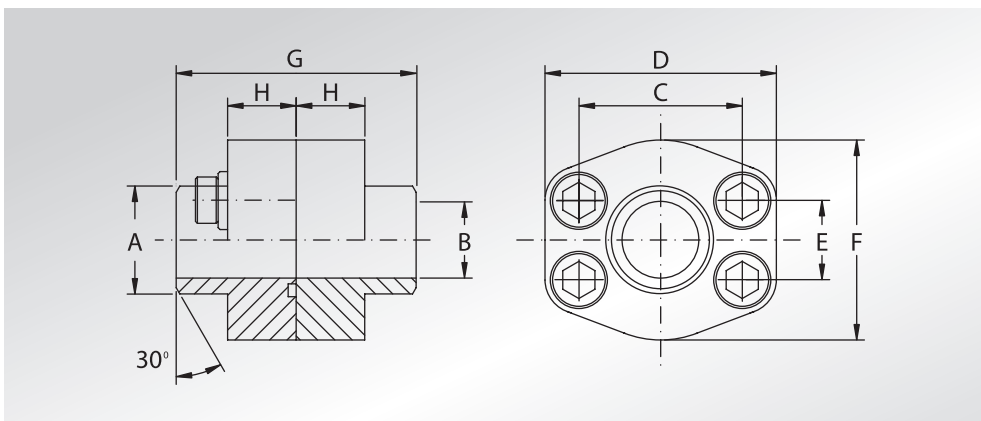
set viti unc disponibili solo in acciaio al carbonio
unc screws set available only in carbon steel

*set viti disponibili solo metriche in acciaio al carbonio
*screws set available only metric in carbon steel



**DOPPIE FLANGE
A SALDARE
DI TESTA
SCH.80; SCH.160;
SCH.XXS**

**WELD ON
DOUBLE FLANGES
SCH.80; SCH.160;
SCH.XXS**



Pressione max di esercizio raccomandata Kg/cm ² (Riferito alla SCH80)	Grandezza	Tipo	Dimensioni										Viti		Or tipo	Peso Kg (Riferito alla SCH80)
Maximum recommended working pressure Kg/cm ² (Referred to SCH80)	Size	Type	Dimensions										Screws		Or type	Weight Kg (Referred to SCH80)
			A	B	C	D	E	F	G	H			Metric	Unc		
SERIE 3000			SCH.80	SCH.160	SCH.XXS											
345	1/2"	DFS080ST	21,5	13	11,8	6,3	38,10	57	17,48	46	72	32	M8x30	5/16"x1"1/4	4075	0,55
345	1/2"	DFS080ST038	17,5	13	—	—	38,10	57	17,48	46	72	32	M8x30	5/16"x1"1/4	4075	0,51
345	3/4"	DFS100ST	28,0	19	15,6	11,0	47,63	65	22,23	50	72	36	M10x35	3/8"x1"1/2	4100	0,86
345	1"	DFS102ST	34,0	25	20,7	15,2	52,37	70	26,19	55	76	36	M10x35	3/8"x1"1/2	4131	0,98
276	1"1/4	DFS104ST	42,8	32	29,5	22,8	58,72	79	30,18	68	82	42	M10x40	7/16"x1"3/4	4150	1,47
207	1"1/2	DFS106ST	48,6	38	34	28,0	69,85	93	35,71	78	88	50	M12x45	1/2"x1"3/4	4187	2,23
207	2"	DFS108ST	61,0	51	42,8	38,2	77,77	102	42,88	90	90	50	M12x45	1/2"x1"3/4	4225	2,56
172	2"1/2	DFS110ST	77,0	63	54	45,0	88,90	114	50,80	105	100	50	M12x45	1/2"x1"3/4	4275	3,38
138	3"	DFS112ST	92,0	73	67,7	58,4	106,38	134	61,93	124	100	54	M16x50	5/8"x2"	4337	5,18
34	3"1/2	DFS114ST	103,0	89	—	—	120,65	152	69,85	136	96	54	M16x50	5/8"x2"	4387	5,23
34	4"	DFS116ST	115,5	99	87,3	80,0	130,18	162	77,77	146	96	54	M16x50	5/8"x2"	4437	6,22
34	5"	DFS118ST	140,2	120	109,5	102,9	152,40	184	92,08	180	100	56	M16x55	5/8"x2"1/4	4537	12,12
SERIE 6000			SCH.80	SCH.160	SCH.XXS											
414	1/2"	DFS401ST012	21,5	13	11,8	6,3	40,49	57	18,24	46	72	32	M8x30	5/16"x1"1/4	4075	0,55
414	1/2"	DFS401ST038	17,5	13	—	—	40,49	57	18,24	46	72	32	M8x30	5/16"x1"1/4	4075	0,51
414	3/4"	DFS402ST	28,0	19	15,6	11,0	50,80	71	23,80	55	70	42	M10x40	3/8"x1"1/2	4100	1,13
414	1"	DFS403ST	34,0	25	20,7	15,2	57,15	79	27,76	68	82	42**	M12x45	7/16"x1"3/4	4131	1,54
375	1"1/4	DFS404ST	42,8	32	29,5	22,8	66,68	93	31,75	78	88	50	M14x45	-	4150	2,37
375	1"1/4	DFS404STL13	42,8	32	29,5	22,8	66,68	93	31,75	78	88	50	M12x45	1/2"x1"3/4	4150	2,37
320	1"1/2	DFS405ST	48,6	38	34	28,0	79,38	112	36,50	94	110	60***	M16x55	5/8"x2"1/4	4187	3,87
250	2"	DFS406ST	61,0	51	42,8	38,2	96,82	134	44,45	114	130	74	M20x70	3/4"x2"3/4	4225	6,75
230	2"1/2	DFS507ST *	76,6	63	54	45,0	123,80	180	58,70	152	160	90	M24x80	7/8"x3"1/4	4275	15,30
200	3"	DFS508ST *	90,0	73	67,7	58,4	152,40	208	71,40	178	180	110	M30x100	1"1/8"x3"1/2	4337	25,55

PER QUESTA TIPOLOGIA DI PRODOTTO, VERIFICATE SEMPRE SE LA QUOTA "A" E "B" CORRISPONDE ALLA SCHEDULA DEL VOSTRO TUBO

FOR THIS KIND OF PRODUCT, PLEASE ALWAYS VERIFY IF DIMENSION "A" AND "B" CORRESPOND TO THE SCHEDULE OF YOUR TUBE

DESIGNAZIONE PER ORDINE DESIGNATION FOR ORDER	Materiale / Material	
	S355	AISI 316L
Flangia + controflangia + set viti metriche Flange + counter-flange + metric screws set	DFS...STM	DFX...STM
Flangia + controflangia + set viti unc Flange + counter-flange + unc screws set	DFS...STU	DFX...STU

NOTE / NOTES

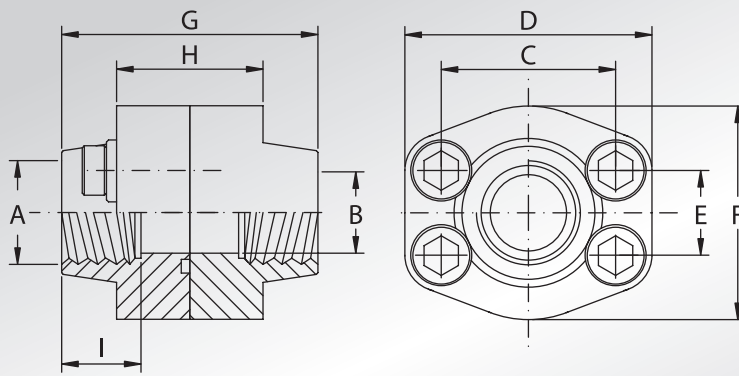
*set viti metriche disponibili solo metriche in acciaio al carbonio

*metric screws set available only metric in carbon steel

**SCH160 e SCHXXS 50 mm

***SCH160 e SCHXXS 56 mm

set viti unc disponibili solo in acciaio al carbonio
unc screws set available only in carbon steel



Pressione max di esercizio raccomandata Kg/cm ²	Grandezza	Tipo	Dimensioni									Viti		Or tipo	Peso Kg
Maximum recommended working pressure Kg/cm ²	Size	Type	Dimensions									Screws		Or type	Weight Kg
			A	B	C	D	E	F	G	H	I	Metric	Unc		

SERIE 3000

												Metric	Unc		
345	1/2"	DFS080G	1/2" GAS	13	38,10	57	17,48	46	72	32	19	M8x30	5/16"x1"1/4	4075	0,57
345	1/2"	DFS080G038	3/8" GAS	13	38,10	57	17,48	46	72	32	19	M8x30	5/16"x1"1/4	4075	0,61
345	3/4"	DFS100G	3/4" GAS	19	47,63	65	22,23	50	72	36	19	M10x35	3/8"x1"1/2	4100	0,90
345	3/4"	DFS100G012	1/2" GAS	13	47,63	65	22,23	50	72	36	19	M10x35	3/8"x1"1/2	4100	0,97
345	1"	DFS102G	1" GAS	25	52,37	70	26,19	55	76	36	22	M10x35	3/8"x1"1/2	4131	1,06
345	1"	DFS102G034	3/4" GAS	19	52,37	70	26,19	55	76	36	22	M10x40	3/8"x1"1/2	4131	1,19
276	1"1/4	DFS104G	1"1/4 GAS	32	58,72	79	30,18	68	82	42	22	M10x40	7/16"x1"3/4	4150	1,50
276	1"1/4	DFS104G100	1" GAS	25	58,72	81	30,18	65	84	50	22	M10x40	7/16"x1"3/4	4150	1,78
207	1"1/2	DFS106G	1"1/2 GAS	38	69,85	93	35,71	78	90	50	24	M12x45	1/2"x1"3/4	4187	2,37
207	1"1/2	DFS106G114	1"1/4 GAS	32	69,85	95	35,71	78	90	54	22	M12x45	1/2"x1"3/4	4187	2,61
207	2"	DFS108G	2" GAS	51	77,77	102	42,88	90	90	50	30	M12x45	1/2"x1"3/4	4225	2,61
207	2"	DFS108G112	1"1/2 GAS	38	77,77	102	42,88	90	90	50	24	M12x45	1/2"x1"3/4	4225	3,31
172	2"1/2	DFS110G	2"1/2 GAS	63	88,90	114	50,80	105	100	50	30	M12x45	1/2"x1"3/4	4275	3,45
173	2"1/2	DFS110G200	2" GAS	51	88,90	114	50,80	105	100	50	30	M12x45	1/2"x1"3/4	4275	4,53
138	3"	DFS112G	3" GAS	73	106,38	134	61,93	124	100	54	34	M16x50	5/8"x2"	4337	5,09
138	3"	DFS112G212	2"1/2 GAS	63	106,38	134	61,93	124	100	54	30	M16x50	5/8"x2"	4337	5,65
34	3"1/2	DFS114G	3"1/2 GAS	89	120,65	152	69,85	136	96	54	34	M16x50	5/8"x2"	4387	5,36
34	3"1/2	DFS114G300	3" GAS	73	120,65	152	69,85	136	96	54	34	M16x50	5/8"x2"	4387	7,08
34	4"	DFS116G	4" GAS	99	130,18	162	77,77	146	96	54	34	M16x50	5/8"x2"	4437	6,08
34	4"	DFS116G312	3"1/2 GAS	89	130,18	162	77,77	146	96	54	34	M16x50	5/8"x2"	4437	7,12
34	5"	DFS118G	5" GAS	120	152,40	184	92,08	180	100	56	30	M16x55	5/8"x2"1/4	4537	12,12

SERIE 6000

414	1/2"	DFS401G012	1/2" GAS	13	40,49	57	18,24	46	72	32	19	M8x30	5/16"x1"1/4	4075	0,57
414	1/2"	DFS401G038	3/8" GAS	13	40,49	57	18,24	46	72	32	19	M8x30	5/16"x1"1/4	4075	0,63
414	3/4"	DFS402G	3/4" GAS	19	50,80	71	23,80	55	70	42	22	M10x40	3/8"x1"1/2	4100	1,19
414	3/4"	DFS402G012	1/2" GAS	13	50,80	71	23,80	55	70	42	19	M10x40	3/8"x1"1/2	4100	1,29
414	1"	DFS403G	1" GAS	25	57,15	81	27,76	65	84	50	24	M12x45	7/16"x1"3/4	4131	1,88
414	1"	DFS403G034	3/4" GAS	19	57,15	81	27,76	65	84	50	22	M12x45	7/16"x1"3/4	4131	1,94
414	1"1/4	DFS404G	1"1/4 GAS	32	66,68	95	31,75	78	90	54	25	M14x45	-	4150	2,63
414	1"1/4	DFS404GL13	1"1/4 GAS	32	66,68	95	31,75	78	90	54	25	M12x45	1/2"x1"3/4	4150	2,63
414	1"1/4	DFS404G100	1" GAS	25	66,68	95	31,75	78	90	54	24	M14x45	-	4150	2,89
414	1"1/4	DFS404G100L13	1" GAS	25	66,68	95	31,75	78	90	54	24	M12x45	1/2"x1"3/4	4150	2,89
414	1"1/2	DFS405G	1"1/2 GAS	38	79,38	112	36,50	94	100	60	28	M16x55	5/8"x2"1/4	4187	4,14
414	1"1/2	DFS405G114	1"1/4 GAS	32	79,38	112	36,50	94	100	60	25	M16x55	5/8"x2"1/4	4187	4,41
414	2"	DFS406G	2" GAS	51	96,82	134	44,45	114	130	74	30	M20x70	3/4"x2"3/4	4225	7,65
414	2"	DFS406G112	1"1/2 GAS	38	96,82	134	44,45	114	130	74	28	M20x70	3/4"x2"3/4	4225	8,63
414	2"1/2	DFS507G *	2"1/2 GAS	63	123,80	180	58,70	152	160	90	35	M24x80	7/8"x3"1/4	4275	15,85
414	3"	DFS508G *	3" GAS	73	152,40	208	71,40	178	180	110	40	M30x100	1"1/8"x3"1/2	4337	26,2

DESIGNAZIONE PER ORDINE DESIGNATION FOR ORDER	Materiale / Material	
	S355	AISI 316L
Flangia + contoflangia + set viti metriche Flange + counter-flange + metric screws set	DFS...GM	DFX...GM
Flangia + contoflangia + set viti unc Flange + counter-flange + unc screws set	DFS...GU	DFX...GU

NOTE / NOTES

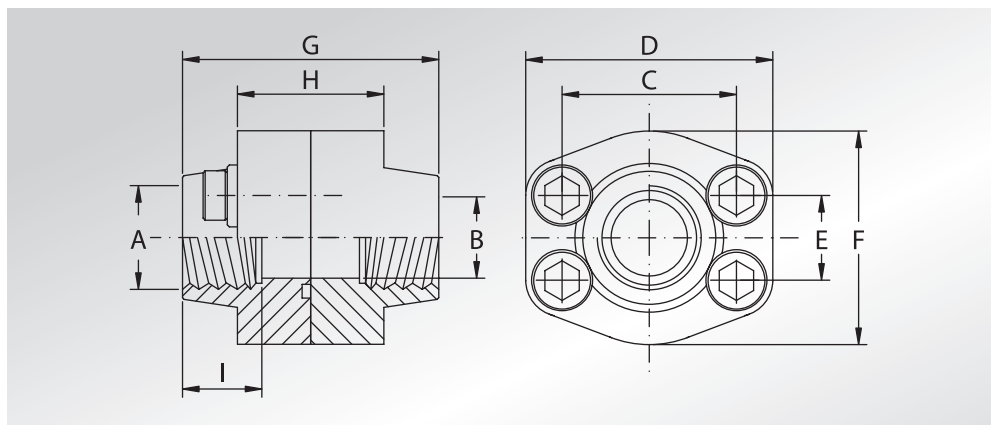
set viti unc disponibili solo in acciaio al carbonio
unc screws set available only in carbon steel

*set viti disponibili solo metriche in acciaio al carbonio
*screws set available only metric in carbon steel



DOPPIE FLANGE FILETTATE NPT

NPT THREADED DOUBLE FLANGES



Pressione max di esercizio raccomandata Kg/cm ²	Grandezza	Tipo	Dimensioni									Viti		Or tipo	Peso Kg
Maximum recommended working pressure Kg/cm ²	Size	Type	Dimensions									Screws		Or type	Weight Kg
			A	B	C	D	E	F	G	H	I	Metric	Unc		

SERIE 3000

												Metric	Unc		
345	1/2"	DFS080N	1/2" NPT	13	38,10	57	17,48	46	72	32	19	M8x30	5/16"x1"1/4	4075	0,57
345	1/2"	DFS080N038	3/8" NPT	13	38,10	57	17,48	46	72	32	19	M8x30	5/16"x1"1/4	4075	0,61
345	3/4"	DFS100N	3/4" NPT	19	47,63	65	22,23	50	72	36	19	M10x35	3/8"x1"1/2	4100	0,90
345	3/4"	DFS100N012	1/2" NPT	13	47,63	65	22,23	50	72	36	19	M10x35	3/8"x1"1/2	4100	0,97
345	1"	DFS102N	1" NPT	25	52,37	70	26,19	55	76	36	22	M10x35	3/8"x1"1/2	4131	1,06
345	1"	DFS102N034	3/4" NPT	19	52,37	70	26,19	55	70	42	19	M10x40	3/8"x1"1/2	4131	1,19
276	1"1/4	DFS104N	1"1/4 NPT	32	58,72	79	30,18	68	82	42	22	M10x40	7/16"x1"3/4	4150	1,50
276	1"1/4	DFS104N100	1" NPT	25	58,72	81	30,18	65	84	50	22	M10x40	7/16"x1"3/4	4150	1,78
207	1"1/2	DFS106N	1"1/2 NPT	38	69,85	93	35,71	78	90	50	24	M12x45	1/2"x1"3/4	4187	2,37
207	1"1/2	DFS106N114	1"1/4 NPT	32	69,85	95	35,71	78	90	54	22	M12x45	1/2"x1"3/4	4187	2,61
207	2"	DFS108N	2" NPT	51	77,77	102	42,88	90	90	50	30	M12x45	1/2"x1"3/4	4225	2,61
207	2"	DFS108N112	1"1/2 NPT	38	77,77	102	42,88	90	90	50	24	M12x45	1/2"x1"3/4	4225	3,31
172	2"1/2	DFS110N	2"1/2 NPT	63	88,90	114	50,80	105	100	50	30	M12x45	1/2"x1"3/4	4275	3,45
138	3"	DFS112N	3" NPT	73	106,38	134	61,93	124	100	54	34	M16x50	5/8"x2"	4337	5,09
34	3"1/2	DFS114N	3"1/2 NPT	89	120,65	152	69,85	136	96	54	34	M16x50	5/8"x2"	4387	5,36
34	4"	DFS116N	4" NPT	99	130,18	162	77,77	146	96	54	34	M16x50	5/8"x2"	4437	6,08
34	5"	DFS118N	5" NPT	120	152,40	184	92,08	180	100	56	30	M16x55	5/8"x2"1/4	4537	12,12

SERIE 6000

414	1/2"	DFS401N012	1/2" NPT	13	40,49	57	18,24	46	72	32	19	M8x30	5/16"x1"1/4	4075	0,57
414	1/2"	DFS401N038	3/8" NPT	13	40,49	57	18,24	46	72	32	19	M8x30	5/16"x1"1/4	4075	0,63
414	3/4"	DFS402N	3/4" NPT	19	50,80	71	23,80	55	70	42	22	M10x40	3/8"x1"1/2	4100	1,19
414	3/4"	DFS402N012	1/2" NPT	13	50,80	71	23,80	55	70	42	19	M10x40	3/8"x1"1/2	4100	1,29
414	1"	DFS403N	1" NPT	25	57,15	81	27,76	65	84	50	24	M12x45	7/16"x1"3/4	4131	1,88
414	1"	DFS403N034	3/4" NPT	19	57,15	81	27,76	65	84	50	22	M12x45	7/16"x1"3/4	4131	1,94
414	1"1/4	DFS404N	1"1/4 NPT	32	66,68	95	31,75	78	90	54	25	M14x45	-	4150	2,63
414	1"1/4	DFS404NL13	1"1/4 NPT	32	66,68	95	31,75	78	90	54	25	M12x45	1/2"x1"3/4	4150	2,63
414	1"1/4	DFS404N100	1" NPT	25	66,68	95	31,75	78	90	54	24	M14x45	-	4150	2,89
414	1"1/4	DFS404N100L13	1" NPT	25	66,68	95	31,75	78	90	54	24	M12x45	1/2"x1"3/4	4150	2,89
414	1"1/2	DFS405N	1"1/2 NPT	38	79,38	112	36,50	94	100	60	28	M16x55	5/8"x2"1/4	4187	4,14
414	1"1/2	DFS405N114	1"1/4 NPT	32	79,38	112	36,50	94	100	60	25	M16x55	5/8"x2"1/4	4187	4,41
414	2"	DFS406N	2" NPT	51	96,82	134	44,45	114	130	74	30	M20x70	3/4"x2"3/4	4225	7,65
414	2"	DFS406N112	1"1/2 NPT	38	96,82	134	44,45	114	130	74	28	M20x70	3/4"x2"3/4	4225	8,63
414	2"1/2	DFS507N *	2"1/2 NPT	63	123,80	180	58,70	152	160	90	35	M24x80	7/8"x3"1/4	4275	15,85
414	3"	DFS508N *	3" NPT	73	152,40	208	71,40	178	180	110	40	M30x100	1"1/8"x3"1/2	4337	26,2

DESIGNAZIONE PER ORDINE DESIGNATION FOR ORDER

Flangia + contoflangia + set viti metriche
Flange + counter-flange + metric screws set

Materiale / Material

S355 AISI 316L

DFS...NM DFX...NM

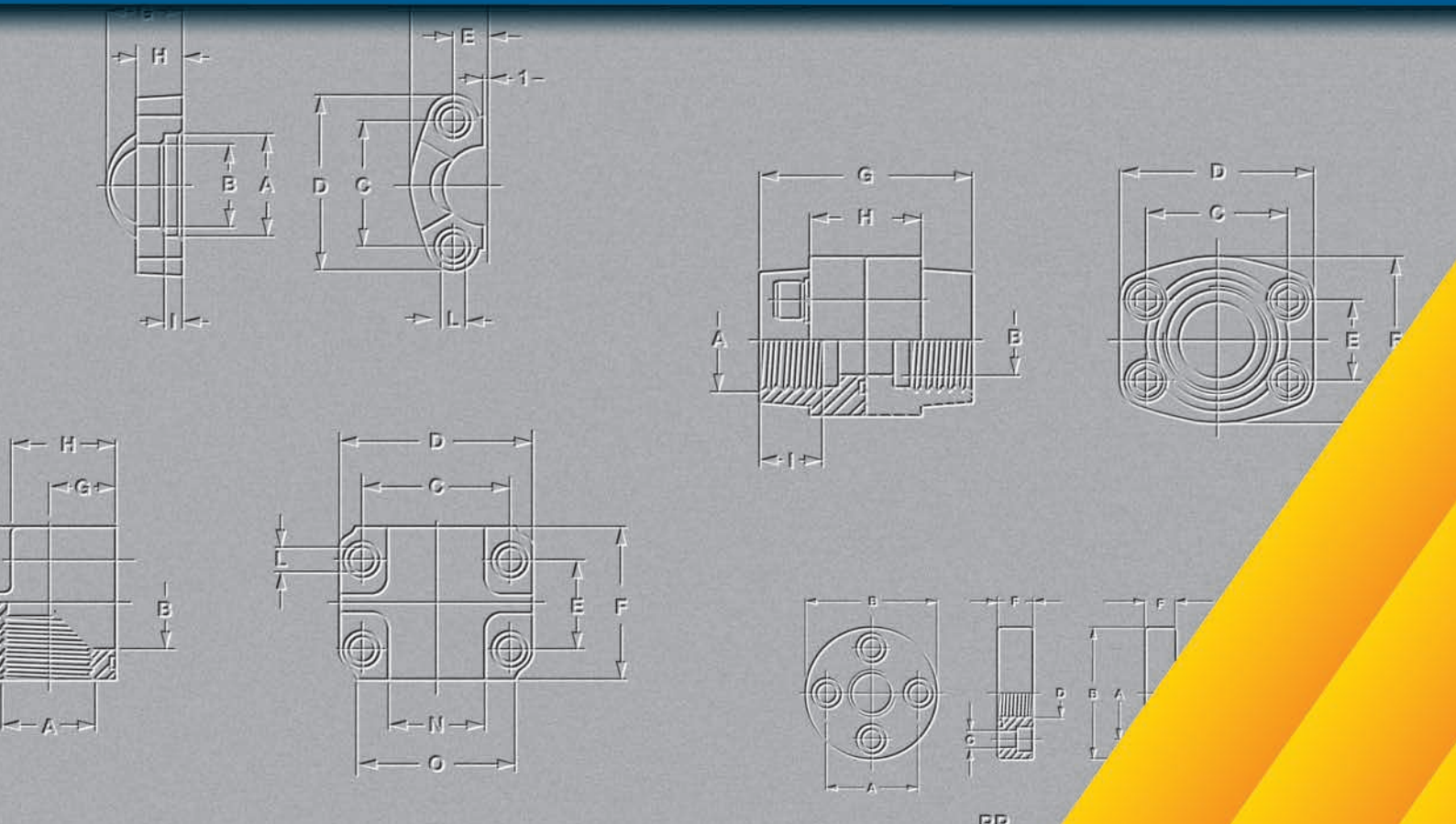
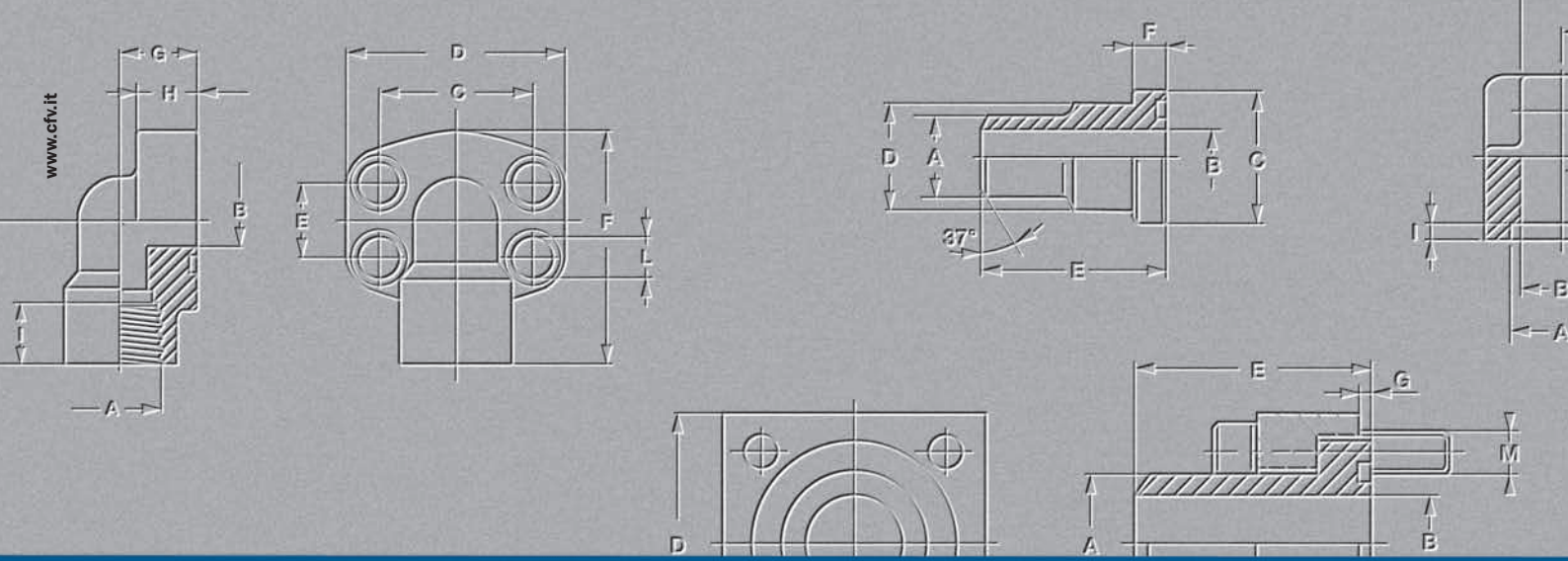
Flangia + contoflangia + set viti unc
Flange + counter-flange + unc screws set

DFS...NU DFX...NU

NOTE / NOTES

set viti unc disponibili solo in acciaio al carbonio
unc screws set available only in carbon steel

*set viti disponibili solo metriche in acciaio al carbonio
*screws set available only metric in carbon steel



oleo tecnica s.r.l.

officina meccanica flange SAE

Via Geromina, 6/B (Fraz. Geromina)
24047 Treviglio (Bg) - Italy
Tel. 0363.40447 - Fax 0363.46933
www.oleotecnica.net