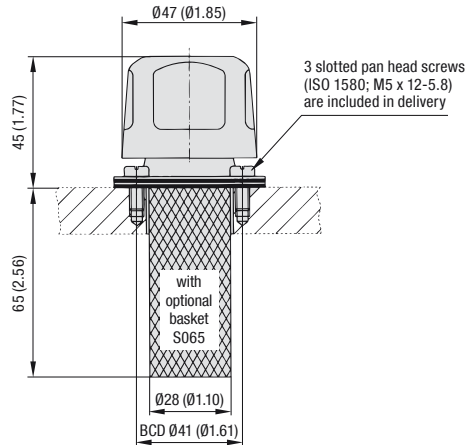


## Metal Filler Breather ▪ Type SMBB-47 (Bayonet Version)



### Characteristics

Designed to be used as filler ports for hydraulic reservoirs, allowing the reservoir to breathe whilst protecting it from contamination found in harsh environments

#### Features

- Cap diameter of Ø47 mm / Ø1.85 in
- Bayonet version with a three-hole bolt pattern

#### Materials

- Breather cap made of Steel, zinc/nickel-plated (Fe/Zn Ni 6) and free of hexavalent chromium CrVI (standard option); chrome-plated and epoxy-coated versions available
- Bayonet flange made of Steel, zinc-plated
- Basket made of Steel, zinc-plated
- Sealings made of Cork

Consult STAUFF for alternative materials.

#### Accessories / Options

- Metal basket (800 µm)
- Air filter element

#### Maximum Air Flow Rate

- 0,40 m<sup>3</sup>/min / 14.13 cfm

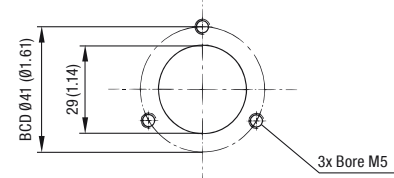
Consult STAUFF for detailed air flow curves.

#### Oil Displacement

- 400 l/min / 106 US GPM

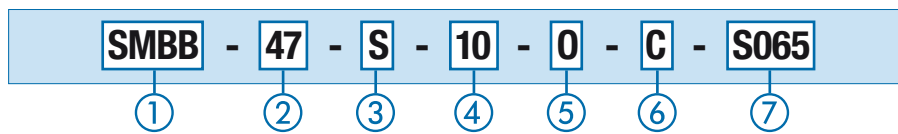
#### Installation

- Three-hole bolt pattern for flange interfaces:



- 3 slotted pan head screws (ISO 1580 M5 x 12-5.8) are included in delivery; can be replaced by regular M5 bolts, if required

### Order Codes



#### ① Type / Version

Metal Filler Breather; Bayonet version **SMBB**

#### ② Cap Diameter / Material / Surface Finishing

Cap diameter Ø47 mm (Ø1.85 in); Breather cap made of Steel, zinc/nickel-plated (standard option) **47**  
 Cap diameter Ø47 mm (Ø1.85 in); Breather cap made of Steel, chrome-plated **47C**  
 Cap diameter Ø47 mm (Ø1.85 in); Breather cap made of Steel, epoxy-coated **47E**

#### ③ Label

With STAUFF logo (standard option) **S**  
 Neutral design without any logo **N**

#### ④ Air Filter Element (Material / Micron Rating)

Without air filter element **00**  
 3 µm Filter Paper **03**  
 10 µm Foam / PUR (standard option) **10**  
 40 µm Foam / PUR **40**

Consult STAUFF for alternative materials / micron ratings.

#### ⑤ Pressurisation

Without pressurisation (standard option) **0**

No pressurisation available for this cap diameter.

#### ⑥ Sealing Material

Cork (standard option) **C**

#### ⑦ Basket Option

Metal basket (65 mm / 2.56 in) **S065**  
 Without basket **0**