



# ANSI 150# FORGED STEEL GLOBE VALVES

## Literature



### Introduction:



Figure 1 ANSI 150# Forged Steel  
Globe Valve

Globe valve is a valve that is used to permit, stop and regulate the flow in a pipeline system. The disc can be lifted up or lifted down vertically by turning the wheel handle to open position or close position. It is designed and manufactured according to ASME B16.10/ASME B16.34/BS 1873/API 602 standard due to different kinds of materials. Inspection and testing had been carried out according to API 598 standard. Globe valve is widely installed on systems that require flow regulating such as fuel oil system and cooling water system.

### Material and Design:

ANSI 150# flange end globe valve is available in stainless steel SS316, cast iron A126B, cast steel WCB, and forged steel A105. For ANSI flange end globe valves, the cover is available in bolted cover type where the cover is tightened with the valve body with screws and nuts to hold the internal parts.

There are two designs for the stem element, namely rising stem design and non-rising stem design. Rising stem design globe valve is a type of globe valve where the stem will rise and be exposed when the valve is turned to open position and lower when the valve is turned to close position. This design allows the user to check if the valve is in open position or close position by looking at the amount of stem that is exposed.

For non-rising stem design globe valves, the valve is in open position when the handle is turning to open position and in close position when the handle is turning to close position. However it is unable to check the position of the non-rising stem globe valve compared to rising stem globe valve. This design globe valve is suitable to install on systems that have limited space, for example, underground pipeline systems.

### Size and Pressure Rating:

The size for the globe valve is available from 1" to 6", subject to material type. ANSI 150# flange end globe valve can withstand up to 150 PSI working pressure.

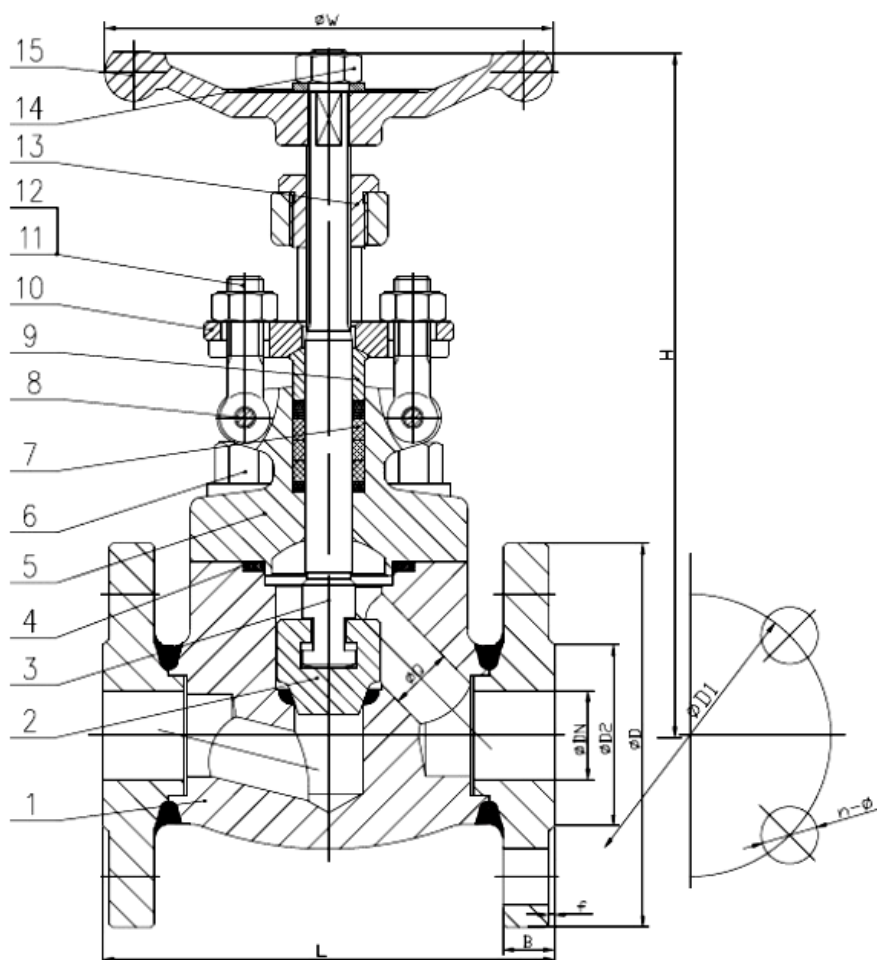


Figure 2 ANSI 150#  
Forged Steel Globe Valve

### Connection Type:

The both end of ANSI globe valve is come with ANSI 150# flange connection. The pipe end has to be in the same flange end connection to connect between pipe and globe valve. Some accessories like gasket, bolts and nuts are needed to connect both flanges together. The number of bolt holes is dependent on globe valve size, for example, 4 bolt hole design for valve size below 4" and 8 bolt hole design for valve size above 4".

### ANSI 150# Forged Steel Globe Valve Drawing:



No	Part Name	Material
1	Body + Seat	ASTM A105 +13Cr
2	Disc	ASTM A276 420
3	Stem	ASTM A182 6A
4	Gasket	SS304 + Graphite
5	Bonnet	ASTM A105
6	Bonnet Bolt	ASTM A193 B7
7	Packing	Graphite
8	Pin	ASTM A307-A
9	Gland	ASTM A276 410

10	Gland Flange	ASTM A105
11	Gland Bolt	ASTM A193 B7
12	Gland Nut	ASTM A194 2H
13	Yoke Sleeve	ASTL 276 410
14	Lock Nut	Carbon Steel
15	Handwheel	ASTM A197

**Main Technical Parameter:**

<b>Normal Pressure</b>	150 PSI
<b>Shell Test Pressure</b>	3.0 MPa
<b>Seal Test</b>	2.2 MPa
<b>Gas-Tightness Test</b>	0.6 MPa
<b>Max Working Pressure</b>	-29°C to 425°C

**Technical Specifications:**

1. Basic design and manufacture according to API 602/BS5352
2. Face to face dimension: ASME B16.10
3. Flange End: ASME B16.5 RF
4. Inspection and test: API 598

## Chuan Kok Hardware & Machinery Pte Ltd

Address : 1783 Geylang Bahru, #01-02, Singapore 339708  
Telephone Number : +65 6294 2566  
Email Address : [info@chuankok.com](mailto:info@chuankok.com)  
Website : [www.chuankok.com](http://www.chuankok.com)  
Business Registration Number : 198201577Z  
Country of Registration : Singapore

### Conditions of Use of Catalogue:

The information in the catalogue are not binding and in order to improve distribution, Chuan Kok Hardware & Machinery Pte Ltd reserves the right to make any change including size and pressure ratings considered necessary at any time and without prior notice. According to the copyright and the civil law, any reproduction (also partial) of figures and texts of this catalogue by means of electronic, mechanical, photocopies, microfilms, recordings or other is forbidden without Chuan Kok Hardware & Machinery Pte Ltd's authorization.  
Catalogue Version: 2021

