

# GLOBE VALVES

## ANSI 150# Cast Steel Globe Valves



### ANSI 150# Cast Steel Flange End Globe Valves

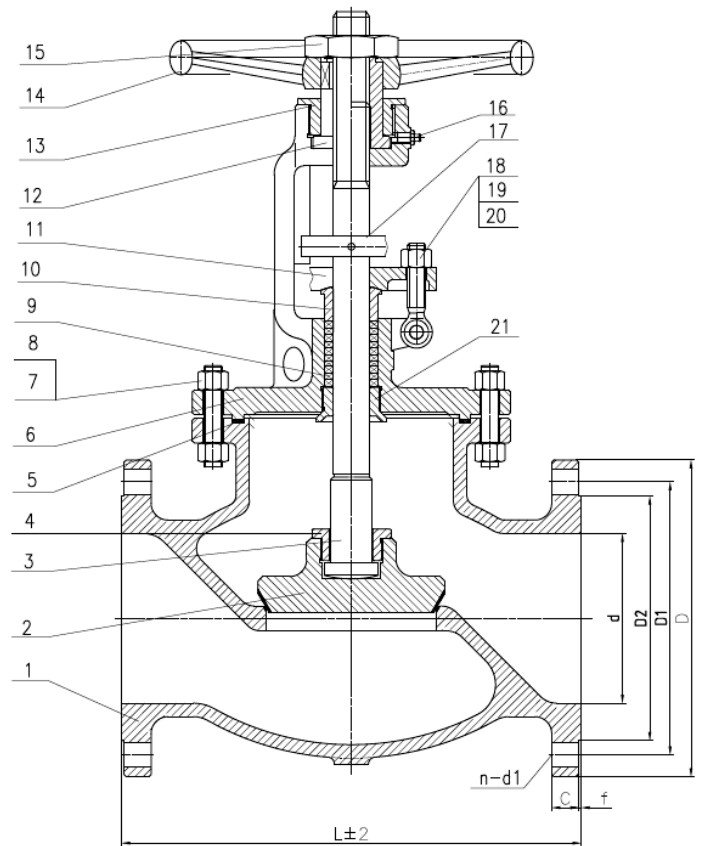
#### Features

- ANSI 150# Flange Connection
- Size: 2" – 4" (DN50 – DN100)
- Valve Body Material: Cast Steel
- Working Pressure: 150#
- Applicable Medium: General oil, gas and water applications
- Temperature Range:  $\leq 425^{\circ}\text{C}$



#### Material List

No.	Part Name	Material
1	Body	ASTM A216 WCB
2	Disc	ASTM A105 + 13%Cr
3	Stem	ASTM A182 F6a
4	Gland	AISI 1035
5	Gasket	304 + Graphite
6	Bonnet	ASTM A216 WCB
7	Bolt	ASTM A193 B7
8	Nut	ASTM A194 2H
9	Packing	Flexible Graphite
10	Gland	ASTM A276 410
11	Gland Flange	ASTM A216 WCB
12	Stem Nut	D2
13	Retaining Nut	AISI 1035
14	Handwheel	ASTM A216 WCB
15	Lock Nut	AISI 1020
16	Nipple	Assembly
17	Plate	ASTM A216 WCB
18	Eye Bolt	AISI 1035
19	Pin	Carbon Steel
20	Nut	ASTM A194 2H
21	Back Seat	ASTM A276 410



#### Technical Specifications

1. Basic design and manufacture according to BS 1873
2. Face to face dimension: ASME B16.10
3. Flange End: ASME B16.5
4. Inspection and test: API 598

Main Technical Parameter			
Normal pressure		150 PSI	
Test pressure	Shell test	3.0	MPa
	Back Seal test	2.2	
	Seal test	2.2	
	Gas test	0.6	
Max working temperature		$\leq 425^{\circ}\text{C}$	
Applicable Medium: General oil, gas & water			

### ANSI 150# Cast Steel Flange End Globe Valves

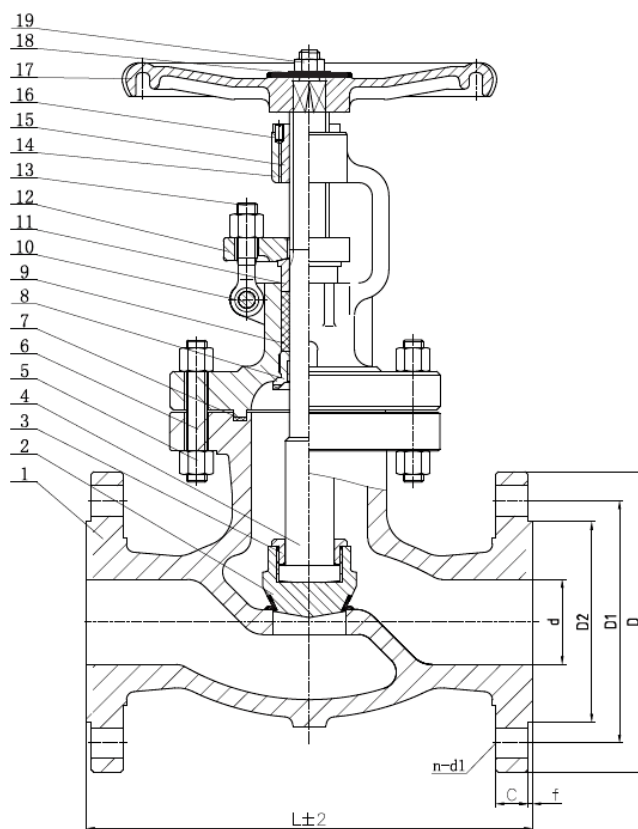
#### Features

- ANSI 150# Flange Connection
- Size: 2 1/2" (DN65)
- Valve Body Material: Cast Steel
- Working Pressure: 150#
- Applicable Medium: General oil, gas and water applications
- Temperature Range: ≤ 425°C



#### Material List

No.	Part Name	Material
1	Body	ASTM A216 WCB +13%Cr
2	Disc	ASTM A105 + 13%Cr
3	Grand	AISI 1035
4	Stem	ASTM A182 F6a
5	Bolt	ASTM A193 B7
6	Nut	ASTM A194 2H
7	Gasket	304 + Graphite
8	Backseat	ASTM A276 410
9	Packing	Graphite
10	Pin	Carbon Steel
11	Grand	ASTM A276 410
12	Packing Grand	ASTM A216 WCB
13	Eye Bolt	AISI 1035
14	Bonnet	ASTM A216 WCB
15	Stem Nut	D2
16	Screw	AISI 1025
17	Handwheel	ASTM A216 WCB
18	Gasket	Carbon Steel
19	Nut	ASTM A194 2H



#### Technical Specifications

1. Basic design and manufacture according to ASME B16.4 & BS 1873
2. Face to face dimension: ASME B16.10
3. Flange End: ASME B16.5
4. Inspection and test: API 598

Main Technical Parameter		
Normal pressure	150 PSI	
Test pressure	Shell test	3.0
	Back Seal test	2.2
	Seal test	2.2
	Gas test	0.6
Max working temperature	≤ 425°C	
Applicable Medium: General oil, gas & water		

**Ordering Information**

VL - CS - GL - F - 150 - 32  
 I II III IV V VI

**I Type of Item**

VL Low Pressure Valves

**II Material Grade**

S	SS316, CF8M	CI	Cast Iron
FS	Forged Steel	CS	Cast Steel
B	Brass		

**III Item**

GA	Gate Valve	B1	1 PC Ball Valve
GL	Globe Valve	B2	2 PC Ball Valve
YS	Y-Strainer	B3	3 PC Ball Valve
SC	Swing Check Valve	BL	3 Way Ball Valve L Port
VC	Vertical Check Valve	BT	3 Way Ball Valve T Port
WC	Wafer Check Valve	BMF	Male x Female Mini Ball Valve
DD	Dual Disk	BU	Butterfly Valve

**IV Connection Type**

SW	S/W	G	BSPP
BW	B/W	N	NPT
R	BSPT	F	Flange End
W	Wafer	L	Lug

**V Pressure**

200	200 PSI	2000	2000 PSI
300	300 PSI	150	ANSI 150# Flange Standard
600	600 PSI	10K	JIS 10K Flange Standard
800	800 PSI	PN16	PN 16 Flange Standard
1000	1000 PSI		

**For Inch OD & Inch NB Sizes**
**VI Size**

Size	1/8"	1/4"	5/16"	3/8"	1/2"	5/8"	3/4"	1"
Code	02	04	05	06	08	10	12	16
Size	1 1/4"	1 1/2"	2"	2 1/2"	3"	4"	5"	6"
Code	20	24	32	40	48	64	80	96

**VII Coating**

(None) No Additional Coating  
 NI Nickel Plating

**Dimension List**
**DN50 – DN100**

NPS	Part No	d	L	D	D1	D2	n – d1	C	f	Weight (Kg)
2"	VL-CS-GL-F-150-32	51	203	152	120.7	92.1	4-Ø19	17.5	2	17.50
3"	VL-CS-GL-F-150-48	76	241	190	152.4	127	4-Ø19	22.3	2	30.00
4"	VL-CS-GL-F-150-64	102	292	230	190.5	157	8-Ø19	22.3	2	43.50

**DN65**

NPS	Part No	d	L	D	D1	D2	n – d1	C	f	Weight (Kg)
2 1/2"	VL-CS-GL-F-150-40	65	216	180	139.7	104.8	4-Ø19	15.9	2	22.50

**Part Number Reference**

Part No	Description
VL-CS-GL-F-150-32	2" 150# CS FLANGE END GLOBE VALVE RF, RISING STEM, SS410 STEM
VL-CS-GL-F-150-40	2 1/2" 150# CS FLANGE END GLOBE VALVE RF, RISING STEM, SS410 STEM
VL-CS-GL-F-150-48	3" 150# CS FLANGE END GLOBE VALVE RF, RISING STEM, SS410 STEM
VL-CS-GL-F-150-64	4" 150# CS FLANGE END GLOBE VALVE RF, RISING STEM, SS410 STEM

## Chuan Kok Hardware & Machinery Pte Ltd

Address : 1783 Geylang Bahru, #01-02, Singapore 339708  
Telephone Number : +65 6294 2566  
Email Address : [info@chuankok.com](mailto:info@chuankok.com)  
Website : [www.chuankok.com](http://www.chuankok.com)  
Business Registration Number : 198201577Z  
Country of Registration : Singapore

### Conditions of Use of Catalogue:

The information in the catalogue are not binding and in order to improve distribution, Chuan Kok Hardware & Machinery Pte Ltd reserves the right to make any change including size and pressure ratings considered necessary at any time and without prior notice. According to the copyright and the civil law, any reproduction (also partial) of figures and texts of this catalogue by means of electronic, mechanical, photocopies, microfilms, recordings or other is forbidden without Chuan Kok Hardware & Machinery Pte Ltd's authorization.  
Catalogue Version: 2021

