

GLOBE VALVES

Threaded End SS316 Globe Valves (800PSI)



Stainless Steel Threaded End Globe Valves 800 PSI

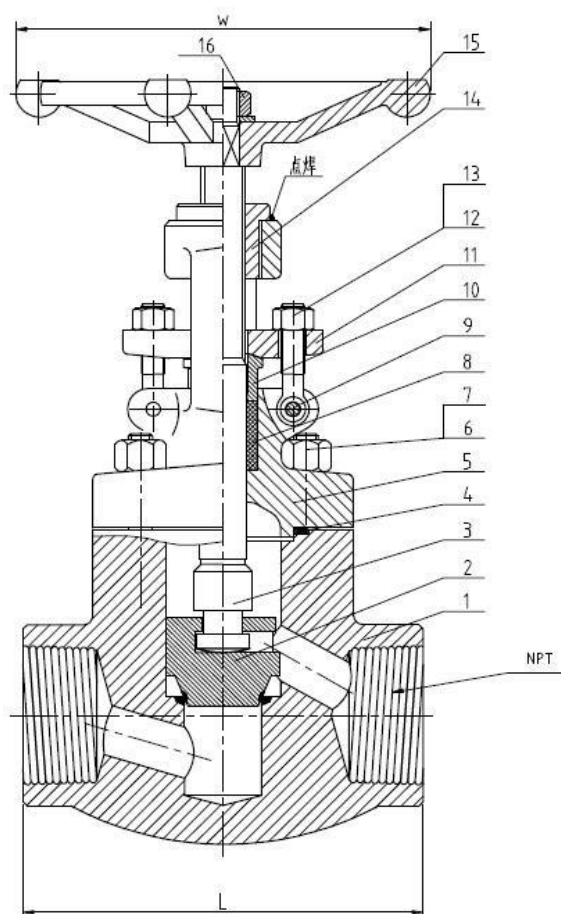
Features

- Threaded End: NPT
- Size: 1/2" – 2" (DN15 – DN50)
- Valve Body Material: SS316
- Working Pressure: 800 PSI
- Applicable Medium: General oil, gas and water applications
- Temperature Range: $\leq 200^{\circ}\text{C}$



Material List

No.	Part Name	Material
1	Body	F316 + STL
2	Disc	316 + STL
3	Stem	316
4	Gasket	316 + Flexible Graphite
5	Bonnet	F316
6	Stud Bolt	SS304
7	Nut	SS304
8	Packing	Flexible Graphite
9	Pin	304
10	Gland	316
11	Gland Flange	F304
12	Gland Eyebolt	SS304
13	Hex Nut	SS304
14	Stem Nut	410
15	Handwheel	A197
16	Hex Nut	ASTM 1035



Technical Specifications

1. Basic design and manufacture according to API 602.
2. Inspection and test for according to API 598.
3. Connection screw for the valve according to ANSI B1.20.1

Main Technical Parameter			
Normal pressure		800 PSI	
Test pressure	Strength Test	21.5	MPa
	Back Seat Test	15.5	
	Sealing Test	15.5	
	Air Sealing Test	0.6	
Max working temperature: ≤ 200			$^{\circ}\text{C}$
Applicable Medium: General oil, gas & water			

Ordering Information

VL - S - GL - N - 800 - 08
 I II III IV V VI

I Type of Item

VL Low Pressure Valves

II Material Grade

S	SS316, CF8M	CI	Cast Iron
FS	Forged Steel	CS	Cast Steel
B	Brass		

III Item

GA	Gate Valve	B1	1 PC Ball Valve
GL	Globe Valve	B2	2 PC Ball Valve
YS	Y-Strainer	B3	3 PC Ball Valve
SC	Swing Check Valve	BL	3 Way Ball Valve L Port
VC	Vertical Check Valve	BT	3 Way Ball Valve T Port
WC	Wafer Check Valve	BMF	Male x Female Mini Ball Valve
DD	Dual Disk	BU	Butterfly Valve

IV Connection Type

SW	S/W	G	BSPP
BW	B/W	N	NPT
R	BSPT	F	Flange End
W	Wafer	L	Lug

V Pressure

200	200 PSI	2000	2000 PSI
300	300 PSI	150	ANSI 150# Flange Standard
600	600 PSI	10K	JIS 10K Flange Standard
800	800 PSI	PN16	PN 16 Flange Standard
1000	1000 PSI		

For Inch OD & Inch NB Sizes

VI Size

Size	1/8"	1/4"	5/16"	3/8"	1/2"	5/8"	3/4"	1"
Code	02	04	05	06	08	10	12	16
Size	1 1/4"	1 1/2"	2"	2 1/2"	3"	4"	5"	6"
Code	20	24	32	40	48	64	80	96

VII Coating

(None) No Additional Coating
 NI Nickel Plating

Dimension List

NPS	DN	L	W	Weight (Kg)
1/2"	15	80	100	2.25
3/4"	20	92	100	2.50
1"	25	110	122	4.20
1 1/4"	32	120	155	5.90
1 1/2"	40	151	155	7.90
2"	50	173	180	12.30

Part Number Reference

Part No	Description
VL-S-GL-N-800-08	1/2"NPT SS316 GLOBE VALVE 800 PSI STELLITE HARD FACED DISC AND SEAT
VL-S-GL-N-800-12	3/4"NPT SS316 GLOBE VALVE 800 PSI STELLITE HARD FACED DISC AND SEAT
VL-S-GL-N-800-16	1"NPT SS316 GLOBE VALVE 800 PSI STELLITE HARD FACED DISC AND SEAT
VL-S-GL-N-800-20	1 1/4"NPT SS316 GLOBE VALVE 800 PSI STELLITE HARD FACED DISC AND SEAT
VL-S-GL-N-800-24	1 1/2"NPT SS316 GLOBE VALVE 800 PSI STELLITE HARD FACED DISC AND SEAT
VL-S-GL-N-800-32	2"NPT SS316 GLOBE VALVE 800 PSI STELLITE HARD FACED DISC AND SEAT

Chuan Kok Hardware & Machinery Pte Ltd

Address : 1783 Geylang Bahru, #01-02, Singapore 339708
Telephone Number : +65 6294 2566
Email Address : info@chuankok.com
Website : www.chuankok.com
Business Registration Number : 198201577Z
Country of Registration : Singapore

Conditions of Use of Catalogue:

The information in the catalogue are not binding and in order to improve distribution, Chuan Kok Hardware & Machinery Pte Ltd reserves the right to make any change including size and pressure ratings considered necessary at any time and without prior notice.

According to the copyright and the civil law, any reproduction (also partial) of figures and texts of this catalogue by means of electronic, mechanical, photocopies, microfilms, recordings or other is forbidden without Chuan Kok Hardware & Machinery Pte Ltd's authorization.

Catalogue Version: 2021

