



THREADED END SS316 GLOBE VALVES (200PSI)

Literature





Figure 1 Threaded End SS316 Globe Valve 200 PSI

Introduction:

Globe valve is a valve that is used to start, stop and regulate fluids flow along the valve passage. The disc will be lifted up or lower down vertically along the seat by rotating the wheel handle to open position or close position. It is designed and manufactured according to API 602 and ASME B16.34 standard. It also inspects and tests according to API 598 standard. Globe valve is applicable to systems that require flow regulating such as cooling water system, fuel oil system and extraction drain system.

Material and Design:

Globe valve is available in stainless steel SS316 or forged steel A105 material. For the stainless steel SS316 gate valve, it is available in 2 designs namely screw-in bonnet type or bolted bonnet type. While for forged steel A105 gate valve, it is only available in bolted bonnet type only. For globe valves with screw-in bonnet design, a bonnet is screwed into the valve body to hold internal parts inside the valve body, and offer a pressure tight seal between the bonnet and valve body. While for globe valves with bolted bonnet design, the bonnet comes with thicker specifications and tightens the valve body with bolts and nuts. This design is normally used for high pressure applications. The handle design of the globe valve is in wheel shape handle design.

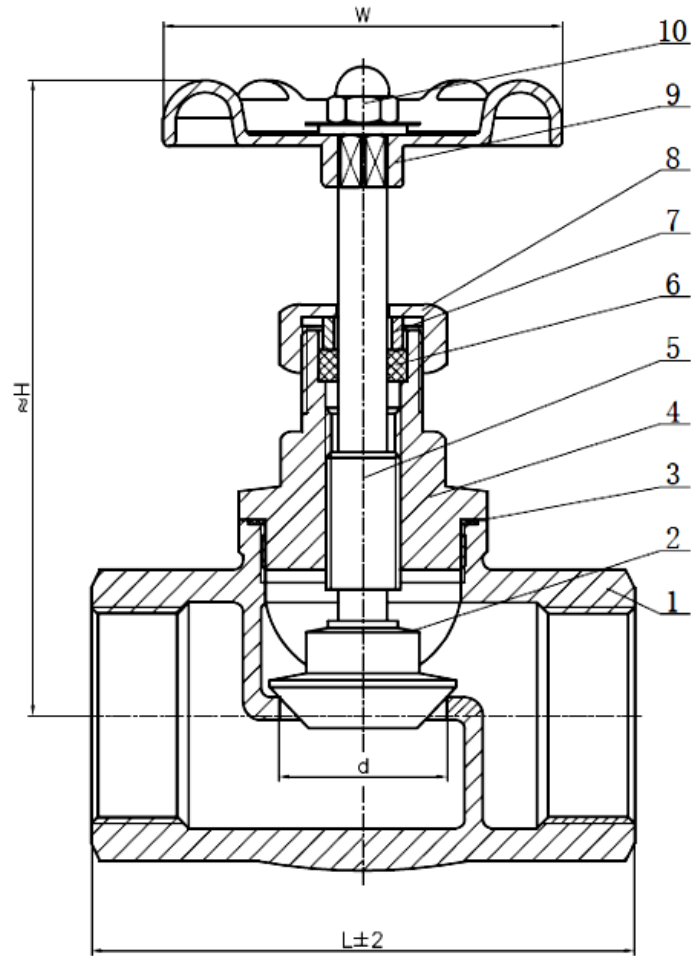
For the stem part, which is one of the essential parts for globe valves, it is available in rising stem design and non-rising stem design. For globe valves with rising stem design, the stem will rise and be exposed when we rotate the wheel handle to open position and lower when we rotate the wheel handle to close position. This design can simply tell us if the valve is in open position or close position by looking at the amount of stem exposed. However for globe valves that come with non-rising stem design, the valve is in open position when we rotate the handle to the open position as far as possible and in close position when we rotate the handle to the close position as far as possible. Although it is unable to check the valve in open or close position like rising stem design, non-rising stem design globe valve is more suitable to install on hydraulic piping systems that have limited space for the stem to raise in full, for example, underground hydraulic systems.

Size and Pressure Rating:

The available size for the globe valve is ranged from 1/2" to 2". For SS316 material globe valve, the working pressure is available at 200 PSI and 800 PSI. While for A105 material globe valve, the working pressure is available in 800 PSI. As the globe valve is mainly used to regulate the flow, the flow will result in higher pressure drop compared to the gate valve.

Connection Type:

For SS316 material globe valve, the connection end is only available in NPT (National Pipe Thread) female thread or BSPP (British Standard Pipe Parallel) female thread. While for A105 material globe valve, the connection end is available in NPT female thread or Socket Weld. For the female thread globe valve, it needs a male thread of the same connection end to screw in to the gate valve. However for socket weld connection, it only needs the pipe end connection in the plain end.

Threaded End SS316 Globe Valve 200 PSI Drawing:


No	Part Name	Material
1	Body	A351 CF8/CF8M
2	Strainer Screen	SS316
3	Bolt	PTFE
4	Gasket	A351 CF8/CF8M
5	Bonnet	SS316
6	Nut	PTFE
7	Bolt	PTFE
8	Bonnet	A351 CF8/CF8M
9	Handwheel	ZL101
10	Nut	SS304

Main Technical Parameter:

Nominal Pressure	200 PSI
Shell Test Pressure	2.1 MPa
Seal Test	1.6 MPa
Gas-Tightness Test	0.6 MPa
Max Working Pressure	-29°C to 150°C

Technical Specifications:

1. Basic design and manufacture according to ASME B16.34
2. Inspection and test according to API 598.
3. Connection screw for the valve according to ASME B1.20.1, BS 2779.

Chuan Kok Hardware & Machinery Pte Ltd

Address : 1783 Geylang Bahru, #01-02, Singapore 339708
Telephone Number : +65 6294 2566
Email Address : info@chuankok.com
Website : www.chuankok.com
Business Registration Number : 198201577Z
Country of Registration : Singapore

Conditions of Use of Catalogue:

The information in the catalogue are not binding and in order to improve distribution, Chuan Kok Hardware & Machinery Pte Ltd reserves the right to make any change including size and pressure ratings considered necessary at any time and without prior notice. According to the copyright and the civil law, any reproduction (also partial) of figures and texts of this catalogue by means of electronic, mechanical, photocopies, microfilms, recordings or other is forbidden without Chuan Kok Hardware & Machinery Pte Ltd's authorization.
Catalogue Version: 2021

