

GATE VALVES

JIS10K Cast Iron Flange End Gate Valves



JIS 10K Cast Iron Flange End Gate Valves

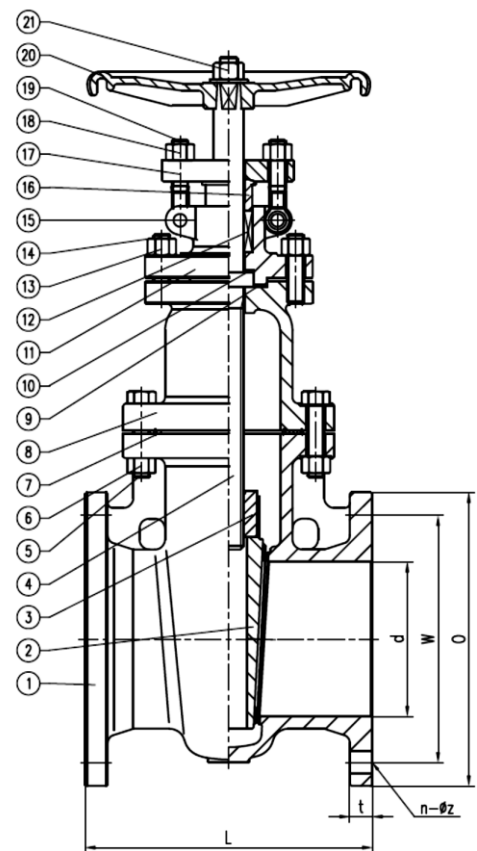
Features

- JIS 10K Flange Connection
- Size: 2" – 4" (DN50 – DN100)
- Valve Body Material: Cast Iron
- Working Pressure: 10kg/cm²
- Applicable Medium: General oil, gas and water applications
- Temperature Range: ≤ 205°C



Material List

| No. | Part Name | Material |
|-----|---------------|-------------------|
| 1 | Body | ASTM A126 B + SS |
| 2 | Wedge | ASTM A126 B + SS |
| 3 | Stem Nut | ASTM A276 410 |
| 4 | Stem | ASTM A276 410 |
| 5 | Bolts | ASTM A29 1035 |
| 6 | Nuts | ASTM A29 1025 |
| 7 | Gasket | SS304+Graphite |
| 8 | Bonnet | ASTM A126 B |
| 9 | Gasket | Flexible Graphite |
| 10 | Thrust Washer | SS |
| 11 | Yoke | ASTM A126 B |
| 12 | Packing | Flexible Graphite |
| 13 | Nuts | ASTM A29 1025 |
| 14 | Bolts | ASTM A29 1035 |
| 15 | Pin | ASTM A29 1025 |
| 16 | Packing Gland | ASTM A276 410 |
| 17 | Gland Flange | ASTM A126 B |
| 18 | Nuts | ASTM A29 1025 |
| 19 | Eye Bolts | ASTM A29 1035 |
| 20 | Handwheel | ASTM A47 32510 |
| 21 | Nut | ASTM A29 1025 |



Technical Specifications

1. Basic design and manufacture according to ASME B16.10
2. Face to face dimension: ASME B16.10
3. Flange End: JIS B2212
4. Inspection and test: API 598

| Main Technical Parameter | | | |
|---|----------------------|---------|-----|
| Normal pressure | | 10K | |
| Test pressure | Hydraulic body test | 2.06 | MPa |
| | Seal test | 1.57 | |
| | Hermetical seal test | 0.6 | |
| Max working temperature | | ≤ 205°C | |
| Applicable Medium: General oil, gas & water | | | |

JIS 10K Cast Iron Flange End Gate Valves

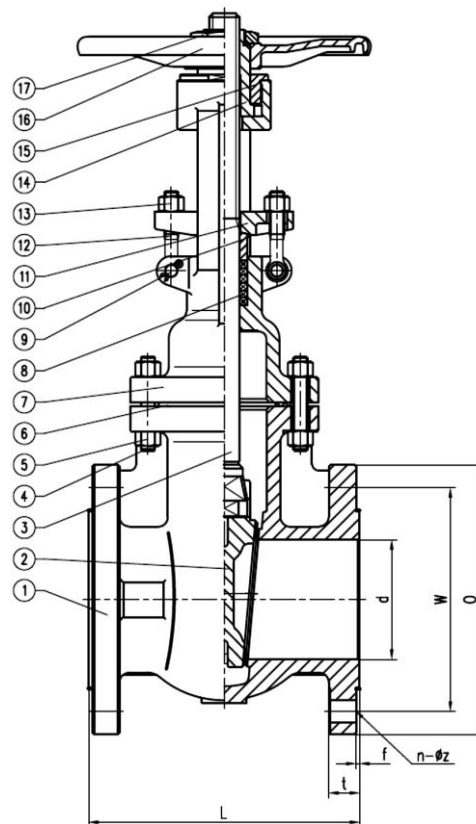
Features

- JIS 10K Flange Connection
- Size: 5" – 6" (DN125 – DN150)
- Valve Body Material: Cast Iron
- Working Pressure: 10kg/cm²
- Applicable Medium: General oil, gas and water applications
- Temperature Range: ≤ 429°C



Material List

| No. | Part Name | Material |
|-----|---------------|---------------------|
| 1 | Body | ASTM A126 B + SS304 |
| 2 | Wedge | ASTM A126 B + SS304 |
| 3 | Stem | ASTM A276 304 |
| 4 | Bolts | ASTM A29 1035 |
| 5 | Nuts | ASTM A29 1025 |
| 6 | Gasket | SS304 + Graphite |
| 7 | Bonnet | ASTM A126 B |
| 8 | Packing | Flexible Graphite |
| 9 | Pin | ASTM A29 1045 |
| 10 | Packing Gland | ASTM A276 304 |
| 11 | Gland Flange | ASTM A126 B |
| 12 | Eye Bolts | ASTM A29 1035 |
| 13 | Nuts | ASTM A29 1025 |
| 14 | Stem Nut | ASTM A276 410 |
| 15 | Cover | ASTM A29 1025 |
| 16 | Handwheel | ASTM A47 32510 |
| 17 | Nut | ASTM A29 1025 |



Technical Specifications

- Basic design and manufacture according to ASME B16.10
- Face to face dimension: ASME B16.10
- Flange End: JIS B2212
- Inspection and test: API 598

| Main Technical Parameter | | | |
|---|----------------------|---------|-----|
| Normal pressure | | 10K | |
| Test pressure | Hydraulic body test | 2.06 | MPa |
| | Seal test | 1.57 | |
| | Hermetical seal test | 0.6 | |
| Max working temperature | | ≤ 429°C | |
| Applicable Medium: General oil, gas & water | | | |

Ordering Information

VL - CI - GA - F - 10K - 32
 I II III IV V VI

I Type of Item

VL Low Pressure Valves

II Material Grade

| | | | |
|----|--------------|----|------------|
| S | SS316, CF8M | CI | Cast Iron |
| FS | Forged Steel | CS | Cast Steel |
| B | Brass | | |

III Item

| | | | |
|----|----------------------|-----|-------------------------------|
| GA | Gate Valve | B1 | 1 PC Ball Valve |
| GL | Globe Valve | B2 | 2 PC Ball Valve |
| YS | Y-Strainer | B3 | 3 PC Ball Valve |
| SC | Swing Check Valve | BL | 3 Way Ball Valve L Port |
| VC | Vertical Check Valve | BT | 3 Way Ball Valve T Port |
| WC | Wafer Check Valve | BMF | Male x Female Mini Ball Valve |
| DD | Dual Disk | BU | Butterfly Valve |

IV Connection Type

| | | | |
|----|-------|---|------------|
| SW | S/W | G | BSPP |
| BW | B/W | N | NPT |
| R | BSPT | F | Flange End |
| W | Wafer | L | Lug |

V Pressure

| | | | |
|------|----------|------|---------------------------|
| 200 | 200 PSI | 2000 | 2000 PSI |
| 300 | 300 PSI | 150 | ANSI 150# Flange Standard |
| 600 | 600 PSI | 10K | JIS 10K Flange Standard |
| 800 | 800 PSI | PN16 | PN 16 Flange Standard |
| 1000 | 1000 PSI | | |

For Inch OD & Inch NB Sizes
VI Size

| | | | | | | | | |
|------|--------|--------|-------|--------|------|------|------|----|
| Size | 1/8" | 1/4" | 5/16" | 3/8" | 1/2" | 5/8" | 3/4" | 1" |
| Code | 02 | 04 | 05 | 06 | 08 | 10 | 12 | 16 |
| Size | 1 1/4" | 1 1/2" | 2" | 2 1/2" | 3" | 4" | 5" | 6" |
| Code | 20 | 24 | 32 | 40 | 48 | 64 | 80 | 96 |

VII Coating

(None) No Additional Coating
 NI Nickel Plating

Dimension List
DN50 – DN100

| NPS | Part No | d | L | O | W | n – Øz | t | Weight (Kg) |
|--------|-------------------|-----|-----|-----|-----|--------|----|-------------|
| 2" | VL-CI-GA-F-10K-32 | 50 | 200 | 155 | 120 | 4-Ø19 | 20 | 19.10 |
| 2 1/2" | VL-CI-GA-F-10K-40 | 65 | 220 | 175 | 140 | 4-Ø19 | 22 | 25.60 |
| 3" | VL-CI-GA-F-10K-48 | 80 | 230 | 185 | 150 | 8-Ø19 | 22 | 34.00 |
| 4" | VL-CI-GA-F-10K-64 | 100 | 250 | 210 | 175 | 8-Ø19 | 24 | 45.80 |

DN125 – DN150

| NPS | Part No | d | L | O | W | n – Øz | t | f | Weight (Kg) |
|-----|-------------------|-----|-----|-----|-------|--------|------|---|-------------|
| 5" | VL-CI-GA-F-10K-80 | 125 | 250 | 250 | 216 | 8-Ø22 | 23.9 | 2 | 49.00 |
| 6" | VL-CI-GA-F-10K-96 | 150 | 270 | 280 | 241.5 | 8-Ø22 | 25.4 | 2 | 60.20 |

Part Number Reference

| Part No | Description |
|-------------------|--|
| VL-CI-GA-F-10K-32 | 2"JIS10K CI FLANGE END GATE VALVE FF, NON-RISING STEM, JIS F7364 |
| VL-CI-GA-F-10K-40 | 2 1/2"JIS10K CI FLANGE END GATE VALVE FF, NON-RISING STEM, JIS F7364 |
| VL-CI-GA-F-10K-48 | 3"JIS10K CI FLANGE END GATE VALVE FF, NON-RISING STEM, JIS F7364 |
| VL-CI-GA-F-10K-64 | 4"JIS10K CI FLANGE END GATE VALVE FF, NON-RISING STEM, JIS F7364 |
| VL-CI-GA-F-10K-80 | 5"JIS10K CI FLANGE END GATE VALVE RF, RISING STEM, SS304 TRIM |
| VL-CI-GA-F-10K-96 | 6"JIS10K CI FLANGE END GATE VALVE RF, RISING STEM, SS304 TRIM |

Chuan Kok Hardware & Machinery Pte Ltd

Address : 1783 Geylang Bahru, #01-02, Singapore 339708
Telephone Number : +65 6294 2566
Email Address : info@chuankok.com
Website : www.chuankok.com
Business Registration Number : 198201577Z
Country of Registration : Singapore

Conditions of Use of Catalogue:

The information in the catalogue are not binding and in order to improve distribution, Chuan Kok Hardware & Machinery Pte Ltd reserves the right to make any change including size and pressure ratings considered necessary at any time and without prior notice. According to the copyright and the civil law, any reproduction (also partial) of figures and texts of this catalogue by means of electronic, mechanical, photocopies, microfilms, recordings or other is forbidden without Chuan Kok Hardware & Machinery Pte Ltd's authorization.
Catalogue Version: 2021

