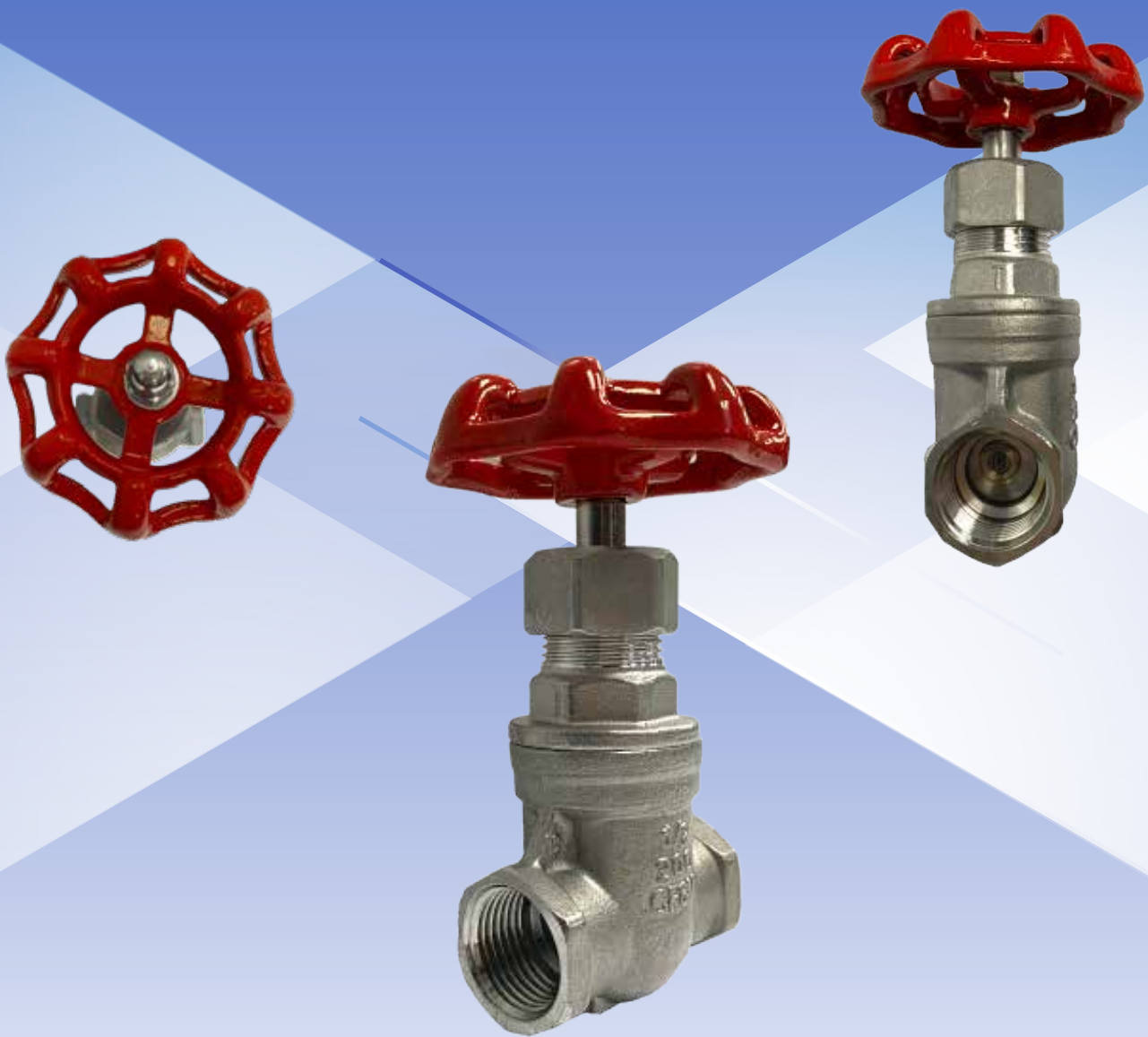


GATE VALVES

Threaded End SS316 Gate Valves (200PSI)



Stainless Steel Threaded End Gate Valves 200 PSI

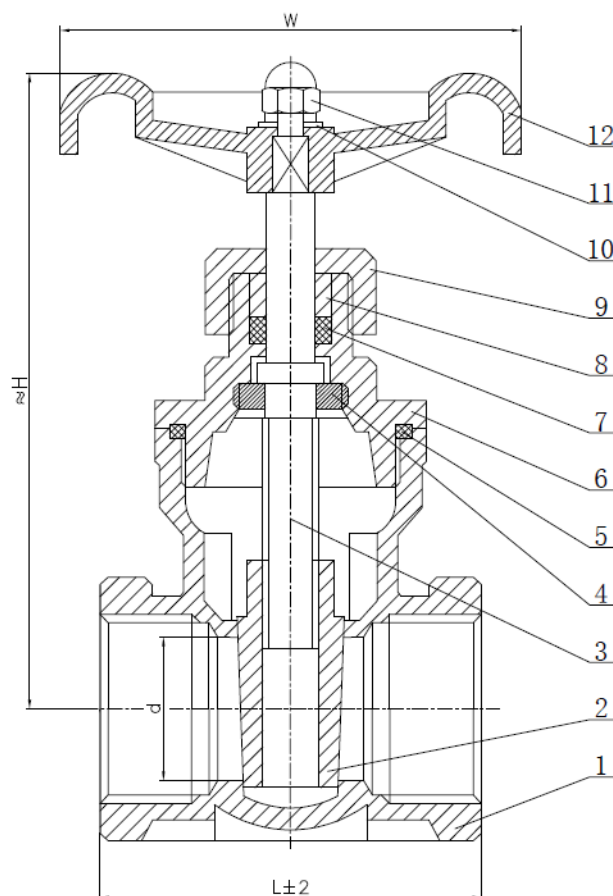
Features

- Threaded End: BSPP, NPT
- Size: 1/2" – 2" (DN15 – DN50)
- Valve Body Material: SS316
- Working Pressure: 200 PSI
- Applicable Medium: General oil, gas and water applications
- Temperature Range: -29°C to 150°C



Material List

| No. | Part Name | Material |
|-----|-------------|---------------|
| 1 | Body | A351 CF8/CF8M |
| 2 | Wedge | A351 CF8/CF8M |
| 3 | Stem | SS316 |
| 4 | Stem Holder | SS316 |
| 5 | Gasket | PTFE |
| 6 | Bonnet | A351 CF8/CF8M |
| 7 | Packing | PTFE |
| 8 | Ring | SS316 |
| 9 | Cap | A351 CF8/CF8M |
| 10 | Gasket | SS304 |
| 11 | Nut | SS304 |
| 12 | Handwheel | ZL101 |



Technical Specifications

1. Basic design and manufacture according to ASME B16.34
2. Inspection and test for according to API 598
3. Connection screw for the valve according to ASME B1.20.1, BS2779

| Main Technical Parameter | | | |
|---|------------|----------------|-----|
| Nominal Pressure | | 200 PSI | |
| Test Pressure | Shell Test | 2.1 | MPa |
| | Seal Test | 1.6 | |
| | Gas Test | 0.6 | |
| Max Working Temperature | | -29°C to 150°C | |
| Applicable Medium: General oil, gas & water | | | |

Ordering Information

VL - S - GA - N - 200 - 08
 I II III IV V VI

I Type of Item

VL Low Pressure Valves

II Material Grade

| | | | |
|----|--------------|----|------------|
| S | SS316, CF8M | CI | Cast Iron |
| FS | Forged Steel | CS | Cast Steel |
| B | Brass | | |

III Item

| | | | |
|----|----------------------|-----|-------------------------------|
| GA | Gate Valve | B1 | 1 PC Ball Valve |
| GL | Globe Valve | B2 | 2 PC Ball Valve |
| YS | Y-Strainer | B3 | 3 PC Ball Valve |
| SC | Swing Check Valve | BL | 3 Way Ball Valve L Port |
| VC | Vertical Check Valve | BT | 3 Way Ball Valve T Port |
| WC | Wafer Check Valve | BMF | Male x Female Mini Ball Valve |
| DD | Dual Disk | BU | Butterfly Valve |

IV Connection Type

| | | | |
|----|-------|---|------------|
| SW | S/W | G | BSPP |
| BW | B/W | N | NPT |
| R | BSPT | F | Flange End |
| W | Wafer | L | Lug |

V Pressure

| | | | |
|------|----------|------|---------------------------|
| 200 | 200 PSI | 2000 | 2000 PSI |
| 300 | 300 PSI | 150 | ANSI 150# Flange Standard |
| 600 | 600 PSI | 10K | JIS 10K Flange Standard |
| 800 | 800 PSI | PN16 | PN 16 Flange Standard |
| 1000 | 1000 PSI | | |

For Inch OD & Inch NB Sizes
VI Size

| | | | | | | | | |
|------|--------|--------|-------|--------|------|------|------|----|
| Size | 1/8" | 1/4" | 5/16" | 3/8" | 1/2" | 5/8" | 3/4" | 1" |
| Code | 02 | 04 | 05 | 06 | 08 | 10 | 12 | 16 |
| Size | 1 1/4" | 1 1/2" | 2" | 2 1/2" | 3" | 4" | 5" | 6" |
| Code | 20 | 24 | 32 | 40 | 48 | 64 | 80 | 96 |

VII Coating

(None) No Additional Coating
 NI Nickel Plating

Dimension List

| NPS | d | L | H | W | Weight (Kg) |
|--------|------|----|-----|-----|-------------|
| 1/2" | 13.7 | 55 | 95 | 70 | 0.37 |
| 3/4" | 18.3 | 60 | 102 | 70 | 0.47 |
| 1" | 24.2 | 65 | 115 | 80 | 0.59 |
| 1 1/4" | 25.3 | 75 | 130 | 80 | 0.82 |
| 1 1/2" | 31.6 | 80 | 145 | 100 | 1.16 |
| 2" | 44.5 | 95 | 170 | 100 | 1.64 |

Part Number Reference

| Part No | Description |
|------------------|-------------------------------------|
| VL-S-GA-G-200-08 | 1/2"BSPP SS316 GATE VALVE 200 PSI |
| VL-S-GA-G-200-12 | 3/4"BSPP SS316 GATE VALVE 200 PSI |
| VL-S-GA-G-200-16 | 1"BSPP SS316 GATE VALVE 200 PSI |
| VL-S-GA-G-200-20 | 1 1/4"BSPP SS316 GATE VALVE 200 PSI |
| VL-S-GA-G-200-24 | 1 1/2"BSPP SS316 GATE VALVE 200 PSI |
| VL-S-GA-G-200-32 | 2"BSPP SS316 GATE VALVE 200 PSI |
| VL-S-GA-N-200-08 | 1/2"NPT SS316 GATE VALVE 200 PSI |
| VL-S-GA-N-200-12 | 3/4"NPT SS316 GATE VALVE 200 PSI |
| VL-S-GA-N-200-16 | 1"NPT SS316 GATE VALVE 200 PSI |
| VL-S-GA-N-200-20 | 1 1/4"NPT SS316 GATE VALVE 200 PSI |
| VL-S-GA-N-200-24 | 1 1/2"NPT SS316 GATE VALVE 200 PSI |
| VL-S-GA-N-200-32 | 2"NPT SS316 GATE VALVE 200 PSI |

Chuan Kok Hardware & Machinery Pte Ltd

Address : 1783 Geylang Bahru, #01-02, Singapore 339708
Telephone Number : +65 6294 2566
Email Address : info@chuankok.com
Website : www.chuankok.com
Business Registration Number : 198201577Z
Country of Registration : Singapore

Conditions of Use of Catalogue:

The information in the catalogue are not binding and in order to improve distribution, Chuan Kok Hardware & Machinery Pte Ltd reserves the right to make any change including size and pressure ratings considered necessary at any time and without prior notice. According to the copyright and the civil law, any reproduction (also partial) of figures and texts of this catalogue by means of electronic, mechanical, photocopies, microfilms, recordings or other is forbidden without Chuan Kok Hardware & Machinery Pte Ltd's authorization.
Catalogue Version: 2021

