

Y-STRAINERS

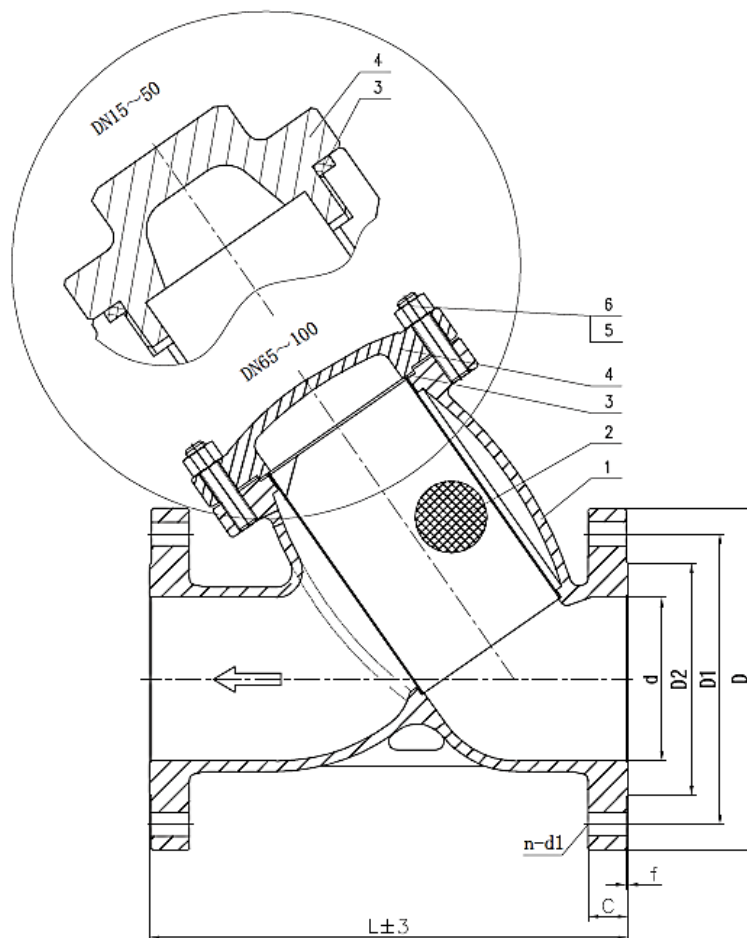
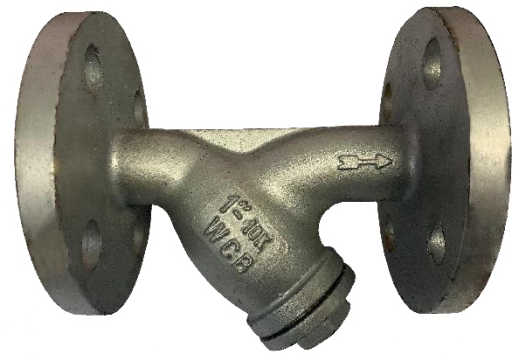
JIS10K Cast Steel Y-Strainers



JIS 10K Cast Steel Flange End Y-Strainers WCB

Features

- Size: 1" – 4" (DN25 - DN100)
- JIS 10K Flange Connection
- Working Pressure: 10kg/cm²
- Temperature Range: -29°C to 150°C
- Screen: 1.0mm (Mesh Size 40)
- Applicable Medium: General oil, gas & water applications
- Used to collect containment and particles



Technical Specifications

1. Basic design and manufacture according to JIS B2071.
2. Flange connection per JIS B 2220.
3. Inspection and tested according to JIS B2003.

Main Technical Parameter			
Normal pressure		10	K
Test pressure	Shell test	3.0	MPa
	Seal test	-	
	Gas test	-	
Max working temperature		-29 to 150	°C
Applicable Medium: General oil, gas & water			

Ordering Information

VL - CS - YS - F - 10K - 16
 I II III IV V VI

I Type of Item

VL Low Pressure Valves

II Material Grade

S	SS316, CF8M	CI	Cast Iron
FS	Forged Steel	CS	Cast Steel
B	Brass		

III Item

GA	Gate Valve	B1	1 PC Ball Valve
GL	Globe Valve	B2	2 PC Ball Valve
YS	Y-Strainer	B3	3 PC Ball Valve
SC	Swing Check Valve	BL	3 Way Ball Valve L Port
VC	Vertical Check Valve	BT	3 Way Ball Valve T Port
WC	Wafer Check Valve	BMF	Male x Female Mini Ball Valve
DD	Dual Disk	BU	Butterfly Valve

IV Connection Type

SW	S/W	G	BSPP
BW	B/W	N	NPT
R	BSPT	F	Flange End
W	Wafer	L	Lug

V Pressure

200	200 PSI	2000	2000 PSI
300	300 PSI	150	ANSI 150# Flange Standard
600	600 PSI	10K	JIS 10K Flange Standard
800	800 PSI	PN16	PN 16 Flange Standard
1000	1000 PSI		

For Inch OD & Inch NB Sizes
VI Size

Size	1/8"	1/4"	5/16"	3/8"	1/2"	5/8"	3/4"	1"
Code	02	04	05	06	08	10	12	16
Size	1 1/4"	1 1/2"	2"	2 1/2"	3"	4"	5"	6"
Code	20	24	32	40	48	64	80	96

VII Coating

(None) No Additional Coating
 NI Nickel Plating

Material List

No.	Part Name	Material
1	Body	WCB
2	Filter Screen	SS304
3	Gasket	PTFE
4	Cover	WCB
5	Bolt	ASTM A193 B7
6	Nut	ASTM A194 2H

Dimension List

NPS	Connection	Impa Code	Part No	d	D	D1	D2	L	C	f	n-d1	Weight (Kg)
1"	Flange-End	-	VL-CS-YS-F-10K-16	25	125	90	68	154	16	2	4-M16	2.50
1 1/4"	Flange-End	-	VL-CS-YS-F-10K-20	32	136	101	75	180	16	2	4-M16	4.40
1 1/2"	Flange-End	-	VL-CS-YS-F-10K-24	40	140	105	81	200	16	2	4-M16	5.00
2"	Flange-End	-	VL-CS-YS-F-10K-32	50	155	120	96	220	16	2	4-M16	8.00
2 1/2"	Flange-End	-	VL-CS-YS-F-10K-40	65	175	140	116	255	18	2	4-M16	11.50
3"	Flange-End	-	VL-CS-YS-F-10K-48	80	185	150	126	280	18	2	8-M16	15.00
4"	Flange-End	-	VL-CS-YS-F-10K-64	100	210	175	151	310	18	2	8-M16	22.00

Part Number Reference

Impa Code	Part No	Description
-	VL-CS-YS-F-10K-16	1"JIS10K CS FLANGE END Y-STRAINER WCB, MESH SIZE 1.0MM, BOLTED COVER
-	VL-CS-YS-F-10K-20	1 1/4"JIS10K CS FLANGE END Y-STRAINER WCB, MESH SIZE 1.0MM, BOLTED COVER
-	VL-CS-YS-F-10K-24	1 1/2"JIS10K CS FLANGE END Y-STRAINER WCB, MESH SIZE 1.0MM, BOLTED COVER
-	VL-CS-YS-F-10K-32	2"JIS10K CS FLANGE END Y-STRAINER WCB, MESH SIZE 1.0MM, BOLTED COVER
-	VL-CS-YS-F-10K-40	2 1/2"JIS10K CS FLANGE END Y-STRAINER WCB, MESH SIZE 1.0MM, BOLTED COVER
-	VL-CS-YS-F-10K-48	3"JIS10K CS FLANGE END Y-STRAINER WCB, MESH SIZE 1.0MM, BOLTED COVER
-	VL-CS-YS-F-10K-64	4"JIS10K CS FLANGE END Y-STRAINER WCB, MESH SIZE 1.0MM, BOLTED COVER

Chuan Kok Hardware & Machinery Pte Ltd

Address : 1783 Geylang Bahru, #01-02, Singapore 339708
Telephone Number : +65 6294 2566
Email Address : info@chuankok.com
Website : www.chuankok.com
Business Registration Number : 198201577Z
Country of Registration : Singapore

Conditions of Use of Catalogue:

The information in the catalogue are not binding and in order to improve distribution, Chuan Kok Hardware & Machinery Pte Ltd reserves the right to make any change including size and pressure ratings considered necessary at any time and without prior notice. According to the copyright and the civil law, any reproduction (also partial) of figures and texts of this catalogue by means of electronic, mechanical, photocopies, microfilms, recordings or other is forbidden without Chuan Kok Hardware & Machinery Pte Ltd's authorization.
Catalogue Version: 2021

