



ANSI 150# CAST STEEL Y-STRAINERS

Literature



Introduction:

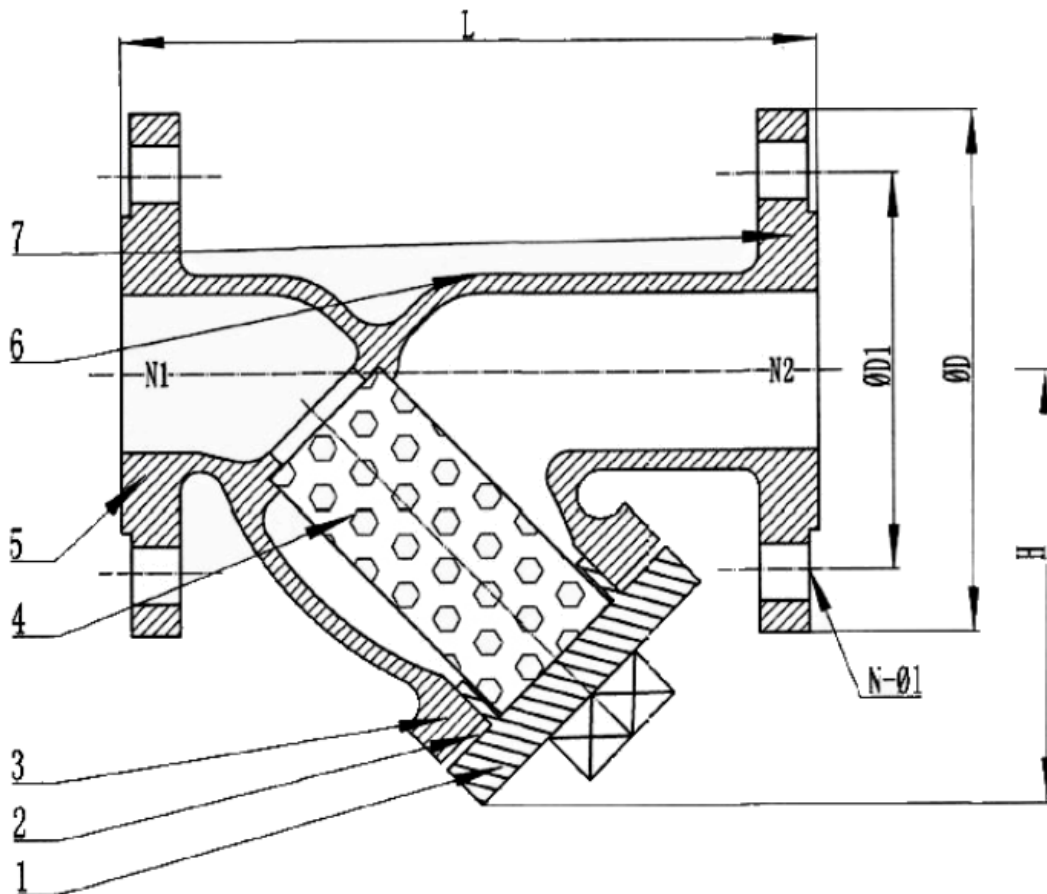


Figure 1 ANSI 150# Cast Steel Y-Strainers

ANSI 150# flange end y-strainer is a flange type filtration device that is used to collect solids from fluids. It is to protect the pipeline equipment from any harmful contamination. It is designed and manufactured according to ANSI B16.34.

150# flange End Y-Strainer's name is derived from its y-shaped form with both end connections and flange ends. Y Strainers have low resistance to fluid passage or straight passage which in turn results in low pressure loss. This is why y-strainers are being utilized for applications where only small amounts of solid particulates are expected to be drained and frequent clean out would not be necessary.

ANSI 150# Cast Steel Y-strainer Drawing:



Material:

No	Part Name	Material
1	Body	WCB
2	Filter Screen	SS304
3	Gasket	PTFE
4	Cover	WCB
5	Bolt	ASTM A193 B7
6	Nut	ASTM A194 2H

Main Technical Parameter:

Normal Pressure	150#
Shell Test Pressure	3.0 MPa
Tightness Test	-
Gas-Tightness Test	-
Max Working Pressure	-29°C to 150°C

Technical Specifications:

1. Basic design and manufacture according to ASME B16.34.
2. Flange connection per ASME B16.5.
3. Inspection and tested according to API 598.

Chuan Kok Hardware & Machinery Pte Ltd

Address : 1783 Geylang Bahru, #01-02, Singapore 339708
Telephone Number : +65 6294 2566
Email Address : info@chuankok.com
Website : www.chuankok.com
Business Registration Number : 198201577Z
Country of Registration : Singapore

Conditions of Use of Catalogue:

The information in the catalogue are not binding and in order to improve distribution, Chuan Kok Hardware & Machinery Pte Ltd reserves the right to make any change including size and pressure ratings considered necessary at any time and without prior notice. According to the copyright and the civil law, any reproduction (also partial) of figures and texts of this catalogue by means of electronic, mechanical, photocopies, microfilms, recordings or other is forbidden without Chuan Kok Hardware & Machinery Pte Ltd's authorization.
Catalogue Version: 2021

