



THREADED END SS316 Y-STRAINERS

Literature





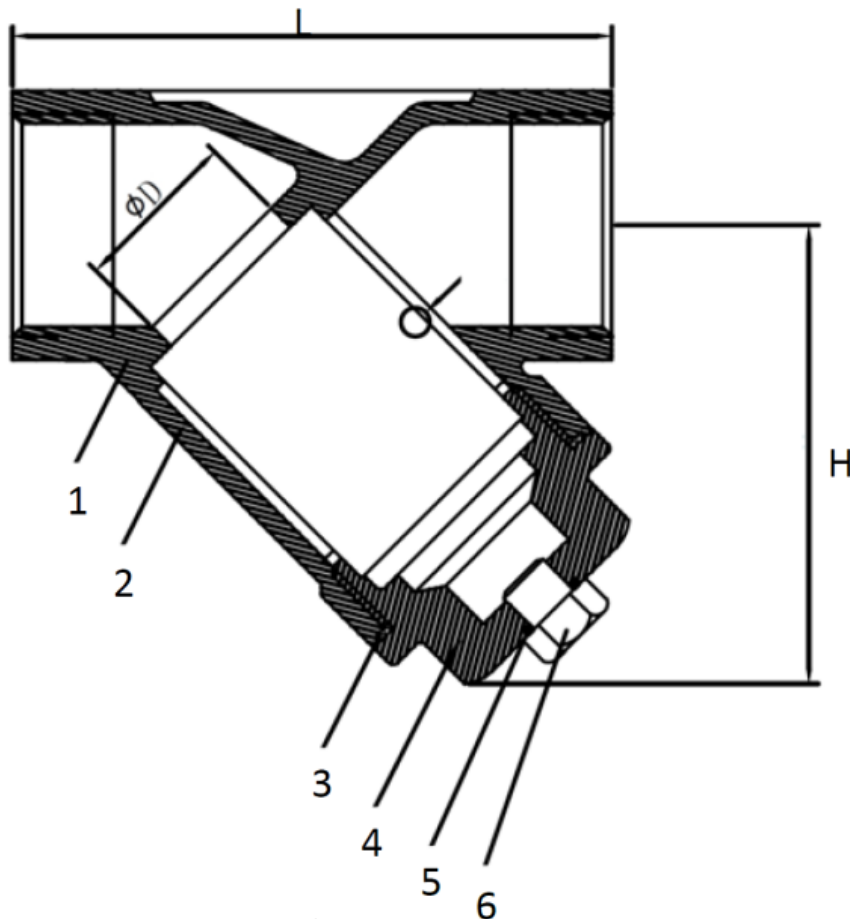
Figure 1 Threaded End
SS316 Y-Strainers

Introduction:

Y-Strainers are a type of filtration device used for separating solid from liquids and catching dirt and debris. The main purpose is to prevent particles from continuing to the system and will have expensive pipeline equipment such as pumps, engines, valves and others protected from harmful flow contamination.

Y-Strainer's name is derived from its y-shaped form. It has low resistance to fluid passage or straight passage which in turn results in low pressure loss. This is why y-strainers are being utilized for applications where only small amounts of solid particulates are expected to be drained and frequent clean out would not be necessary.

Threaded End SS316 Y-Strainer Drawing:



Material:

NO	PART NAME	MATERIAL
1	Body	SS316, CF8M
2	Filter	SS316
3	Gasket	PTFE
4	Cap	SS316, CF8M
5	Gasket	PTFE
6	Plug	SS316

Chuan Kok Hardware & Machinery Pte Ltd

Address : 1783 Geylang Bahru, #01-02, Singapore 339708
Telephone Number : +65 6294 2566
Email Address : info@chuankok.com
Website : www.chuankok.com
Business Registration Number : 198201577Z
Country of Registration : Singapore

Conditions of Use of Catalogue:

The information in the catalogue are not binding and in order to improve distribution, Chuan Kok Hardware & Machinery Pte Ltd reserves the right to make any change including size and pressure ratings considered necessary at any time and without prior notice. According to the copyright and the civil law, any reproduction (also partial) of figures and texts of this catalogue by means of electronic, mechanical, photocopies, microfilms, recordings or other is forbidden without Chuan Kok Hardware & Machinery Pte Ltd's authorization.
Catalogue Version: 2021

