



JIS10K SS316 Y-STRAINERS

Literature



Introduction:

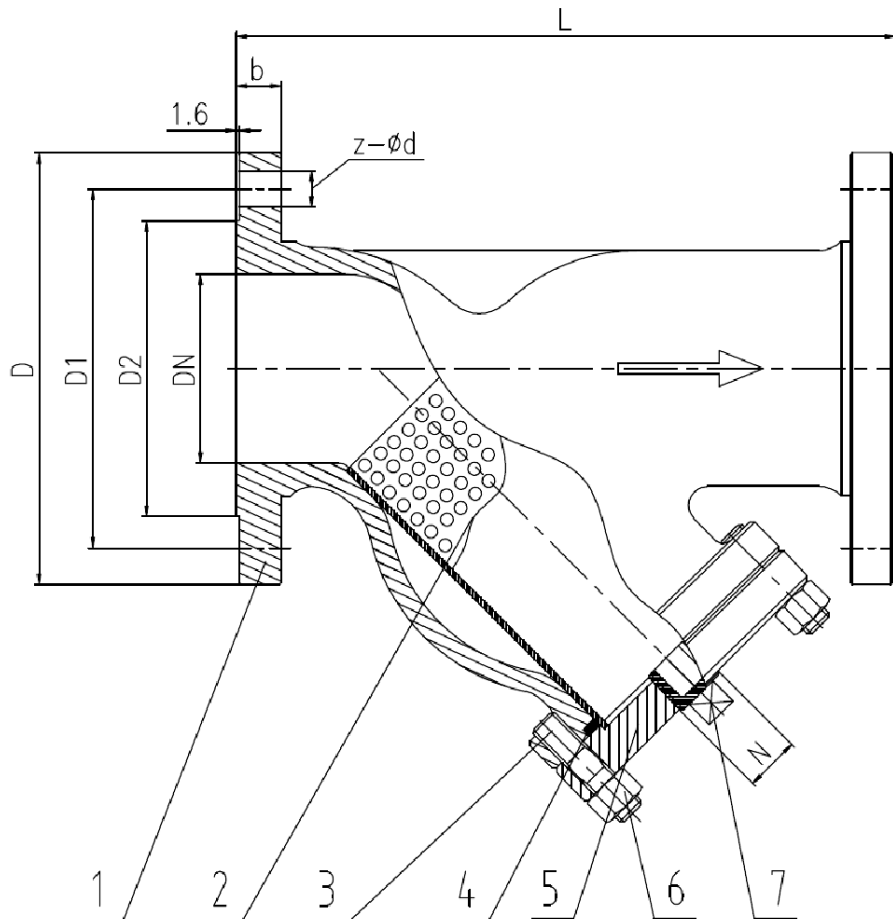


Figure 1 JIS 10K SS316 Y-Strainers

JIS10K flange end y-strainer is a flange type filtration valve that is used to collect contamination in pipeline systems. It is to make sure fluids clean and protect hydraulic equipment from harmful solids. It is design and manufacture according to ANSI B16.34

Y-Strainer's name is derived from its y-shaped form with both end connections and flange ends. Y Strainers have low resistance to fluid passage or straight passage which in turn results in low pressure loss. This is why y-strainers are being utilized for applications where only small amounts of solid particulates are expected to be drained and frequent clean out would not be necessary.

JIS 10K Flange End Y-Strainer Drawing:



Material:

NO	PART NAME	MATERIAL
1	Body	SS316, CF8M
2	Strainer Screen	SS316 1mm Mesh
3	Bolt	SS304
4	Gasket	PTFE
5	Bonnet	SS316, CF8M
6	Nut	SS304
7	Bolt	SS304

Main Technical Parameter:

Nominal Pressure	JIS 10K
Shell Test Pressure	-
Tightness Test	3.0 MPa
Gas-Tightness Test	-
Max working temperature	-20°C to 230°C

Technical Specifications

1. Basic design and manufacture according to ANSI B16.34.
2. Flange connection per JIS B 2220.
3. Inspection and tested according to API 598.

Chuan Kok Hardware & Machinery Pte Ltd

Address : 1783 Geylang Bahru, #01-02, Singapore 339708
Telephone Number : +65 6294 2566
Email Address : info@chuankok.com
Website : www.chuankok.com
Business Registration Number : 198201577Z
Country of Registration : Singapore

Conditions of Use of Catalogue:

The information in the catalogue are not binding and in order to improve distribution, Chuan Kok Hardware & Machinery Pte Ltd reserves the right to make any change including size and pressure ratings considered necessary at any time and without prior notice. According to the copyright and the civil law, any reproduction (also partial) of figures and texts of this catalogue by means of electronic, mechanical, photocopies, microfilms, recordings or other is forbidden without Chuan Kok Hardware & Machinery Pte Ltd's authorization.
Catalogue Version: 2021

