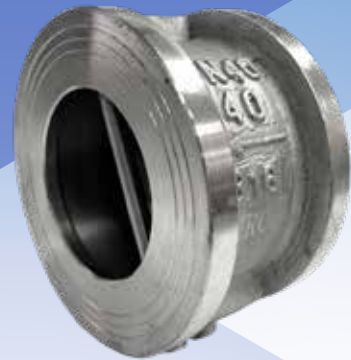


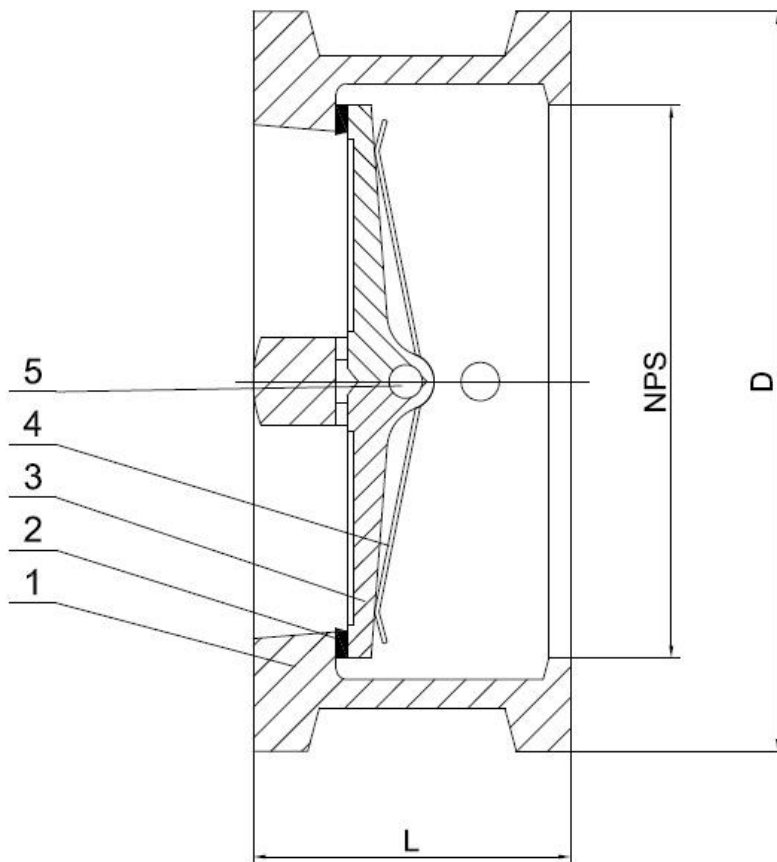
# DUAL PLATE CHECK VALVES



**SS316 Wafer Type Dual Disk Check Valve**

**Features**

- Wafer Type
- Wafer Connection
- Size: 1 1/2" - 6" (DN40 - DN150)
- Working Pressure: 150#, 300#, JIS 5K, JIS 10K, PN10, PN16, PN40
- Material: SS316, CF8M
- Applicable Medium: General oil, gas & water applications
- Temperature Range: ≤ 150°C



**Technical Specifications**

1. Basic design and manufacture according to API 594
2. Face to face dimensions according to ANSI B16.10
3. Inspection and tested according to API 598

Performance Specification Sheet			
Nominal pressure		PN40	
Test pressure	Strength test	6.0	MPa
	Seal test	4.4	
	Air seal test	0.6	
Applicable Medium: General oil, gas & water			

**Ordering Information**

VL - S - DD - W - 300 - 24  
 I II III IV V VI

**I Type of Item**

VL Low Pressure Valves

**II Material Grade**

S	SS316, CF8M	CI	Cast Iron
FS	Forged Steel	CS	Cast Steel
B	Brass		

**III Item**

GA	Gate Valve	B1	1 PC Ball Valve
GL	Globe Valve	B2	2 PC Ball Valve
YS	Y-Strainer	B3	3 PC Ball Valve
SC	Swing Check Valve	BL	3 Way Ball Valve L Port
VC	Vertical Check Valve	BT	3 Way Ball Valve T Port
WC	Wafer Check Valve	BMF	Male x Female Mini Ball Valve
DD	Dual Disk	BU	Butterfly Valve

**IV Connection Type**

SW	S/W	G	BSPP
BW	B/W	N	NPT
R	BSPT	F	Flange End
W	Wafer	L	Lug

**V Pressure**

200	200 PSI	2000	2000 PSI
300	300 PSI	150	ANSI 150# Flange Standard
600	600 PSI	10K	JIS 10K Flange Standard
800	800 PSI	PN16	PN 16 Flange Standard
1000	1000 PSI		

**For Inch OD & Inch NB Sizes**
**VI Size**

Size	1/8"	1/4"	5/16"	3/8"	1/2"	5/8"	3/4"	1"
Code	02	04	05	06	08	10	12	16
Size	1 1/4"	1 1/2"	2"	2 1/2"	3"	4"	5"	6"
Code	20	24	32	40	48	64	80	96

**VII Coating**

(None) No Additional Coating  
 NI Nickel Plating

**Material List**

No.	Part Name	Material
1	Body	CF8M/SS316
2	Seat ring	SS316
3	Wedge	CF8M/SS316
4	Spring	SS316
5	Pin	SS316

**Dimension List**

NPS	Connection	Part No	DN	L	D
1 1/2"	Wafer	VL-S-DD-W-600-24	40	44	100
2"	Wafer	VL-S-DD-W-600-32	50	60	103.7
2 1/2"	Wafer	VL-S-DD-W-600-40	65	67	122.7
3"	Wafer	VL-S-DD-W-600-48	80	73	135.4
4"	Wafer	VL-S-DD-W-600-64	100	73	173.5
5"	Wafer	VL-S-DD-W-600-80	125	87	192
6"	Wafer	VL-S-DD-W-600-96	150	99	220

**Part Number Reference**

Part No	Description
VL-S-DD-W-600-24	1 1/2" SS316 WAFER DUAL DISK CHECK VALVE PN40
VL-S-DD-W-600-32	2" SS316 WAFER DUAL DISK CHECK VALVE PN40
VL-S-DD-W-600-40	2 1/2" SS316 WAFER DUAL DISK CHECK VALVE PN40
VL-S-DD-W-600-48	3" SS316 WAFER DUAL DISK CHECK VALVE PN40
VL-S-DD-W-600-64	4" SS316 WAFER DUAL DISK CHECK VALVE PN40
VL-S-DD-W-600-80	5" SS316 WAFER DUAL DISK CHECK VALVE PN40
VL-S-DD-W-600-96	6" SS316 WAFER DUAL DISK CHECK VALVE PN40

## Chuan Kok Hardware & Machinery Pte Ltd

Address : 1783 Geylang Bahru, #01-02, Singapore 339708  
Telephone Number : +65 6294 2566  
Email Address : [info@chuankok.com](mailto:info@chuankok.com)  
Website : [www.chuankok.com](http://www.chuankok.com)  
Business Registration Number : 198201577Z  
Country of Registration : Singapore

### Conditions of Use of Catalogue:

The information in the catalogue are not binding and in order to improve distribution, Chuan Kok Hardware & Machinery Pte Ltd reserves the right to make any change including size and pressure ratings considered necessary at any time and without prior notice. According to the copyright and the civil law, any reproduction (also partial) of figures and texts of this catalogue by means of electronic, mechanical, photocopies, microfilms, recordings or other is forbidden without Chuan Kok Hardware & Machinery Pte Ltd's authorization.  
Catalogue Version: 2021

