



SINGLE PLATE CHECK VALVES

Literature



Introduction:



Figure 1 Single Plate Check Valves

Wafer type swing check valve is designed to allow fluid flow in one direction only and prevent backflow. It is designed and manufactured according to ASME B16.34 standard. Inspection and testing had been conducted according to API 598. It can be installed between two flanges, which have to be compatible with the flow direction. Fluid will flow into the inlet port, pushing the disc upwards and flow through the outlet port. Whenever there is any backflow, it will push the disc back

to close the passage. Wafer swing check valve is widely installed in applications such as steam, hot & cold water, and pressurized air.

Material and Design:

Wafer type swing check valve is available in stainless steel SS316 material. This check valve is designed with short body length for easy installation between two flanges. The o-ring element on the valve body is used as a sealing gasket, thus, no gasket is required for the installation. The o-ring material is in viton material which can withstand higher temperature compared to NBR material.

Size and Pressure Rating:

The available size for the wafer type swing check valve is ranged from 1 1/2" to 6". It can withstand up to 16 bar, which is 232 PSI working pressure.

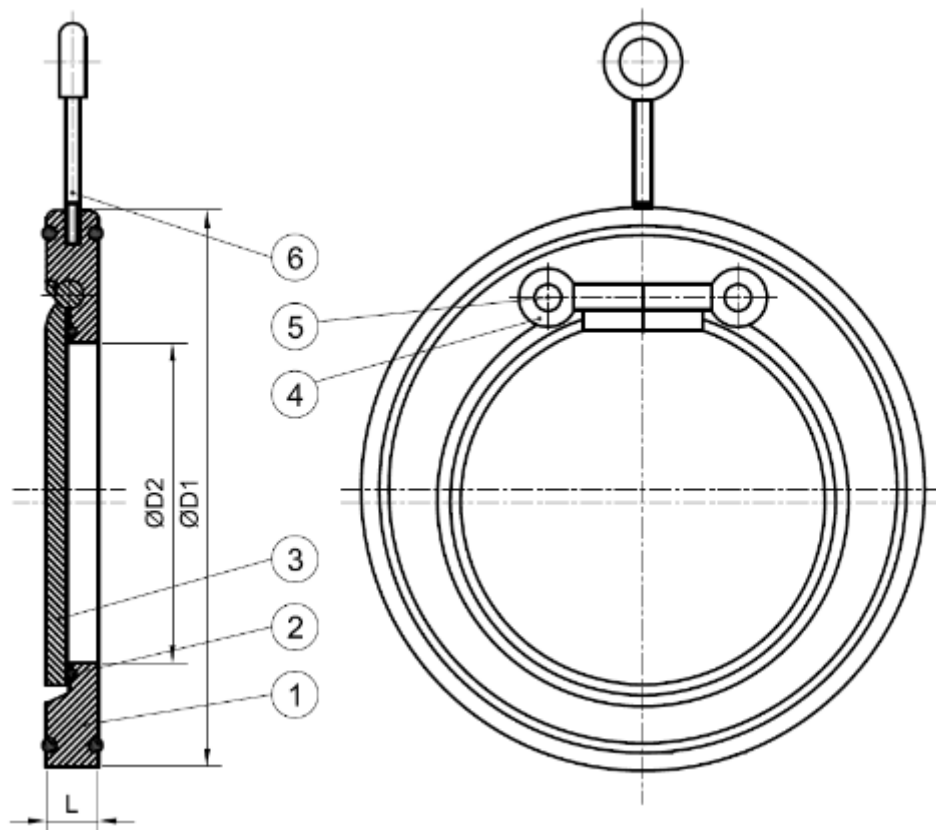


Figure 2 Single Plate Check Valves

Connection Type:

Wafer type swing check valve is installed between two flanges, tightened with bolts and nuts. Depending on the flange size, 4 sets or 8 sets of bolts and nuts are required for the installation. This check valve is suitable to install in a pipeline system that lacks space or in a compact environment.

Wafer Type Swing Check Valve Drawing:



Material:

NO	PART NAME	MATERIAL
1	Body	CF8M/SS316
2	O-Ring	VITON
3	Disc	SS316
4	Washer	SS316
5	Bolt	SS316
6	Eye Bolt	SS316

Chuan Kok Hardware & Machinery Pte Ltd

Address : 1783 Geylang Bahru, #01-02, Singapore 339708
Telephone Number : +65 6294 2566
Email Address : info@chuankok.com
Website : www.chuankok.com
Business Registration Number : 198201577Z
Country of Registration : Singapore

Conditions of Use of Catalogue:

The information in the catalogue are not binding and in order to improve distribution, Chuan Kok Hardware & Machinery Pte Ltd reserves the right to make any change including size and pressure ratings considered necessary at any time and without prior notice. According to the copyright and the civil law, any reproduction (also partial) of figures and texts of this catalogue by means of electronic, mechanical, photocopies, microfilms, recordings or other is forbidden without Chuan Kok Hardware & Machinery Pte Ltd's authorization.
Catalogue Version: 2021

