



THREADED END SS316 SWING CHECK VALVES

Literature



Introduction:



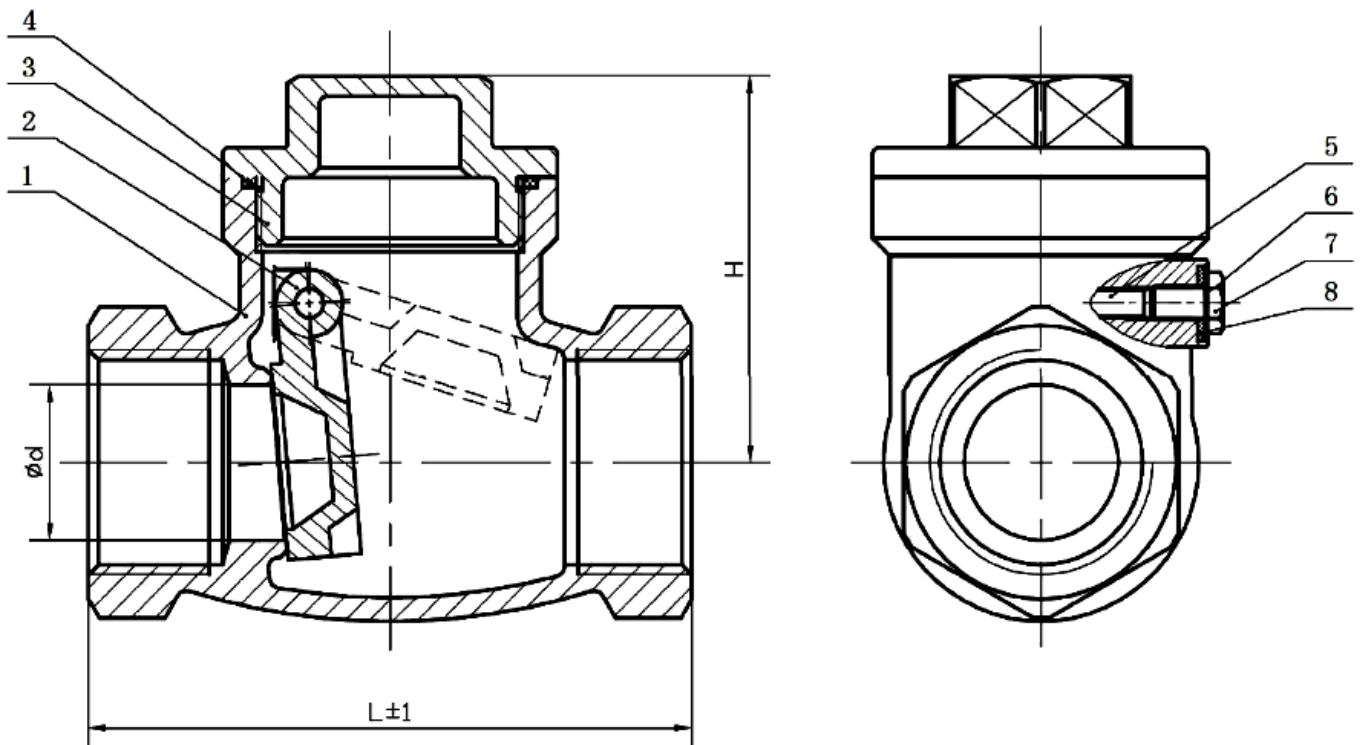
Figure 1 Threaded End SS316 Swing Check Valves

Swing check valve is a valve that allows fluid (liquid or gas) to flow through it in one direction only. A swing check valve, also known as non-return valve or one-way valve. It is designed and manufactured according to ANSI B16.34. A directional marking is marked on the valve body to show the direction of fluid flow to.

Swing check valves are two-port valves, meaning they have two openings on the body, one for fluid to enter and the other one for fluid to leave. When the fluid flows from the inlet port, it will push the disc to swing up and flow through the valve passage. Whenever there are any backflow, it will push the disc back, close the passage and block the back flow.

There are various types of check valves used in a wide variety of applications. Check valves work automatically and do not require any valve handle or stem. Swing check valve is available in brass or stainless steel SS316 material.

Threaded End SS316 Swing Check Valve Drawing:



Material:

No	Part Name	SS316 Material
1	Body	SS316 & CF8M
2	Disc	SS316 & CF8M
3	Cap	SS316 & CF8M
4	Body Gasket	PTFE
5	Pin	SS304
6	Plain Washer	SS304
7	Bolt	SS304
8	Gasket	PTFE

Main Technical Parameter:

Normal Pressure	200 PSI
Shell Test Pressure	2.1 MPa
Tightness Test	1.6 MPa
Gas-Tightness Test	0.6 MPa
Max Working Temperature	-29°C to 180°C

Technical Specifications:

1. Basic design and manufacture according to ANSI B16.34
2. Rc, Rp & G threaded ends complies with BS 21/2779, DIN 259/2999, ISO 228-1 AS1722.1/1722.2 are upon request.
3. Inspection and tested according to API598

Chuan Kok Hardware & Machinery Pte Ltd

Address : 1783 Geylang Bahru, #01-02, Singapore 339708
Telephone Number : +65 6294 2566
Email Address : info@chuankok.com
Website : www.chuankok.com
Business Registration Number : 198201577Z
Country of Registration : Singapore

Conditions of Use of Catalogue:

The information in the catalogue are not binding and in order to improve distribution, Chuan Kok Hardware & Machinery Pte Ltd reserves the right to make any change including size and pressure ratings considered necessary at any time and without prior notice.

According to the copyright and the civil law, any reproduction (also partial) of figures and texts of this catalogue by means of electronic, mechanical, photocopies, microfilms, recordings or other is forbidden without Chuan Kok Hardware & Machinery Pte Ltd's authorization.

Catalogue Version: 2021

