



JIS 10K SS316 SWING CHECK VALVES

Literature



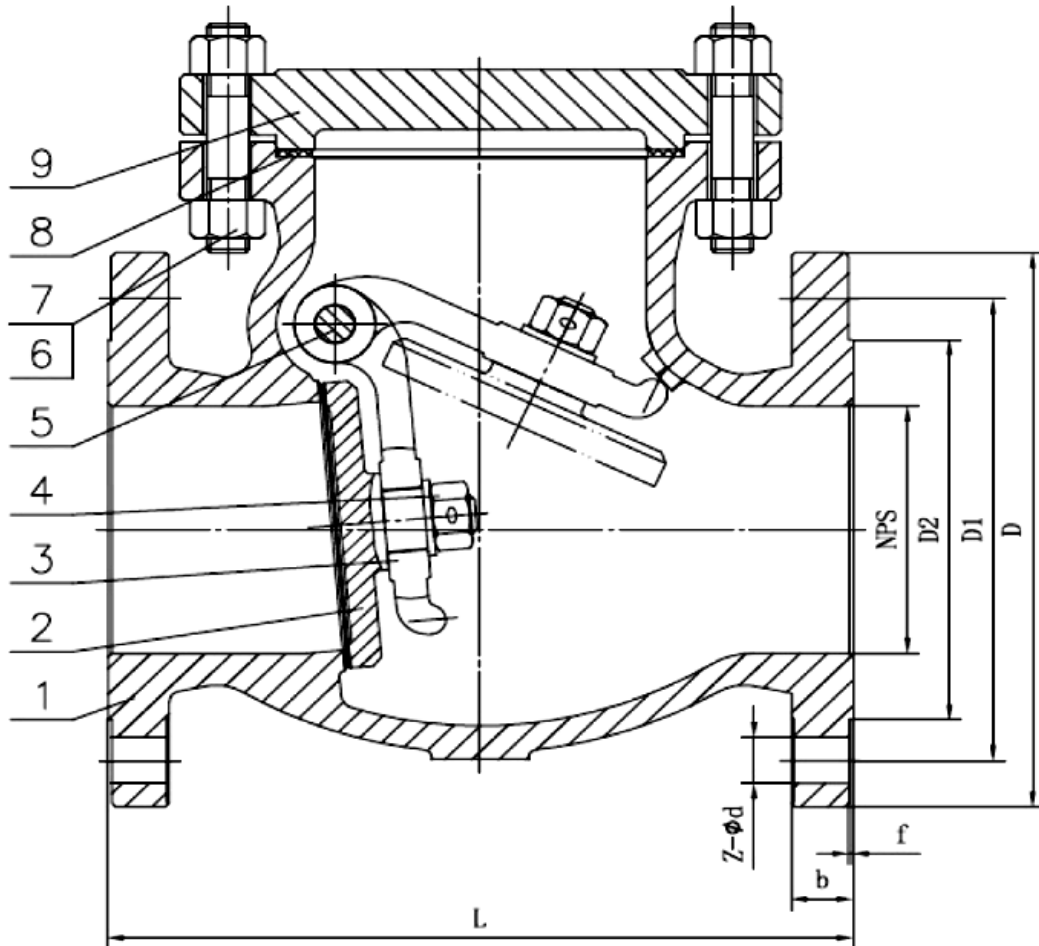


Figure 1 JIS 10K SS316
Swing Check Valves

Introduction:

Swing check valves are special check valves that help prevent backflow in a line. They are designed after the ANSI B16.34 standards. The swing check valve is a low pressure valve designed with features to give an easy opening at low velocities, unlike other check valve types. Swing check valves are also known as one-way or non-return valves and they can be applied in horizontal or vertical pipelines. JIS 10K SS316 Swing Check Valves have the size range from 1/2" to 4". They are made of Stainless Steel SS316 / SCS14A with the working pressure of 10kg/cm².

JIS 10K SS316 Swing Check Valve Drawing:



Material:

No	Part Name	Material
1	Body	SCS14A & SS316
2	Disc	SCS14A & SS316
3	Arm	SCS14A & SS316
4	Nut	SS316
5	Hinge Pin	SS316
6	Bolt	SS316
7	Nut	SS316
8	Gasket	PTFE
9	Bonnet	SCS14A & SS316

Main Technical Parameter:

Nominal Pressure	10K
Shell Pressure Test	3.0 MPa
Seal Pressure Test	2.2 MPa
Air Seal Pressure Test	0.6 MPa
Max Working Temperature	0.4 MPa - 0.7 MPa

Technical Specifications:

1. Basic design and manufacture according to JIS B2084
2. Structure length according to JIS B2002
3. Flange ends complied with JIS B2220
4. Inspection and tested according to JIS B2003

Chuan Kok Hardware & Machinery Pte Ltd

Address : 1783 Geylang Bahru, #01-02, Singapore 339708
Telephone Number : +65 6294 2566
Email Address : info@chuankok.com
Website : www.chuankok.com
Business Registration Number : 198201577Z
Country of Registration : Singapore

Conditions of Use of Catalogue:

The information in the catalogue are not binding and in order to improve distribution, Chuan Kok Hardware & Machinery Pte Ltd reserves the right to make any change including size and pressure ratings considered necessary at any time and without prior notice. According to the copyright and the civil law, any reproduction (also partial) of figures and texts of this catalogue by means of electronic, mechanical, photocopies, microfilms, recordings or other is forbidden without Chuan Kok Hardware & Machinery Pte Ltd's authorization.
Catalogue Version: 2021

