

SWING CHECK VALVES

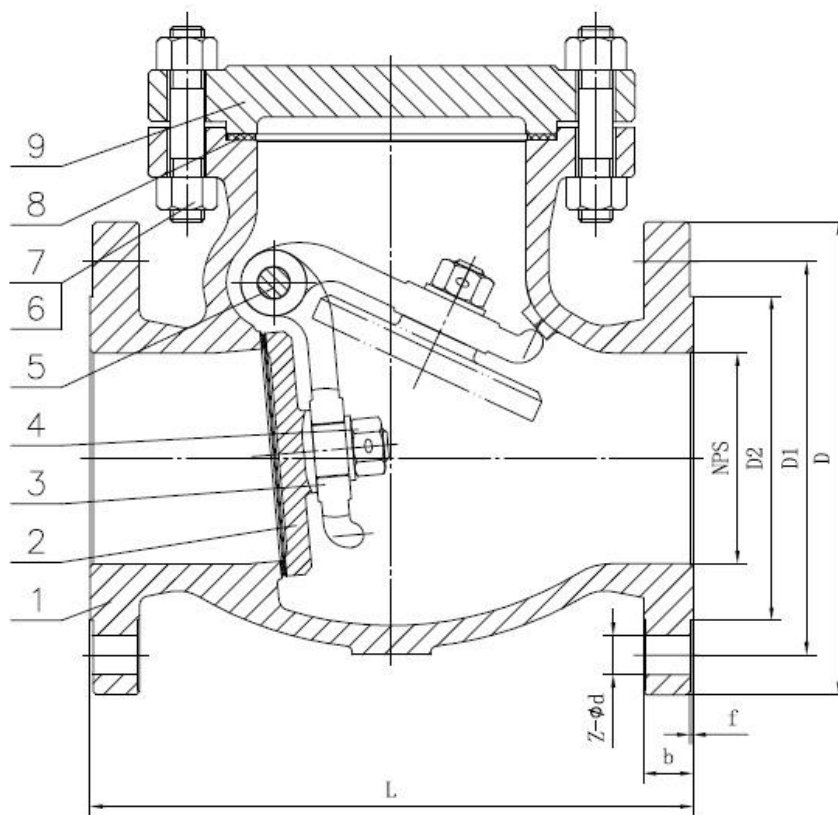
ANSI 150# SS316 Swing Check Valves



ANSI 150# SS316 Flange End Swing Check Valves

Features

- Swing Type
- ANSI 150# Flange Connection
- Size: 1/2" - 4" (DN15 - DN100)
- Working Pressure: 150#
- Material: SS316, CF8M
- Applicable Medium: General oil, gas & water applications
- Temperature Range: -29°C to 150°C



Technical Specifications

1. Basic design and manufacture according to BS1868 & ASME B16.34
2. Structure length according to ASME B16.10
3. Flange ends complied with ASME B16.5
4. Inspection and tested according to API 598

Performance Specification Sheet			
Nominal pressure		150 #	
Test pressure	Shell test	3.0	MPa
	Seal test	2.2	
	Air seal test	0.4 - 0.7	
Applicable Medium: General oil, gas & water			

Ordering Information

VL - S - SC - F - 150 - 24
 I II III IV V VI

I Type of Item

VL Low Pressure Valves

II Material Grade

S	SS316, CF8M	CI	Cast Iron
FS	Forged Steel	CS	Cast Steel
B	Brass		

III Item

GA	Gate Valve	B1	1 PC Ball Valve
GL	Globe Valve	B2	2 PC Ball Valve
YS	Y-Strainer	B3	3 PC Ball Valve
SC	Swing Check Valve	BL	3 Way Ball Valve L Port
VC	Vertical Check Valve	BT	3 Way Ball Valve T Port
WC	Wafer Check Valve	BMF	Male x Female Mini Ball Valve
DD	Dual Disk	BU	Butterfly Valve

IV Connection Type

SW	S/W	G	BSPP
BW	B/W	N	NPT
R	BSPT	F	Flange End
W	Wafer	L	Lug

V Pressure

200	200 PSI	2000	2000 PSI
300	300 PSI	150	ANSI 150# Flange Standard
600	600 PSI	10K	JIS 10K Flange Standard
800	800 PSI	PN16	PN 16 Flange Standard
1000	1000 PSI		

For Inch OD & Inch NB Sizes
VI Size

Size	1/8"	1/4"	5/16"	3/8"	1/2"	5/8"	3/4"	1"
Code	02	04	05	06	08	10	12	16
Size	1 1/4"	1 1/2"	2"	2 1/2"	3"	4"	5"	6"
Code	20	24	32	40	48	64	80	96

VII Coating

(None) No Additional Coating
 NI Nickel Plating

Material List

No.	Part Name	Material
1	Body	CF8M/SS316
2	Disc	CF8M/SS316
3	Arm	CF8M/SS316
4	Nut	SS316
5	Hinge Pin	SS316
6	Bolt	SS316
7	Nut	SS316
8	Gasket	PTFE
9	Bonnet	CF8M/SS316

Dimension List

Size	Connection	Impa Code	Part No	NPS	D	D1	D2	L	Z-Ød	b	f	Weight (Kg)
1/2"	Flange-end	-	VL-S-SC-F-150-08	15	89	60.5	35	152	4-Ø19	11.1	2	-
3/4"	Flange-end	-	VL-S-SC-F-150-12	20	98.5	70	43	178	4-Ø19	11.1	2	-
1"	Flange-end	-	VL-S-SC-F-150-16	25	108	79.2	51	127	4-Ø19	11.1	2	-
1 1/2"	Flange-end	-	VL-S-SC-F-150-24	38	127	98.6	73	165	4-Ø19	14.3	2	7.00
2"	Flange-end	-	VL-S-SC-F-150-32	50	152	120.7	92	203	4-Ø19	15.9	2	11.00
2 1/2"	Flange-end	-	VL-S-SC-F-150-40	65	178	139.7	105	216	4-Ø19	17.5	2	12.30
3"	Flange-end	-	VL-S-SC-F-150-48	80	190	152.4	127	241	4-Ø19	19.5	2	26.04
4"	Flange-end	-	VL-S-SC-F-150-64	100	230	190.5	157.2	292	8-Ø19	24.3	2	36.00

Part Number Reference

Impa Code	Part No	Description
-	VL-S-SC-F-150-08	1/2" 150# SS316 FLANGE END SWING CHECK VALVE
-	VL-S-SC-F-150-12	3/4" 150# SS316 FLANGE END SWING CHECK VALVE
-	VL-S-SC-F-150-16	1" 150# SS316 FLANGE END SWING CHECK VALVE
-	VL-S-SC-F-150-24	1 1/2" 150# SS316 FLANGE END SWING CHECK VALVE
-	VL-S-SC-F-150-32	2" 150# SS316 FLANGE END SWING CHECK VALVE
-	VL-S-SC-F-150-40	2 1/2" 150# SS316 FLANGE END SWING CHECK VALVE
-	VL-S-SC-F-150-48	3" 150# SS316 FLANGE END SWING CHECK VALVE
-	VL-S-SC-F-150-64	4" 150# SS316 FLANGE END SWING CHECK VALVE

Chuan Kok Hardware & Machinery Pte Ltd

Address : 1783 Geylang Bahru, #01-02, Singapore 339708
Telephone Number : +65 6294 2566
Email Address : info@chuankok.com
Website : www.chuankok.com
Business Registration Number : 198201577Z
Country of Registration : Singapore

Conditions of Use of Catalogue:

The information in the catalogue are not binding and in order to improve distribution, Chuan Kok Hardware & Machinery Pte Ltd reserves the right to make any change including size and pressure ratings considered necessary at any time and without prior notice. According to the copyright and the civil law, any reproduction (also partial) of figures and texts of this catalogue by means of electronic, mechanical, photocopies, microfilms, recordings or other is forbidden without Chuan Kok Hardware & Machinery Pte Ltd's authorization.
Catalogue Version: 2021

