

# ANSI 300# CAST STEEL FLANGE END BALL VALVES

## Literature



**Introduction:**

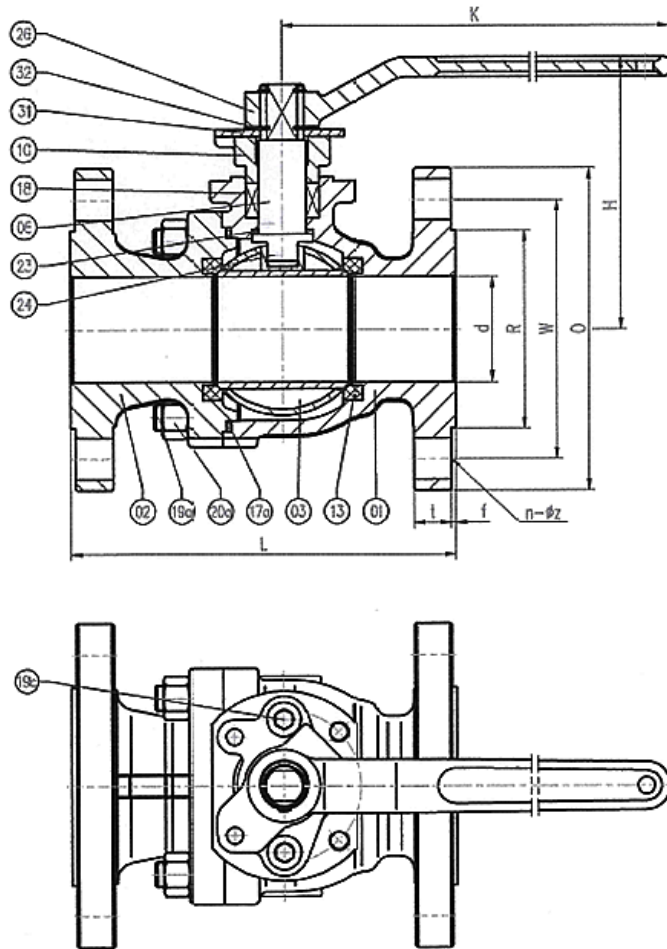


Flange end ball valve is a flange type ball valve used to permit or stop the flow in a pipeline system. It is designed and manufactured according to API 608. Inspection and testing of valves is according to API 598 standard.

It is a full bore type ball valve with quarter turn operation. By turning the handle 90 degrees, the ball position can be in an open position or close position. The both end connection is flange with ANSI 150# or ANSI 300# standard. Accessories such as bolts, nuts and gaskets are required to connect between two flanges.

**Figure 1 ANSI 300# Cast Steel Flange End Ball Valves**

**ANSI 300# Cast Steel Flange End Ball Valve Drawing:**



**Material:**

<b>NO</b>	<b>PART NAME</b>	<b>MATERIAL</b>
1	Body	ASTM A216 WCB
2	Body Connector	ASTM A216 WCB
3	Ball	ASTM A240 304
6	Stem	ASTM A182 F304
10	Packing Gland	ASTM A216 WCB
13	Seat	PTFE
17a	Gasket	SS304 + GRAPHITE
18	Packing	FLEXIBLE GRAPHITE
19a	Bolts	ASTM A193 B7
19c	Screw	ASTM A193 B7
20a	Nuts	ASTM A194 2H
23	Thrust Washer	PTFE
24	Anti-static Device	SS304
26	Level	ASTM A216 WCB + Zn
31	Stopper	ASTM A29 1025 + Zn
32	Ring	ASTM A29 1566

---

**Main Technical Parameter for ANSI 300#:**

<b>Nominal Pressure</b>	CLASS 300
<b>Body Test Pressure</b>	7.8 MPa
<b>Seat Test Pressure</b>	5.6 MPa
<b>Hermetical Sealing Test</b>	0.6 MPa
<b>Max working temperature</b>	≤100°C

**Technical Specifications:**

1. Basic design and manufacture according to API 608
2. Valve body wall thickness according to ASME B16.34
3. Face-to-face dimensions complies with ASME B16.10
3. Flange ends complied with ASME B16.5
4. Inspection and tested according to API 598

## Chuan Kok Hardware & Machinery Pte Ltd

Address : 1783 Geylang Bahru, #01-02, Singapore 339708  
Telephone Number : +65 6294 2566  
Email Address : [info@chuankok.com](mailto:info@chuankok.com)  
Website : [www.chuankok.com](http://www.chuankok.com)  
Business Registration Number : 198201577Z  
Country of Registration : Singapore

### Conditions of Use of Catalogue:

The information in the catalogue are not binding and in order to improve distribution, Chuan Kok Hardware & Machinery Pte Ltd reserves the right to make any change including size and pressure ratings considered necessary at any time and without prior notice. According to the copyright and the civil law, any reproduction (also partial) of figures and texts of this catalogue by means of electronic, mechanical, photocopies, microfilms, recordings or other is forbidden without Chuan Kok Hardware & Machinery Pte Ltd's authorization.  
Catalogue Version: 2021

