

# FLANGE END BALL VALVES

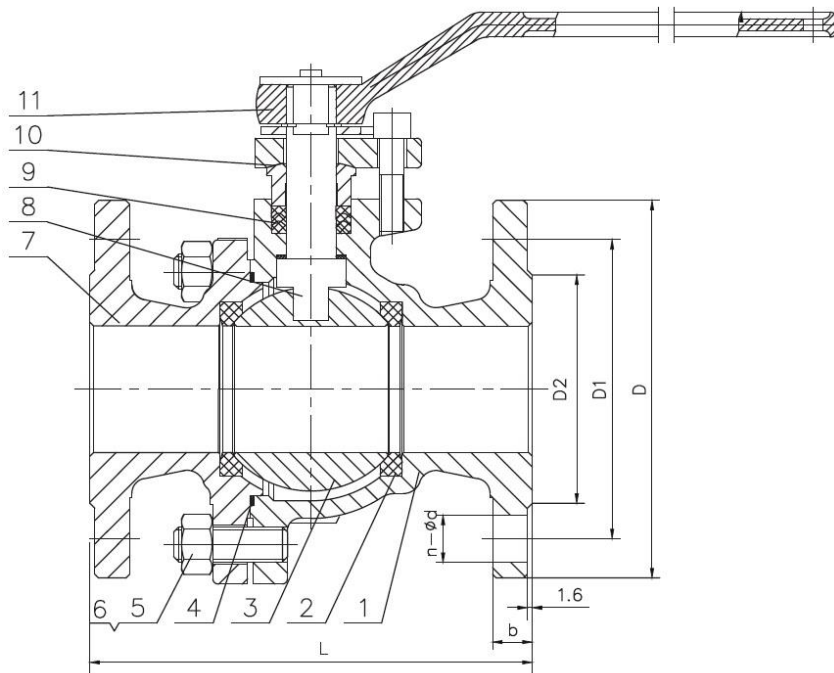
## ANSI 150# Cast Steel Flange End Ball Valves



### ANSI 150# Cast Steel 2 Piece Flange Ball Valves WCB

#### Features

- Full Bore
- Solid Ball with Phosphatized Body
- ANSI 150# Flange Connection
- Sizes: 3/4" – 6" (DN20 – DN150)
- Working Pressure: 150#
- Valve Body Material: A216 WCB
- Applicable Medium: General Oil, Gas & Water Applications
- Non-fire Safe Design
- Temperature: -29 Deg C to 150 Deg C



#### Technical Specifications

1. Basic design and manufacture according to API 608
2. Face-to-face dimensions complies with ASME B16.10
3. Flange ends complied with ASME B16.5
4. Inspection and tested according to API 598

Main Technical Parameter			
Normal pressure		150#	
Test pressure	Shell pressure test	3.0	MPa
	Sealing pressure test	2.2	
	Air pressure test	0.6	
Max working temperature		-29 to 150°C	
Applicable medium: General oil, gas & water			

#### Material List

No.	Part Name	Material	No.	Part Name	Material
1	Right Body	A216 WCB	8	Stem	A182 F304
2	Seat	PTFE	9	Packing	Graphite
3	Ball	A182 F304	10	Gland	A216 WCB
4	Gasket	SS304 + Graphite	11	Handle	CS + Zn
5	Nuts	A194 2H			
6	Bolts	A193 B7			
7	Left Body	A216 WCB			

**Ordering Information**

VL - CS - B2 - F - 150 - 08  
 I II III IV V VI

**I Type of Item**

VL Low Pressure Valves

**II Material Grade**

S	SS316, CF8M	CI	Cast Iron
FS	Forged Steel	CS	Cast Steel
B	Brass		

**III Item**

GA	Gate Valve	B1	1 PC Ball Valve
GL	Globe Valve	B2	2 PC Ball Valve
YS	Y-Strainer	B3	3 PC Ball Valve
SC	Swing Check Valve	BL	3 Way Ball Valve L Port
VC	Vertical Check Valve	BT	3 Way Ball Valve T Port
WC	Wafer Check Valve	BMF	Male x Female Mini Ball Valve
DD	Dual Disk	BU	Butterfly Valve

**IV Connection Type**

SW	S/W	G	BSPP
BW	B/W	N	NPT
R	BSPT	F	Flange End
W	Wafer	L	Lug

**V Pressure**

200	200 PSI	2000	2000 PSI
300	300 PSI	150	ANSI 150# Flange Standard
600	600 PSI	10K	JIS 10K Flange Standard
800	800 PSI	PN16	PN 16 Flange Standard
1000	1000 PSI		

**For Inch OD & Inch NB Sizes**
**VI Size**

Size	1/8"	1/4"	5/16"	3/8"	1/2"	5/8"	3/4"	1"
Code	02	04	05	06	08	10	12	16
Size	1 1/4"	1 1/2"	2"	2 1/2"	3"	4"	5"	6"
Code	20	24	32	40	48	64	80	96

**VII Coating**

(None) No Additional Coating  
 NI Nickel Plating

**Dimension List**

NPS	Connection	Impa Code	Part No	D	D1	D2	b	L	n-Ød	Weight (Kg)
3/4"	Flange End	-	VL-CS-B2-F-150-12	98	70	43	11.5	114	4-Ø16	2.7
1"	Flange End	-	VL-CS-B2-F-150-16	108	79.5	51	13	125	4-Ø16	3.5
1 1/4"	Flange End	-	VL-CS-B2-F-150-20	117	89	64	13	137	4-Ø16	4.8
1 1/2"	Flange End	-	VL-CS-B2-F-150-24	128	100	74.1	16.2	163	4-Ø16	5.9
2"	Flange End	-	VL-CS-B2-F-150-32	154	120	95.4	17	177	4-Ø19	8.0
2 1/2"	Flange End	-	VL-CS-B2-F-150-40	180	143	107	19.3	187	4-Ø19	12.2
3"	Flange End	-	VL-CS-B2-F-150-48	192	155	129.5	19.3	202	4-Ø19	15.2
4"	Flange End	-	VL-CS-B2-F-150-64	230	190	162	22.8	228	8-Ø19	22.9
6"	Flange End	-	VL-CS-B2-F-150-96	280	240	215	23	394	8-Ø22	50.7

**Part Number Reference**

Impa Code	Part No	Description
-	VL-CS-B2-F-150-12	3/4" 150# CS FLANGE END BALL VALVE WCB, NON-FIRE SAFE DESIGN, SOLID BALL, PHOSPHATIZED BODY
-	VL-CS-B2-F-150-16	1" 150# CS FLANGE END BALL VALVE WCB, NON-FIRE SAFE DESIGN, SOLID BALL, PHOSPHATIZED BODY
-	VL-CS-B2-F-150-20	1 1/4" 150# CS FLANGE END BALL VALVE WCB, NON-FIRE SAFE DESIGN, SOLID BALL, PHOSPHATIZED BODY
-	VL-CS-B2-F-150-24	1 1/2" 150# CS FLANGE END BALL VALVE WCB, NON-FIRE SAFE DESIGN, NON SOLID BALL
-	VL-CS-B2-F-150-32	2" 150# CS FLANGE END BALL VALVE WCB, NON-FIRE SAFE DESIGN, NON SOLID BALL
-	VL-CS-B2-F-150-40	2 1/2" 150# CS FLANGE END BALL VALVE WCB, NON-FIRE SAFE DESIGN, NON SOLID BALL
-	VL-CS-B2-F-150-48	3" 150# CS FLANGE END BALL VALVE WCB, NON-FIRE SAFE DESIGN, NON SOLID BALL
-	VL-CS-B2-F-150-64	4" 150# CS FLANGE END BALL VALVE WCB, NON-FIRE SAFE DESIGN, NON SOLID BALL
-	VL-CS-B2-F-150-96	6" 150# CS FLANGE END BALL VALVE WCB, NON-FIRE SAFE DESIGN, NON SOLID BALL

## Chuan Kok Hardware & Machinery Pte Ltd

Address : 1783 Geylang Bahru, #01-02, Singapore 339708  
Telephone Number : +65 6294 2566  
Email Address : [info@chuankok.com](mailto:info@chuankok.com)  
Website : [www.chuankok.com](http://www.chuankok.com)  
Business Registration Number : 198201577Z  
Country of Registration : Singapore

### Conditions of Use of Catalogue:

The information in the catalogue are not binding and in order to improve distribution, Chuan Kok Hardware & Machinery Pte Ltd reserves the right to make any change including size and pressure ratings considered necessary at any time and without prior notice. According to the copyright and the civil law, any reproduction (also partial) of figures and texts of this catalogue by means of electronic, mechanical, photocopies, microfilms, recordings or other is forbidden without Chuan Kok Hardware & Machinery Pte Ltd's authorization.  
Catalogue Version: 2021

