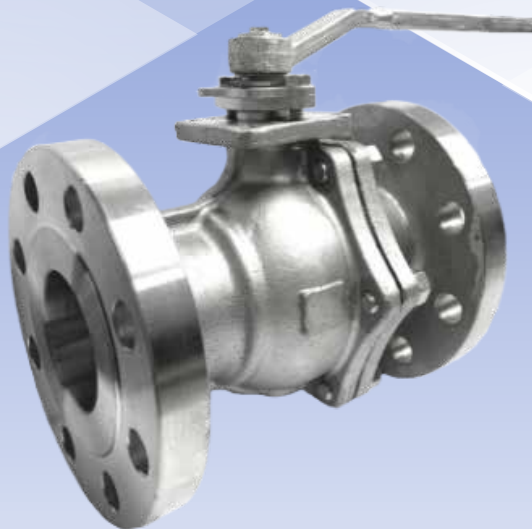


FLANGE END BALL VALVES

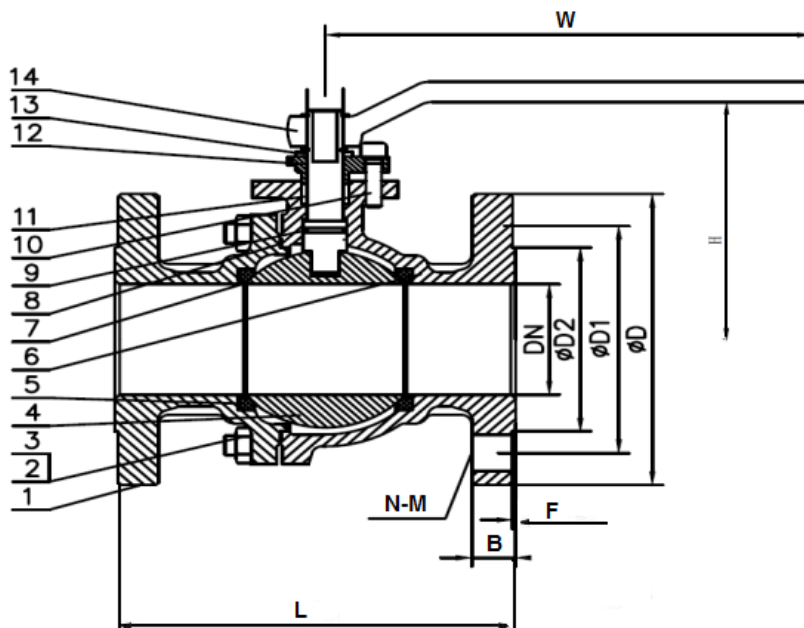
ANSI 300# SS316 Flange End Ball Valves



ANSI 300# Stainless Steel 2 Piece Flange Ball Valves

Features

- Full Bore
- ANSI 300# Flange Connection
- Sizes: 1/2" - 6" (DN15 - DN150)
- Working Pressure: 300#
- Valve Body Material: Stainless Steel SS316
- Fire-safe Design According to API 607
- Applicable Medium: General Oil, Gas & Water Applications
- Blow-out Proof Stem Design
- Temperature: -29 Deg C to 150 Deg C



Technical Specifications

1. Basic design and manufacture according to API 6D
2. Face-to-face dimensions: ASME B16.10
3. Flange dimension: ANSI B16.5
4. Inspection and tested according to API598

Main Technical Parameter			
Normal pressure		300#	
Test pressure	Shell test pressure	6.0	MPa
	Tightness test	4.4	
	Gas-tightness test	0.6	
Max working temperature		-29 to 150	°C
Applicable medium: General oil, gas & water			

Material List

No.	Part Name	Material	No.	Part Name	Material
1	Left Body	SS316, CF8M	8	Gasket	PTFE
2	Stud Bolt	SS304	9	O-Ring	PTFE
3	Nut	SS304	10	Hexagon Screw	SS304
4	Ball	SS316	11	Packing	PTFE
5	Seat	PTFE	12	Bonnet	SS316
6	Body	SS316, CF8M	13	Stop Block	SS304
7	Stem	SS316	14	Handle	SS201

Ordering Information

VL - S - B2 - F - 300 - 08
 I II III IV V VI

I Type of Item

VL Low Pressure Valves

II Material Grade

S	SS316, CF8M	CI	Cast Iron
FS	Forged Steel	CS	Cast Steel
B	Brass		

III Item

GA	Gate Valve	B1	1 PC Ball Valve
GL	Globe Valve	B2	2 PC Ball Valve
YS	Y-Strainer	B3	3 PC Ball Valve
SC	Swing Check Valve	BL	3 Way Ball Valve L Port
VC	Vertical Check Valve	BT	3 Way Ball Valve T Port
WC	Wafer Check Valve	BMF	Male x Female Mini Ball Valve
DD	Dual Disk	BU	Butterfly Valve

IV Connection Type

SW	S/W	G	BSPP
BW	B/W	N	NPT
R	BSPT	F	Flange End
W	Wafer	L	Lug

V Pressure

200	200 PSI	2000	2000 PSI
300	300 PSI	150	ANSI 150# Flange Standard
600	600 PSI	10K	JIS 10K Flange Standard
800	800 PSI	PN16	PN 16 Flange Standard
1000	1000 PSI		

For Inch OD & Inch NB Sizes
VI Size

Size	1/8"	1/4"	5/16"	3/8"	1/2"	5/8"	3/4"	1"
Code	02	04	05	06	08	10	12	16
Size	1 1/4"	1 1/2"	2"	2 1/2"	3"	4"	5"	6"
Code	20	24	32	40	48	64	80	96

VII Coating

(None) No Additional Coating
 NI Nickel Plating

Dimension List

NPS (DN)	Connection	Impa Code	Part No	D	D1	D2	B	L	H	W	N- M	F	Weight (kg)
1/2"	Flange-end	-	VL-S-B2-F-300-08	95	67	35	14	140	73	155	4-14	2	-
3/4"	Flange-end	-	VL-S-B2-F-300-12	117	83	43	16	152	76	160	4-16	2	-
1"	Flange-end	-	VL-S-B2-F-300-16	124	89	51	16	165	86	180	4-16	2	-
1 1/4"	Flange-end	-	VL-S-B2-F-300-20	133	99	64	16	178	91	180	4-16	2	-
1 1/2"	Flange-end	-	VL-S-B2-F-300-24	155	114	73	16	190	119	200	8-16	3	-
2"	Flange-end	-	VL-S-B2-F-300-32	165	127	92	18	216	127	350	4-18	3	-
2 1/2"	Flange-end	-	VL-S-B2-F-300-40	190	150	105	18	241	136	400	8-19	3	-
3"	Flange-end	-	VL-S-B2-F-300-48	210	168	127	20	283	164	500	8-18	3	31.00
4"	Flange-end	-	VL-S-B2-F-300-64	254	200	157	20	305	218	500	8-19	3	43.00
6"	Flange-end	-	VL-S-B2-F-300-96	317	235	216	24	403	260	600	12-19	3	-

Part Number Reference

Impa Code	Part No	Description
-	VL-S-B2-F-300-08	1/2" 300# SS316 FLANGE END BALL VALVE WITH ISO MOUNTING PAD, FIRE SAFE DESIGN
-	VL-S-B2-F-300-12	3/4" 300# SS316 FLANGE END BALL VALVE WITH ISO MOUNTING PAD, FIRE SAFE DESIGN
-	VL-S-B2-F-300-16	1" 300# SS316 FLANGE END BALL VALVE WITH ISO MOUNTING PAD, FIRE SAFE DESIGN
-	VL-S-B2-F-300-20	1 1/4" 300# SS316 FLANGE END BALL VALVE WITH ISO MOUNTING PAD, FIRE SAFE DESIGN
-	VL-S-B2-F-300-24	1 1/2" 300# SS316 FLANGE END BALL VALVE WITH ISO MOUNTING PAD, FIRE SAFE DESIGN
-	VL-S-B2-F-300-32	2" 300# SS316 FLANGE END BALL VALVE WITH ISO MOUNTING PAD, FIRE SAFE DESIGN
-	VL-S-B2-F-300-40	2 1/2" 300# SS316 FLANGE END BALL VALVE WITH ISO MOUNTING PAD, FIRE SAFE DESIGN
-	VL-S-B2-F-300-48	3" 300# SS316 FLANGE END BALL VALVE WITH ISO MOUNTING PAD, FIRE SAFE DESIGN
-	VL-S-B2-F-300-64	4" 300# SS316 FLANGE END BALL VALVE WITH ISO MOUNTING PAD, FIRE SAFE DESIGN
-	VL-S-B2-F-300-96	6" 300# SS316 FLANGE END BALL VALVE WITH ISO MOUNTING PAD, FIRE SAFE DESIGN

Chuan Kok Hardware & Machinery Pte Ltd

Address : 1783 Geylang Bahru, #01-02, Singapore 339708
Telephone Number : +65 6294 2566
Email Address : info@chuankok.com
Website : www.chuankok.com
Business Registration Number : 198201577Z
Country of Registration : Singapore

Conditions of Use of Catalogue:

The information in the catalogue are not binding and in order to improve distribution, Chuan Kok Hardware & Machinery Pte Ltd reserves the right to make any change including size and pressure ratings considered necessary at any time and without prior notice. According to the copyright and the civil law, any reproduction (also partial) of figures and texts of this catalogue by means of electronic, mechanical, photocopies, microfilms, recordings or other is forbidden without Chuan Kok Hardware & Machinery Pte Ltd's authorization.
Catalogue Version: 2021

