

# LOW PRESSURE BALL VALVES

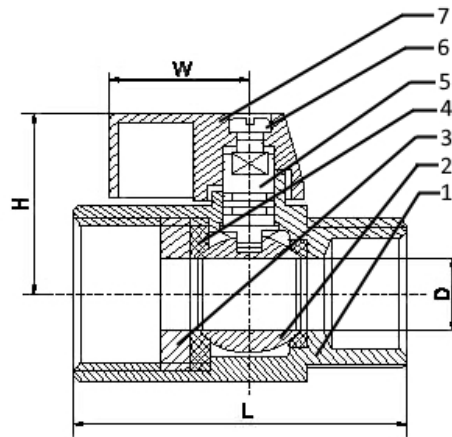
## — Stainless Steel Mini Ball Valves



### SS316 M x F Mini Ball Valves

#### Features

- Reduced Port Design
- Solid Ball Design
- Quarter Turn Operation
- Sizes: 1/8" – 1" (DN6 - DN25)
- Working Pressure: 1000 PSI
- Threaded End: BSPP, NPT
- Applicable Medium: General oil, Gas & Water Applications
- Blow-out Proof Stem Design



#### Material List

No.	Part Name	Material
1	Body	SS316, CF8M
2	Ball	SS316
3	Cap	SS316
4	Ball Seat	PTFE
5	Stem	SS304
6	Bolt	SS304
7	Lever	Aluminium

**Ordering Information**

VL - S - BMF - G - 1000 - 08  
 I II III IV V VI

**I Type of Item**  
 VL Low Pressure Valves

**II Material Grade**  
 S SS316, CF8M CI Cast Iron  
 FS Forged Steel CS Cast Steel  
 B Brass

**III Item**  
 GA Gate Valve B1 1 PC Ball Valve  
 GL Globe Valve B2 2 PC Ball Valve  
 YS Y-Strainer B3 3 PC Ball Valve  
 SC Swing Check Valve BL 3 Way Ball Valve L Port  
 VC Vertical Check Valve BT 3 Way Ball Valve T Port  
 WC Wafer Check Valve BMF Male x Female Mini Ball Valve  
 DD Dual Disk BU Butterfly Valve

**IV Connection Type**  
 SW S/W G BSPP  
 BW B/W N NPT  
 R BSPT F Flange End  
 W Wafer L Lug

**V Pressure**  
 200 200 PSI 2000 2000 PSI  
 300 300 PSI 150 ANSI 150# Flange Standard  
 600 600 PSI 10K JIS 10K Flange Standard  
 800 800 PSI PN16 PN 16 Flange Standard  
 1000 1000 PSI

**For Inch OD & Inch NB Sizes**

VI Size								
Size	1/8"	1/4"	5/16"	3/8"	1/2"	5/8"	3/4"	1"
Code	02	04	05	06	08	10	12	16
Size	1 1/4"	1 1/2"	2"	2 1/2"	3"	4"	5"	6"
Code	20	24	32	40	48	64	80	96

**VII Coating**  
 (None) No Additional Coating  
 NI Nickel Plating

**Dimension List**

NPS	Connection	Impa Code	Part No	D	H	W	L	Weight (Kg)
1/8"	BSPP	-	VL-S-BMF-G-1000-02	7	26.5	22.9	40	0.081
1/4"	BSPP	-	VL-S-BMF-G-1000-04	7	26.5	22.9	40	0.081
3/8"	BSPP	-	VL-S-BMF-G-1000-06	7	26.5	22.9	40	0.084
1/2"	BSPP	-	VL-S-BMF-G-1000-08	9.2	29.3	22.9	46	0.105
3/4"	BSPP	-	VL-S-BMF-G-1000-12	12.5	31.5	22.9	54	0.105
1"	BSPP	-	VL-S-BMF-G-1000-16	15	34	22.9	65	0.284
1/8"	NPT	-	VL-S-BMF-N-1000-02	7	26.5	22.9	40	0.081
1/4"	NPT	-	VL-S-BMF-N-1000-04	7	26.5	22.9	40	0.081
3/8"	NPT	-	VL-S-BMF-N-1000-06	7	26.5	22.9	40	0.084
1/2"	NPT	-	VL-S-BMF-N-1000-08	9.2	29.3	22.9	46	0.105
3/4"	NPT	-	VL-S-BMF-N-1000-12	12.5	31.5	22.9	54	0.105
1"	NPT	-	VL-S-BMF-N-1000-16	15	34	22.9	65	0.284

**Part Number Reference**

Impa Code	Part No	Description
-	VL-S-BMF-G-1000-02	1/8"BSPP SS316 M x F MINI BALL VALVE 1000 PSI, MALE x FEMALE, SOLID BALL
-	VL-S-BMF-G-1000-04	1/4"BSPP SS316 M x F MINI BALL VALVE 1000 PSI, MALE x FEMALE, SOLID BALL
-	VL-S-BMF-G-1000-06	3/8"BSPP SS316 M x F MINI BALL VALVE 1000 PSI, MALE x FEMALE, SOLID BALL
-	VL-S-BMF-G-1000-08	1/2"BSPP SS316 M x F MINI BALL VALVE 1000 PSI, MALE x FEMALE, SOLID BALL
-	VL-S-BMF-G-1000-12	3/4"BSPP SS316 M x F MINI BALL VALVE 1000 PSI, MALE x FEMALE, SOLID BALL
-	VL-S-BMF-G-1000-16	1"BSPP SS316 M x F MINI BALL VALVE 1000 PSI, MALE x FEMALE, SOLID BALL
-	VL-S-BMF-N-1000-02	1/8"NPT SS316 M x F MINI BALL VALVE 1000 PSI, MALE x FEMALE, SOLID BALL
-	VL-S-BMF-N-1000-04	1/4"NPT SS316 M x F MINI BALL VALVE 1000 PSI, MALE x FEMALE, SOLID BALL
-	VL-S-BMF-N-1000-06	3/8"NPT SS316 M x F MINI BALL VALVE 1000 PSI, MALE x FEMALE, SOLID BALL
-	VL-S-BMF-N-1000-08	1/2"NPT SS316 M x F MINI BALL VALVE 1000 PSI, MALE x FEMALE, SOLID BALL
-	VL-S-BMF-N-1000-12	3/4"NPT SS316 M x F MINI BALL VALVE 1000 PSI, MALE x FEMALE, SOLID BALL

## Chuan Kok Hardware & Machinery Pte Ltd

Address : 1783 Geylang Bahru, #01-02, Singapore 339708  
Telephone Number : +65 6294 2566  
Email Address : [info@chuankok.com](mailto:info@chuankok.com)  
Website : [www.chuankok.com](http://www.chuankok.com)  
Business Registration Number : 198201577Z  
Country of Registration : Singapore

### Conditions of Use of Catalogue:

The information in the catalogue are not binding and in order to improve distribution, Chuan Kok Hardware & Machinery Pte Ltd reserves the right to make any change including size and pressure ratings considered necessary at any time and without prior notice. According to the copyright and the civil law, any reproduction (also partial) of figures and texts of this catalogue by means of electronic, mechanical, photocopies, microfilms, recordings or other is forbidden without Chuan Kok Hardware & Machinery Pte Ltd's authorization.  
Catalogue Version: 2021

