



BRASS BALL VALVES

Literature



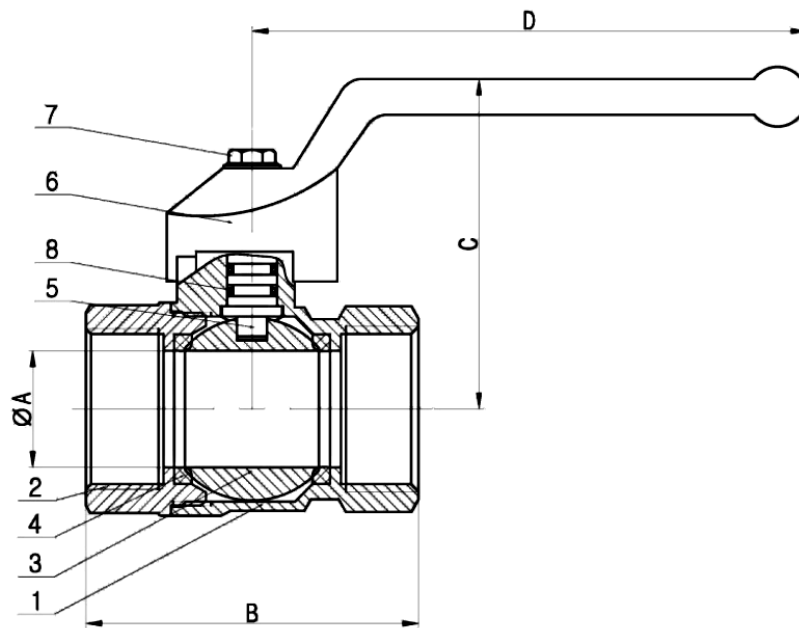
Introduction:



Figure 1 Brass Standard Ball Valve

Brass ball valves is a 2 way ball valve that is used for shut off application. It is a quarter turn type ball valve where the handle will be pivoted at 90 degree to open or close the ball. There are 2 types of coating available which are non-nickel plated and nickel plated.

Brass ball valve is mostly used for general oil, gas and water applications, in residential and light commercial applications. Typical services include: Multi-purpose shut-off valve for use in domestic hot and cold water systems, natural or bottled gas and compressed air systems.



Brass Standard Ball Valve Drawing

Material List :

NO	PART NAME	MATERIAL
1	Body	Brass
2	Bonnet	Brass
3	Ball	Hard Chromed Brass
4	Seat	PTFE
5	Stem	Brass

6	Handle	Aluminium
7	Nut	Steel
8	O Ring	NBR

Chuan Kok Hardware & Machinery Pte Ltd

Address : 1783 Geylang Bahru, #01-02, Singapore 339708
Telephone Number : +65 6294 2566
Email Address : info@chuankok.com
Website : www.chuankok.com
Business Registration Number : 198201577Z
Country of Registration : Singapore

Conditions of Use of Catalogue:

The information in the catalogue are not binding and in order to improve distribution, Chuan Kok Hardware & Machinery Pte Ltd reserves the right to make any change including size and pressure ratings considered necessary at any time and without prior notice. According to the copyright and the civil law, any reproduction (also partial) of figures and texts of this catalogue by means of electronic, mechanical, photocopies, microfilms, recordings or other is forbidden without Chuan Kok Hardware & Machinery Pte Ltd's authorization.
Catalogue Version: 2021

