



# T-PORT BALL VALVES

## Literature



**Introduction:**



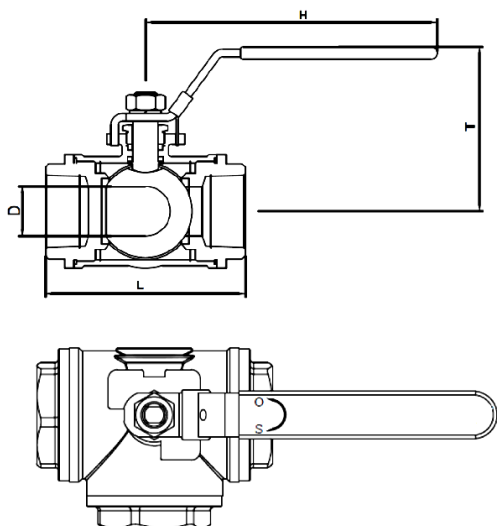
3 way ball valve is a ball valve with 3 ports installed on applications that require fluids to flow in a certain direction. It is designed as a full bore type ball valve and comes with 3 directional markings at the top of the valve body. The handle can be rotated according to the directional marking to decide which port shall open or close.

This T-Port type 3 way ball valve allows the fluids to flow from or to different directions. For example, when the arrow directional marking is facing all three ports, fluids may flow from center port to right port and left port, depending on the inlet port and outlet port of the pipeline system. It can function as an L-Port type as well. Do refer below flow direction illustration drawing for more options.

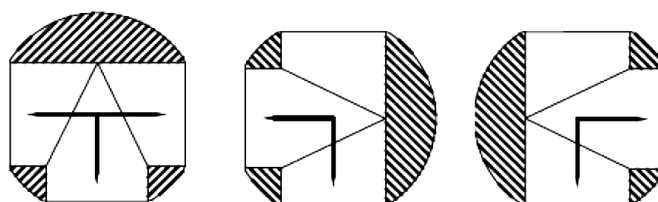
**Figure 1 T-Port Ball Valve**

For 3 way ball valve T-Port, any port can be inlet port or outlet port, depending on the pipework requirement. It is available in stainless steel SS316 material with PTFE material seat.

For 3 way ball valve T-Port, any port can be inlet port or outlet port, depending on the pipework requirement. It is available in stainless steel SS316 material with PTFE material seat.



3 Way Ball Valve T-Port Drawing



3 Way Ball Valve T-Port Flow Direction Drawing

**Material List :**

NO	PART NAME	MATERIAL
1	Bonnet	SS316, CF8M
2	Seat	PTFE
3	Gasket	PTFE
4	Body	SS316, CF8M
5	Ball	SS316

---

6	Thrust Gasket	PTFE
7	Stem	SS316
8	Gland	SS304
9	Lever	SS304
10	Washer	SS304
11	Nut	SS304

## **Chuan Kok Hardware & Machinery Pte Ltd**

Address : 1783 Geylang Bahru, #01-02, Singapore 339708  
Telephone Number : +65 6294 2566  
Email Address : [info@chuankok.com](mailto:info@chuankok.com)  
Website : [www.chuankok.com](http://www.chuankok.com)  
Business Registration Number : 198201577Z  
Country of Registration : Singapore

### **Conditions of Use of Catalogue:**

The information in the catalogue are not binding and in order to improve distribution, Chuan Kok Hardware & Machinery Pte Ltd reserves the right to make any change including size and pressure ratings considered necessary at any time and without prior notice. According to the copyright and the civil law, any reproduction (also partial) of figures and texts of this catalogue by means of electronic, mechanical, photocopies, microfilms, recordings or other is forbidden without Chuan Kok Hardware & Machinery Pte Ltd's authorization.  
Catalogue Version: 2021

