



L-PORT BALL VALVES

Literature



Introduction:

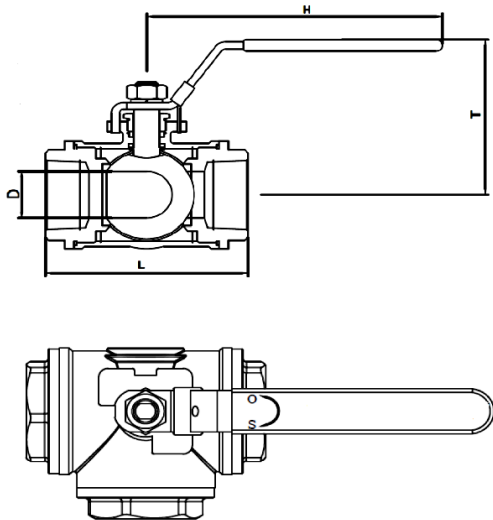


Figure 1 L-Port Ball Valve

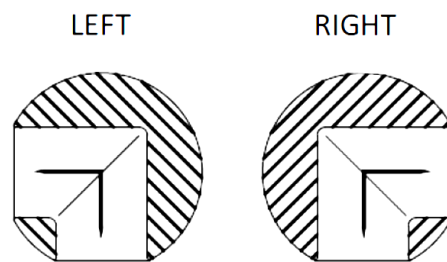
3-way ball valve is a 3-port ball valve that is used to select the flow direction in a pipeline. It is a full bore type ball valve and comes with a quarter turn handle. By rotating the handle in 90 degrees, the user can select the certain flow direction according to the arrow directional marking on the valve.

This L-Port type 3 way ball valve allows fluids to flow in 90 degree direction. For example, when the arrow directional marking is facing left and center, the fluid may flow from center port to left port or left port to center port, while the right port is closing. While when the arrow directional marking is facing right and center, the fluid may flow from center port to right port or right port to center port, with left port closing. Do refer below drawing for the flow direction illustration.

For the 3-way ball valve L-Port, it only has 1 inlet port and 1 outlet port, while the other 1 is in a closed position to block the flow. The valve is available in stainless steel SS316 material with PTFE sealing.



3 Way Ball Valves L-Port Drawing



3 Way Ball Valves L-Port
Flow Direction Drawing

Material List :

NO	PART NAME	MATERIAL
1	Bonnet	SS316, CF8M
2	Seat	PTFE
3	Gasket	PTFE
4	Body	SS316, CF8M
5	Ball	SS316

6	Thrust Gasket	PTFE
7	Stem	SS316
8	Gland	SS304
9	Lever	SS304
10	Washer	SS304
11	Nut	SS304

Chuan Kok Hardware & Machinery Pte Ltd

Address : 1783 Geylang Bahru, #01-02, Singapore 339708
Telephone Number : +65 6294 2566
Email Address : info@chuankok.com
Website : www.chuankok.com
Business Registration Number : 198201577Z
Country of Registration : Singapore

Conditions of Use of Catalogue:

The information in the catalogue are not binding and in order to improve distribution, Chuan Kok Hardware & Machinery Pte Ltd reserves the right to make any change including size and pressure ratings considered necessary at any time and without prior notice. According to the copyright and the civil law, any reproduction (also partial) of figures and texts of this catalogue by means of electronic, mechanical, photocopies, microfilms, recordings or other is forbidden without Chuan Kok Hardware & Machinery Pte Ltd's authorization.
Catalogue Version: 2021

