



3PC BALL VALVES

Literature



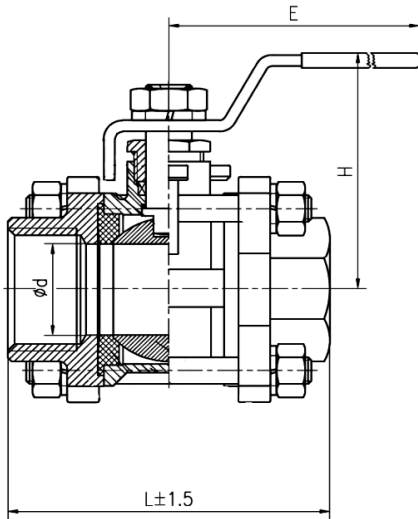
Introduction:



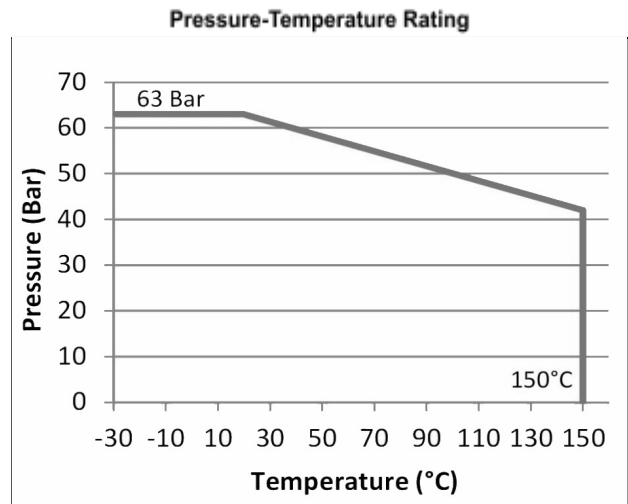
Figure 1 3 PC Threaded Ball Valve

3 PCs threaded end ball valve is a ball valve that is used to allow or stop the fluids flow in a pipework system. It is designed to be full bore type and come with a quarter turn handle. The handle can be turned by 90 degrees to set the valve in open or close position. The locking mechanism on the handle is to avoid the handle accidentally turning when it is in open position or close position.

3 PCs threaded end ball valve consists of 3 pieces, the valve body and 2 pieces threaded end connection. These 3 pieces can be assembled together by using bolts to go through the bolt hole outside of threaded connection and tighten with nuts. The 2 piece threaded end connection has to connect with the threaded type pipe end before the valve body assembly on it. The valve body can be removed for repair purposes by removing the nuts and bolts, without removing the end connections. It is available in stainless steel SS316 material and comes with PTFE sealing material.



3 PC Threaded Ball Valve Drawing



3 PC Threaded Ball Valve Pressure-Temperature Rating

Material List :

NO	PART NAME	MATERIAL
1	Body	SS316, CF8M
2	Cap	SS316
3	Seat	PTFE
4	Ball	SS316

5	Seal Gasket	PTFE
6	Stem Seal	PTFE
7	Stem	SS316
8	Anti-Static Device	SS304
9	Stem Packing	PTFE
10	Packing Gland	SS304
11	Spring Washer	SS301
12	Handle	SS304
13	Stem Nut	SS304

Chuan Kok Hardware & Machinery Pte Ltd

Address : 1783 Geylang Bahru, #01-02, Singapore 339708
Telephone Number : +65 6294 2566
Email Address : info@chuankok.com
Website : www.chuankok.com
Business Registration Number : 198201577Z
Country of Registration : Singapore

Conditions of Use of Catalogue:

The information in the catalogue are not binding and in order to improve distribution, Chuan Kok Hardware & Machinery Pte Ltd reserves the right to make any change including size and pressure ratings considered necessary at any time and without prior notice. According to the copyright and the civil law, any reproduction (also partial) of figures and texts of this catalogue by means of electronic, mechanical, photocopies, microfilms, recordings or other is forbidden without Chuan Kok Hardware & Machinery Pte Ltd's authorization.
Catalogue Version: 2021

