



3PC BALL VALVES

Literature



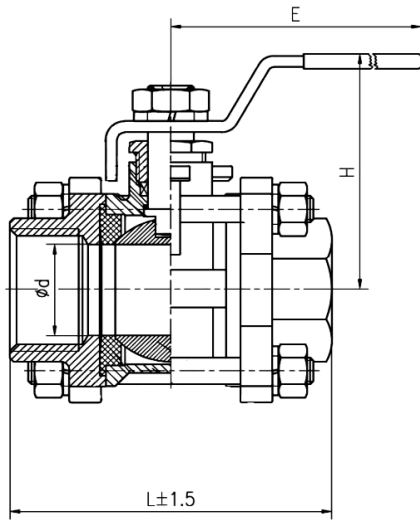
Introduction:



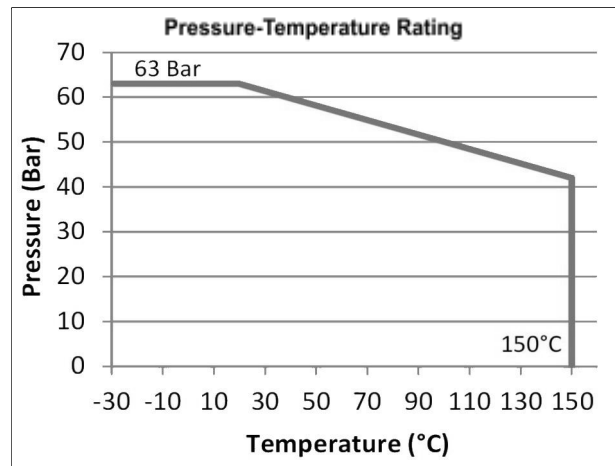
3 PCs socket weld ball valve is a valve that is used to start or stop the fluids flow in a pipeline system. It is designed in full bore type and comes with a quarter turn handle. The handle can be turned by 90 degrees to open or close the valve. The locking device on the handle works as a locking mechanism to make sure the valve is in open position only or close position only.

Figure 1 3 PC Socket Weld Ball Valve

3 PCs socket weld ball valve consists of 2 pieces socket weld end connection and the valve body. The valve body is assembled with the 2 piece socket weld end connected by bolts and nuts. The 2 piece socket weld end connection will be connected to the plain end type pipe end before the body assembly on it. The valve body can be removed for cleaning purposes without removing the 2 welded end connection. This ball valve is available in stainless steel SS316 material and with PTFE sealing material.



3 PC Socket Weld Ball Valve Drawing



3 PC Socket Weld Ball Valve Pressure-Temperature Rating

Material List :

NO	PART NAME	MATERIAL
1	Body	SS316, CF8M
2	Cap	SS316
3	Seat	PTFE
4	Ball	SS316
5	Seal Gasket	PTFE

6	Stem Seal	PTFE
7	Stem	SS316
8	Anti-Static Device	SS304
9	Stem Packing	PTFE
10	Packing Gland	SS304
11	Spring Washer	SS301
12	Handle	SS304
13	Stem Nut	SS304

Chuan Kok Hardware & Machinery Pte Ltd

Address : 1783 Geylang Bahru, #01-02, Singapore 339708
Telephone Number : +65 6294 2566
Email Address : info@chuankok.com
Website : www.chuankok.com
Business Registration Number : 198201577Z
Country of Registration : Singapore

Conditions of Use of Catalogue:

The information in the catalogue are not binding and in order to improve distribution, Chuan Kok Hardware & Machinery Pte Ltd reserves the right to make any change including size and pressure ratings considered necessary at any time and without prior notice. According to the copyright and the civil law, any reproduction (also partial) of figures and texts of this catalogue by means of electronic, mechanical, photocopies, microfilms, recordings or other is forbidden without Chuan Kok Hardware & Machinery Pte Ltd's authorization.
Catalogue Version: 2021

