



# 3PC BALL VALVES

## Literature



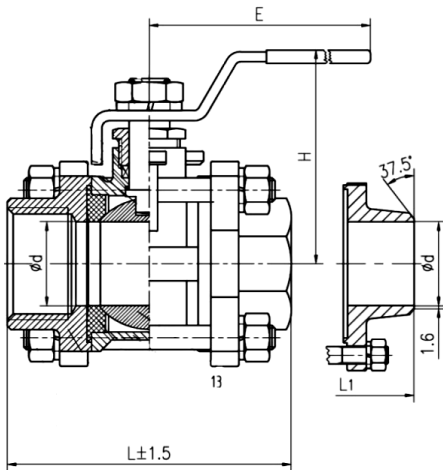
**Introduction:**



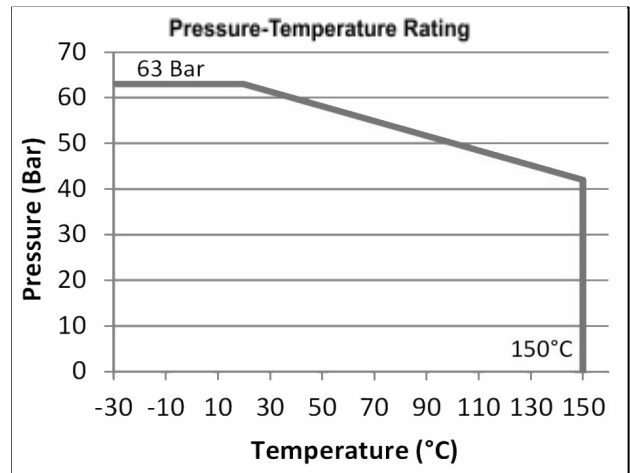
3 PC butt weld ball valve is a full bore type ball valve that is installed on a pipeline to allow or stop the fluids flow. The quarter turn design handle can be turned 90 degrees to open or close the valve. The locking device works as a locking mechanism on the handle to avoid it being turned when it locks in open position or close position.

**Figure 1 3 PC Butt Weld Ball Valve**

3 PC butt weld ball valves consist of 3 pieces, 2 pieces with butt weld connection end and the valve body. The 2 pieces with butt weld end connection are assembled to the valve body with bolts and nuts. The 2 piece butt weld end connection needs to connect to butt weld type pipe end first before being attached with the valve body. The valve body can be removed for maintenance purposes without the need to remove the welded connection end. It is available in stainless steel SS316 material and with PTFE seats.



3 PC Butt Weld Ball Valve Drawing



3 PC Butt Weld Ball Valve Pressure-Temperature Rating

**Materials:**

NO	PART NAME	MATERIAL
1	Body	SS316, CF8M
2	Cap	SS316
3	Ball	SS316
4	Seal	PTFE
5	Bolt	SS304

6	Gasket	SS301
7	Stem Nut	SS304
8	Stem Seal	PTFE
9	Stem	SS316
10	Packing	PTFE
11	Packing Gland	SS304
12	Handle	SS304
13	Spring Washer	SS301
14	Stem Nut	SS304

## **Chuan Kok Hardware & Machinery Pte Ltd**

Address : 1783 Geylang Bahru, #01-02, Singapore 339708  
Telephone Number : +65 6294 2566  
Email Address : [info@chuankok.com](mailto:info@chuankok.com)  
Website : [www.chuankok.com](http://www.chuankok.com)  
Business Registration Number : 198201577Z  
Country of Registration : Singapore

### **Conditions of Use of Catalogue:**

The information in the catalogue are not binding and in order to improve distribution, Chuan Kok Hardware & Machinery Pte Ltd reserves the right to make any change including size and pressure ratings considered necessary at any time and without prior notice. According to the copyright and the civil law, any reproduction (also partial) of figures and texts of this catalogue by means of electronic, mechanical, photocopies, microfilms, recordings or other is forbidden without Chuan Kok Hardware & Machinery Pte Ltd's authorization.  
Catalogue Version: 2021

