



2PC BALL VALVES

Literature



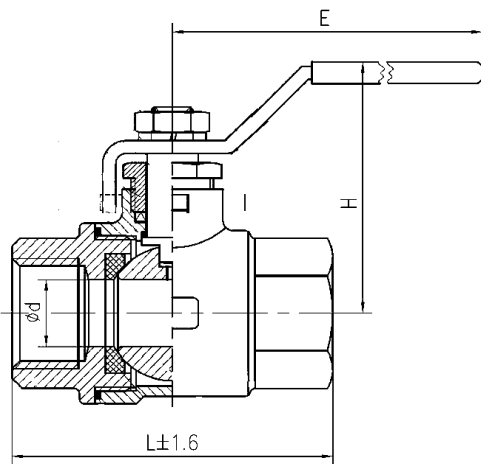
Introduction:

2 PC ball valve is a full bore type ball valve that is used to permit or stop the flow of a hydraulic system. It comes with a quarter turn handle to rotate the ball in 90 degrees, putting the valve in open position or close position. The handle is coming with a locking device to lock the handle when the valve is in open position or close position.

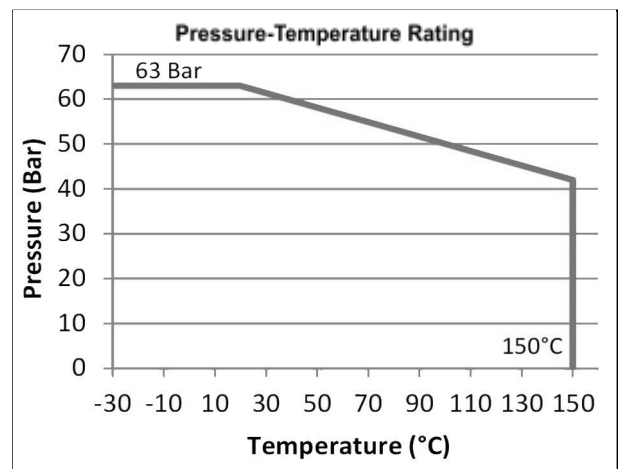


Figure 1 2 PC Threaded Ball Valve

2 PC ball valves consist of 2 pieces, one piece that has one connection end and the valve body. The piece with one end connection fits into the valve body and holds the trim in place. Full bore type ball valve is where the bore is the same size as the internal diameter of the pipe. The available material for 2 PC ball valves is stainless steel SS316 and comes with PTFE sealing.



2 PC Threaded Ball Valve Drawing



2 PC Threaded Ball Valve Pressure-Temperature Rating

Material List :

NO	PART NAME	MATERIAL
1	Body	SS316, CF8M
2	Cap	SS316
3	Seat	PTFE
4	Ball	SS316
5	Seal Gasket	PTFE
6	Stem Seal	PTFE
7	Stem	SS316

8	Anti-Static Device	SS304
9	Stem Packing	PTFE
10	Packing Gland	SS304
11	Spring Washer	SS301
12	Handle	SS304
13	Stem Nut	SS304

Chuan Kok Hardware & Machinery Pte Ltd

Address : 1783 Geylang Bahru, #01-02, Singapore 339708
Telephone Number : +65 6294 2566
Email Address : info@chuankok.com
Website : www.chuankok.com
Business Registration Number : 198201577Z
Country of Registration : Singapore

Conditions of Use of Catalogue:

The information in the catalogue are not binding and in order to improve distribution, Chuan Kok Hardware & Machinery Pte Ltd reserves the right to make any change including size and pressure ratings considered necessary at any time and without prior notice. According to the copyright and the civil law, any reproduction (also partial) of figures and texts of this catalogue by means of electronic, mechanical, photocopies, microfilms, recordings or other is forbidden without Chuan Kok Hardware & Machinery Pte Ltd's authorization.
Catalogue Version: 2021

