



1PC BALL VALVES

Literature



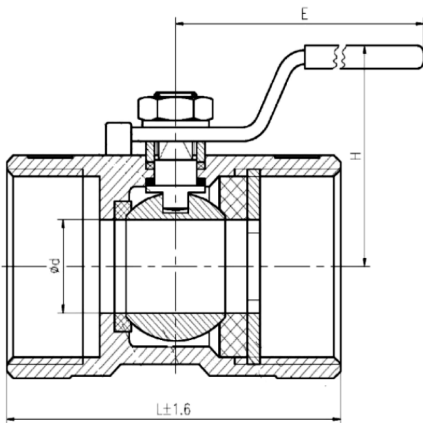
Introduction:



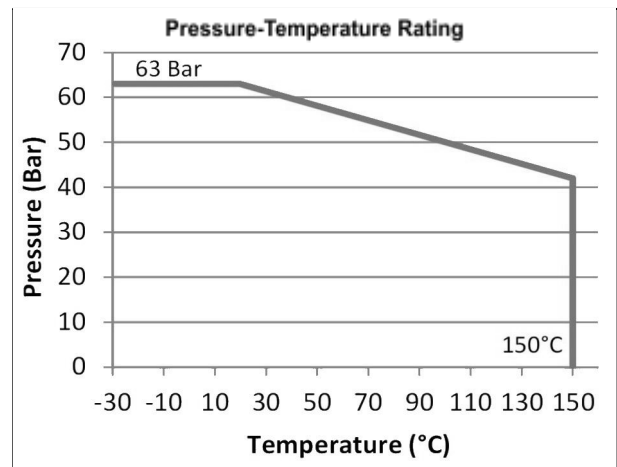
Figure 1 1 PC Threaded Ball Valve

1 PC ball valve is a reduced bore type ball valve that is used to start or stop the flow of a pipeline system. It is designed with a quarter turn handle to turn the ball 90 degrees, either in open position or close position. The locking mechanism on the handle is to lock the handle when the valve is in open position or close position.

Reduced bore type ball valve is a valve where the bore size is smaller than the internal diameter of pipeworks which it is installed on. It is available in stainless steel SS316 material and comes with a PTFE seat. It is made in one body part which leads to cost effectiveness and reduces leakage paths.



1 PC Threaded Ball Valve Drawing



1 PC Threaded Ball Valve Pressure-Temperature Rating

Material List :

NO	PART NAME	MATERIAL
1	Body	SS316, CF8M
2	Cap	SS316
3	Seat	PTFE
4	Ball	SS316
5	Seal Gasket	PTFE
6	Stem Seal	PTFE
7	Stem	SS316
8	Anti-Static Device	SS304
9	Stem Packing	PTFE

10	Packing Gland	SS304
11	Spring Washer	SS301
12	Handle	SS304
13	Stem Nut	SS304

Chuan Kok Hardware & Machinery Pte Ltd

Address : 1783 Geylang Bahru, #01-02, Singapore 339708
Telephone Number : +65 6294 2566
Email Address : info@chuankok.com
Website : www.chuankok.com
Business Registration Number : 198201577Z
Country of Registration : Singapore

Conditions of Use of Catalogue:

The information in the catalogue are not binding and in order to improve distribution, Chuan Kok Hardware & Machinery Pte Ltd reserves the right to make any change including size and pressure ratings considered necessary at any time and without prior notice. According to the copyright and the civil law, any reproduction (also partial) of figures and texts of this catalogue by means of electronic, mechanical, photocopies, microfilms, recordings or other is forbidden without Chuan Kok Hardware & Machinery Pte Ltd's authorization.
Catalogue Version: 2021

