

BUTTERFLY VALVES

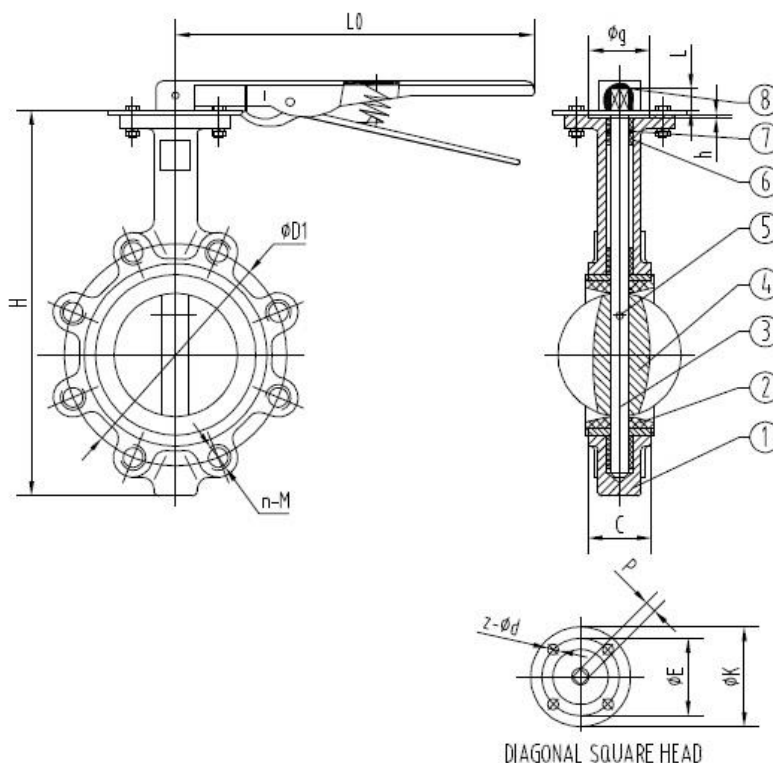
ANSI 150# Cast Iron Lug Type Butterfly Valves



ANSI 150# Cast Iron Lug Type Butterfly Valves

Features

- ANSI 150# Lug Type Connection
- Size: 1 1/2" – 6" (DN40 - DN150)
- Valve Body Material: Cast Iron
- Working Pressure: 150 PSI
- Applicable Medium: General oil, gas and water applications
- Temperature Range: -30°C - 120°C



Material List

No.	Part Name	Material
1	Body	Cast Iron
2	Seat	EPDM
3	Shaft	SS410
4	Disc	CF8
5	Pin	SS304
6	Bushing	Polymers
7	Oring	NBR
8	Handle Lever	Ductile Iron

Technical Specifications

1. Basic design and manufacture according to API 609
2. Face to face dimension: API609
3. Inspection and test: API 598

Main Technical Parameter			
Nominal Pressure		1.6	MPa
Test Pressure	Shell	2.4	
	Sealing	1.76	
Working Temperature		-30 - 120	°C
Applicable Medium: General oil, gas & water			

Ordering Information

VL - CI - BU - L - 150 - 24
 I II III IV V VI

I Type of Item

VL Low Pressure Valves

II Material Grade

S	SS316, CF8M	CI	Cast Iron
FS	Forged Steel	CS	Cast Steel
B	Brass		

III Item

GA	Gate Valve	B1	1 PC Ball Valve
GL	Globe Valve	B2	2 PC Ball Valve
YS	Y-Strainer	B3	3 PC Ball Valve
SC	Swing Check Valve	BL	3 Way Ball Valve L Port
VC	Vertical Check Valve	BT	3 Way Ball Valve T Port
WC	Wafer Check Valve	BMF	Male x Female Mini Ball Valve
DD	Dual Disk	BU	Butterfly Valve

IV Connection Type

SW	S/W	G	BSPP
BW	B/W	N	NPT
R	BSPT	F	Flange End
W	Wafer	L	Lug

V Pressure

200	200 PSI	2000	2000 PSI
300	300 PSI	150	ANSI 150# Flange Standard
600	600 PSI	10K	JIS 10K Flange Standard
800	800 PSI	PN16	PN 16 Flange Standard
1000	1000 PSI		

For Inch OD & Inch NB Sizes
VI Size

Size	1/8"	1/4"	5/16"	3/8"	1/2"	5/8"	3/4"	1"
Code	02	04	05	06	08	10	12	16
Size	1 1/4"	1 1/2"	2"	2 1/2"	3"	4"	5"	6"
Code	20	24	32	40	48	64	80	96

VII Coating

(None) No Additional Coating
 NI Nickel Plating

Dimension List

Size		H	C	L	P	LO	Upper Flange					ANSI 150	
DN	Inches						K	E	z-d	g	h	D1	n-M
40	1 1/2"	214	33.4	24	9	220	65	50	4-7	35	2.2	99	4-1/2"
50	2"	242	35	27	9	220	65	50	4-7	35	2.2	120.5	4-5/8"
65	2 1/2"	265	45	24	9	220	65	50	4-7	35	2.2	139.5	4-5/8"
80	3"	278	45.5	24	9	220	65	50	4-7	35	2.2	152.5	4-5/8"
100	4"	315	51	25	11	255	90	70	4-9	36	2.2	190.5	8-5/8"
125	5"	343	54	25	14	260	90	70	4-9	36	2.2	216	8-3/4"
150	6"	369	55	27	14	260	90	70	4-9	36	2.2	241.5	8-3/4"

Part Number Reference

Part No	Description
VL-CI-BU-L-150-24	1 1/2" 150# CI BUTTERFLY VALVE LUG TYPE, 4 HOLE, CAST IRON BODY, EPDM SEAT, DISC SS304, SHAFT SS410, HANDLE OPERATOR
VL-CI-BU-L-150-32	2" 150# CI BUTTERFLY VALVE LUG TYPE, 4 HOLE, CAST IRON BODY, EPDM SEAT, DISC SS304, SHAFT SS410, HANDLE OPERATOR
VL-CI-BU-L-150-40	2 1/2" 150# CI BUTTERFLY VALVE LUG TYPE, 4 HOLE, CAST IRON BODY, EPDM SEAT, DISC SS304, SHAFT SS410, HANDLE OPERATOR
VL-CI-BU-L-150-48	3" 150# CI BUTTERFLY VALVE LUG TYPE, 4 HOLE, CAST IRON BODY, EPDM SEAT, DISC SS304, SHAFT SS410, HANDLE OPERATOR
VL-CI-BU-L-150-64	4" 150# CI BUTTERFLY VALVE LUG TYPE, 8 HOLE, CAST IRON BODY, EPDM SEAT, DISC SS304, SHAFT SS410, HANDLE OPERATOR
VL-CI-BU-L-150-80	5" 150# CI BUTTERFLY VALVE LUG TYPE, 8 HOLE, CAST IRON BODY, EPDM SEAT, DISC SS304, SHAFT SS410, HANDLE OPERATOR
VL-CI-BU-L-150-96	6" 150# CI BUTTERFLY VALVE LUG TYPE, 8 HOLE, CAST IRON BODY, EPDM SEAT, DISC SS304, SHAFT SS410, HANDLE OPERATOR

Chuan Kok Hardware & Machinery Pte Ltd

Address : 1783 Geylang Bahru, #01-02, Singapore 339708
Telephone Number : +65 6294 2566
Email Address : info@chuankok.com
Website : www.chuankok.com
Business Registration Number : 198201577Z
Country of Registration : Singapore

Conditions of Use of Catalogue:

The information in the catalogue are not binding and in order to improve distribution, Chuan Kok Hardware & Machinery Pte Ltd reserves the right to make any change including size and pressure ratings considered necessary at any time and without prior notice. According to the copyright and the civil law, any reproduction (also partial) of figures and texts of this catalogue by means of electronic, mechanical, photocopies, microfilms, recordings or other is forbidden without Chuan Kok Hardware & Machinery Pte Ltd's authorization.
Catalogue Version: 2021

