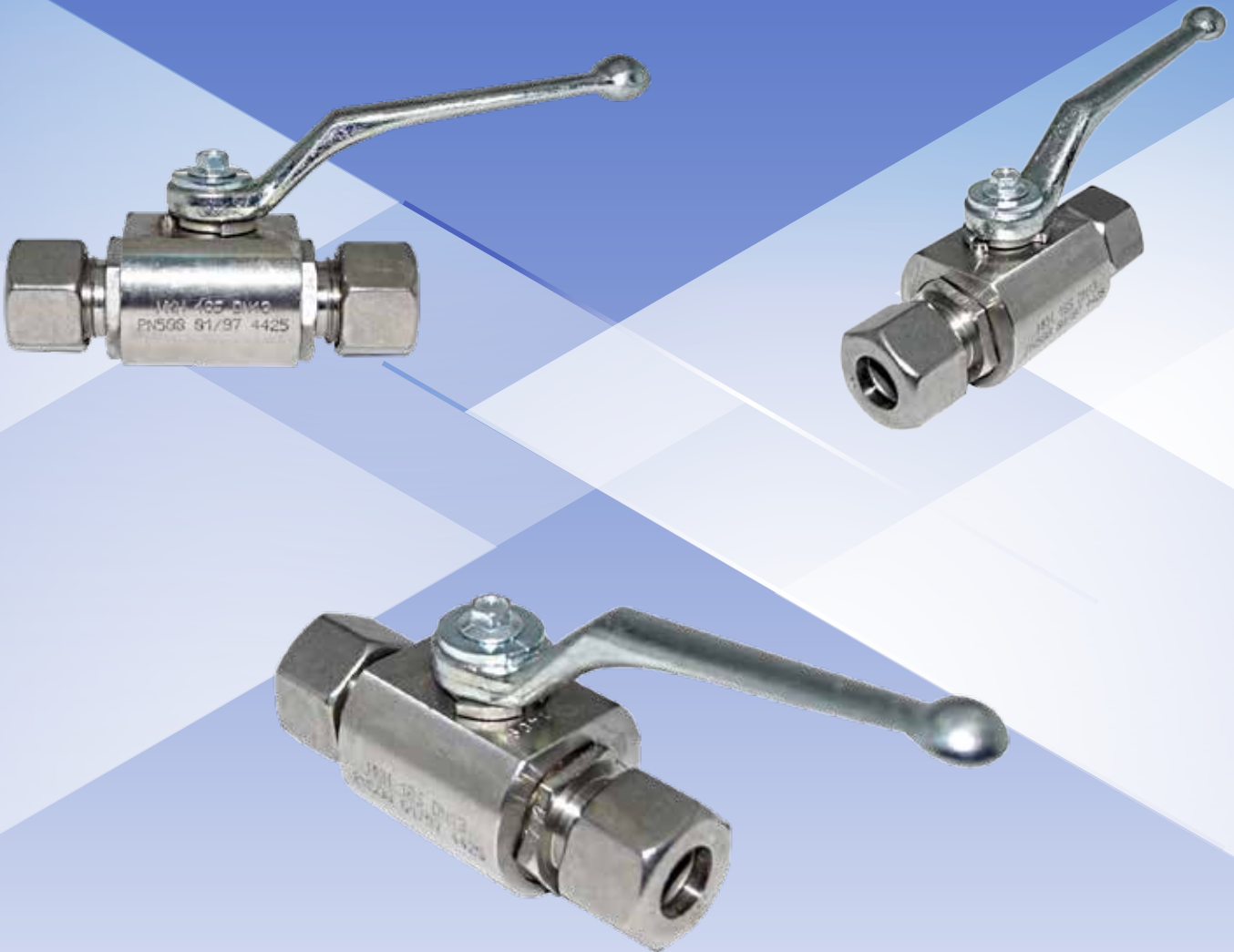


HYDRAULIC BALL VALVES

High Pressure Ball Valves



High Pressure Stainless Steel Ball Valves

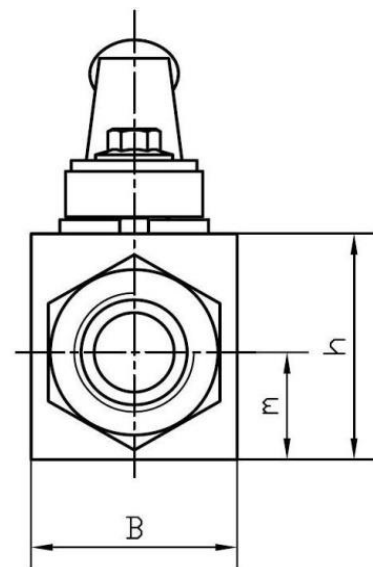
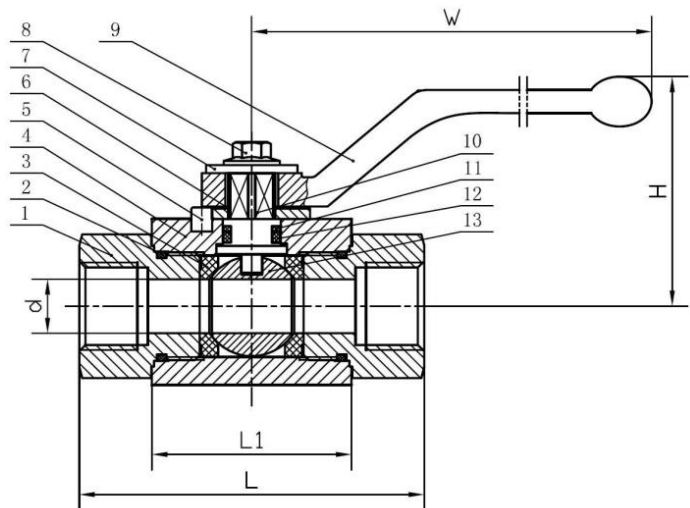
Features

- Design and manufactured in accordance to ANSI B16:34 standard
- Full Bore
- Size: 1/4" - 1" (DN6 - DN25)
- Maximum Working Pressure:
 DN6 to DN15: PN 500
 DN20 to DN25: PN 420
- Burst Pressure: Burst pressure is 2 times the maximum working pressure.
- Threaded End: NPT, BSPP
- Temperature Range: -30°C to +100°C
- Applicable Medium: General oil & water hydraulics. Not suitable for Gas applications.



Material List

No.	Part Name	Material
1	End Cap	ASTM A276 316
2	O Ring	NBR
3	Seat	POM
4	Body	ASTM A276 316
5	Pin	ASTM A276 316
6	Snap Ring	ASTM A276 316
7	Metal Gasket	ASTM A276 316
8	Handle Nut	ASTM A276 316
9	Handle	Aluminium Alloy
10	Stem	ASTM A276 316
11	Back-up Ring	PTFE
12	O Ring	NBR
13	Ball	ASTM A276 316



Dimension List

Size (Inch)	Part No (NPT)	Part No (BSPP)	d	L	L1	W	H	h	B	m
1/4"	V-B-S-TW-N-02	V-B-S-TW-G-02	6	69	40	115	52.0	33	27	15.0
3/8"	V-B-S-TW-N-03	V-B-S-TW-G-03	10	72	43	115	55.0	38	33	17.5
1/2"	V-B-S-TW-N-04	V-B-S-TW-G-04	13	83	48	115	55.0	40	36	19.0
3/4"	V-B-S-TW-N-06	V-B-S-TW-G-06	20	95	62	190	78.5	58	54	27.5
1"	V-B-S-TW-N-10	V-B-S-TW-G-10	25	113	68	190	81.0	65	62	31.5

Part Number Reference

Part No.	Description
V-B-S-TW-N-02	1/4"NPT SS316 BALL VALVE (500 BAR) BKH, 442A
V-B-S-TW-N-03	3/8"NPT SS316 BALL VALVE (500 BAR) BKH, 442A
V-B-S-TW-N-04	1/2"NPT SS316 BALL VALVE (500 BAR) BKH, 442A
V-B-S-TW-N-06	3/4"NPT SS316 BALL VALVE (420 BAR) BKH, 442A
V-B-S-TW-N-10	1"NPT SS316 BALL VALVE (420 BAR) BKH, 442A
V-B-S-TW-G-02	1/4"BSPP SS316 BALL VALVE (500 BAR) BKH, 442A
V-B-S-TW-G-03	3/8"BSPP SS316 BALL VALVE (500 BAR) BKH, 442A
V-B-S-TW-G-04	1/2"BSPP SS316 BALL VALVE (500 BAR) BKH, 442A
V-B-S-TW-G-06	3/4"BSPP SS316 BALL VALVE (420 BAR) BKH, 442A
V-B-S-TW-G-10	1"BSPP SS316 BALL VALVE (420 BAR) BKH, 442A

Chuan Kok Hardware & Machinery Pte Ltd

Address : 1783 Geylang Bahru, #01-02, Singapore 339708
Telephone Number : +65 6294 2566
Email Address : info@chuankok.com
Website : www.chuankok.com
Business Registration Number : 198201577Z
Country of Registration : Singapore

Conditions of Use of Catalogue:

The information in the catalogue are not binding and in order to improve distribution, Chuan Kok Hardware & Machinery Pte Ltd reserves the right to make any change including size and pressure ratings considered necessary at any time and without prior notice. According to the copyright and the civil law, any reproduction (also partial) of figures and texts of this catalogue by means of electronic, mechanical, photocopies, microfilms, recordings or other is forbidden without Chuan Kok Hardware & Machinery Pte Ltd's authorization.
Catalogue Version: 2021

