

FLANGES

SAE Blind Flanges



Hydraulic SAE Blind Flanges

Specifications:

SAE-J518/ISO 6162, Hydraulic flanged tube, pipe and hose connections, four-bolt split flange type

Material Specifications:

ST52.3
 SS316

Size Range:

Code 61 (Series 3000): 3/8"NB – 5"NB
 Code 62 (Series 6000): 3/8"NB – 3"NB



Working Pressure:

Code 61 (Series 3000): 34 – 345 Bar
 Code 62 (Series 6000): 200 – 414 Bar

Temperature:

Carbon steel: -40°C - +120°C
 Stainless steel: -60°C - +50°C
 Working pressure for material stainless steel shall be reduced if exceed certain temperature:
 40% above +50°C to < +100°C
 11% above +100°C to < +200°C
 20% above +200°C to < +250°C

Orings:

NBR (Standard), Viton (Optional)

Flange Screws:

Metric screws according to DIN 912-8.8 (Standard)
 Metric screws according to DIN 912-10.9 (Optional)

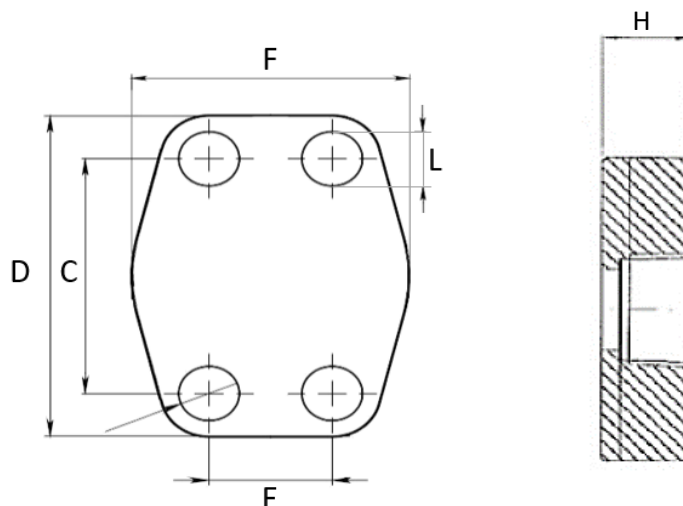
SAE Flange Recommended Torque Values

Code 61 (Series 3000)

Flange Size	Recommended Torque Range N/m
1/2"	32
3/4"	70
1"	70
1 1/4"	70
1 1/2"	130
2"	130
2 1/2"	130
3"	295
3 1/2"	295
4"	295
5"	295

Code 62 (Series 6000)

Flange Size	Recommended Torque Range N/m (+10% -0)
1/2"	32
3/4"	70
1"	130
1 1/4"	130
1 1/2"	295
2"	550
2 1/2"	550
3"	650

BLIND FLANGES

Series 3000

WP (Bar)	Size	Type	Dimensions						
			C	D	E	F	H	L	Screws
345	1/2"	AFC080	38.10	56	17.48	46	16	9	M8 x 30
345	3/4"	AFC100	47.63	65	22.23	50	16	11	M10 x 35
345	1"	AFC102	52.37	70	26.19	60	19	11	M10 x 35
276	1 1/4"	AFC104	58.72	79	30.18	68	18	11.5	M10 x 40
207	1 1/2"	AFC106	69.85	93	35.71	78	20	13.5	M12 x 45
207	2"	AFC108	77.77	102	42.88	90	20	13.5	M12 x 45
172	2 1/2"	AFC110	88.90	114	50.80	105	20	13.5	M12 x 45
138	3"	AFC112	106.38	134	61.93	124	24	17.5	M16 x 50
34	3 1/2"	AFC114	120.65	152	69.85	136	22	17.5	M16 x 50
34	4"	AFC116	130.18	162	77.77	146	25	17.5	M16 x 50
34	5"	AFC118	152.40	190	92.08	170	28	17.5	M16 x 55

Series 6000

WP (Bar)	Size	Type	Dimensions						
			C	D	E	F	H	L	Screws
414	1/2"	AFC401	40.49	56	18.24	48	16	9	M8 x 30
414	3/4"	AFC402	50.80	71	23.80	60	19	11	M10 x 35
414	1"	AFC403	57.15	81	27.76	70	24	13	M12 x 45
414	1 1/4"	AFC404	66.68	95	31.75	78	27	15	M14 x 45
414	1 1/4"	AFC404L13	66.68	95	31.75	78	27	13.5	M12 x 45
414	1 1/2"	AFC405	79.38	112	36.50	94	30	17	M16 x 55
414	2"	AFC406	96.82	134	44.45	114	30	21	M20 x 60
414	2 1/2"	AFC507	123.80	180	58.70	152	45	26	M24 x 80
414	3"	AFC508	152.40	208	71.40	178	55	33	M30 x 100

Designation for Order:

 Counter-Flanges
 (Flat side)

ST52.3	GFC...
SS316	GFCX...

 Flanges
 (Oring side)

ST52.3	AFC...
SS316	AFCX...

Chuan Kok Hardware & Machinery Pte Ltd

Address : 1783 Geylang Bahru, #01-02, Singapore 339708
Telephone Number : +65 6294 2566
Email Address : info@chuankok.com
Website : www.chuankok.com
Business Registration Number : 198201577Z
Country of Registration : Singapore

Conditions of Use of Catalogue:

The information in the catalogue are not binding and in order to improve distribution, Chuan Kok Hardware & Machinery Pte Ltd reserves the right to make any change including size and pressure ratings considered necessary at any time and without prior notice. According to the copyright and the civil law, any reproduction (also partial) of figures and texts of this catalogue by means of electronic, mechanical, photocopies, microfilms, recordings or other is forbidden without Chuan Kok Hardware & Machinery Pte Ltd's authorization.
Catalogue Version: 2021

