

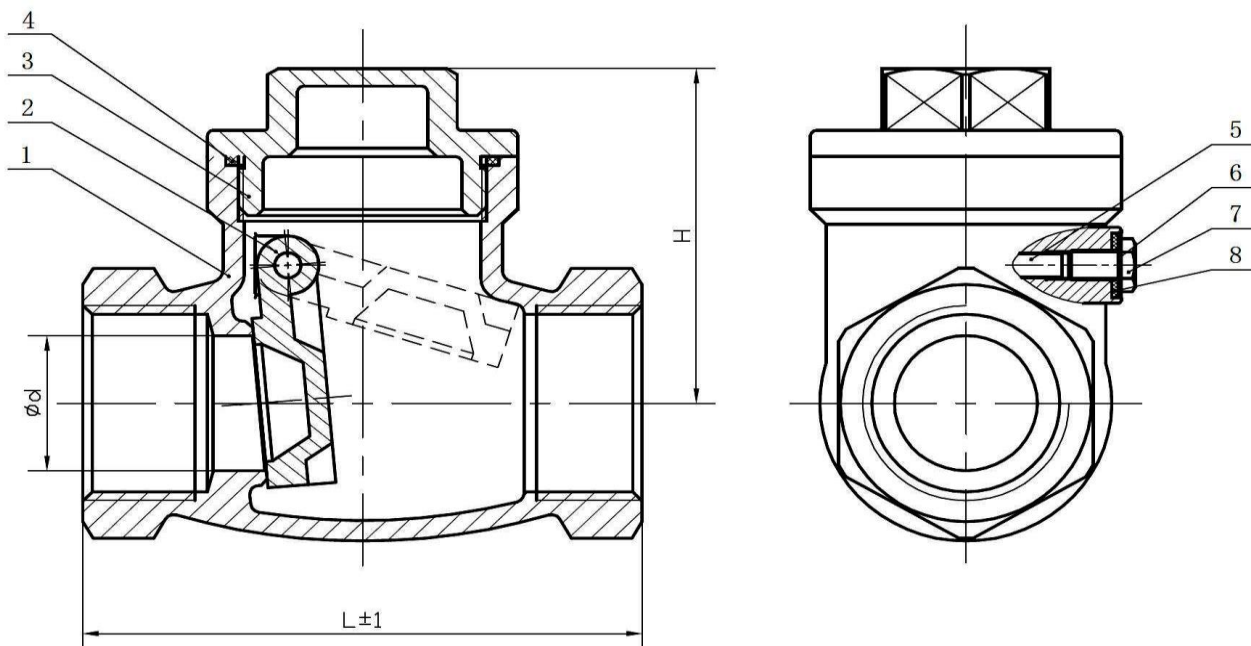
**BRASS SWING CHECK VALVE**

**Features:**

- Horizontal Swing type
- Material: Brass
- Size : 1/2" – 4"
- Working pressure: 200 PSI/300 PSI
- Threaded end: NPT
- Applicable Medium: General oil, Gas & Water applications
- Temperature Range: -10°C to 100°C



AddisOn Fluids



**TECHNICAL SPECIFICATION**

1. Basic design and manufacture according to ANSI B16.34
2. Threaded ends complied with ANSI B1.20.1.
3. Inspection according to API598

**Ordering Information**

 VL - S - B2 - G - 1000 - 08  
 I II III IV V VI

**I Type of Item**

VL Low Pressure Valves

**II Material Grade**

S SS316, CF8M

B Brass

**III Item**

|    |                      |     |                               |
|----|----------------------|-----|-------------------------------|
| GA | Gate Valve           | B1  | 1 PC Ball Valve               |
| GL | Globe Valve          | B2  | 2 PC Ball Valve               |
| YS | Y-Strainer           | B3  | 3 PC Ball Valve               |
| SC | Swing Check Valve    | BL  | 3 Way Ball Valve L Port       |
| VC | Vertical Check Valve | BT  | 3 Way Ball Valve T Port       |
| WC | Wafer Check Valve    | BMF | Male x Female Mini Ball Valve |
| DD | Dual Disc            |     |                               |

**IV Connection Type**

|    |       |   |             |
|----|-------|---|-------------|
| SW | S/W   | G | BSPP        |
| BW | B/W   | N | NPT         |
| R  | BSPT  | F | Flanged End |
| W  | Wafer |   |             |

**V Pressure**

|     |         |      |                           |
|-----|---------|------|---------------------------|
| 200 | 200 PSI | 1000 | 1000 PSI                  |
| 300 | 300 PSI | 150  | ANSI 150# Flange Standard |
| 600 | 600 PSI | 10K  | JIS 10K Flange Standard   |
| 800 | 800 PSI |      |                           |

For Inch OD &amp; Inch NB Sizes

**VI Size**

|      |      |        |        |      |        |      |      |
|------|------|--------|--------|------|--------|------|------|
| Size | 1/8" | 1/4"   | 5/16"  | 3/8" | 1/2"   | 5/8" | 3/4" |
| Code | 02   | 04     | 05     | 06   | 08     | 10   | 12   |
| Size | 1"   | 1 1/4" | 1 1/2" | 2"   | 2 1/2" | 3"   | 4"   |
| Code | 16   | 20     | 24     | 32   | 40     | 48   | 64   |

**VII Coating**

|        |                       |
|--------|-----------------------|
| (none) | No additional Coating |
| NI     | Nickel Plating        |

**Material List:**

| No. | Part Name    | Material |
|-----|--------------|----------|
| 1   | Body         | BRASS    |
| 2   | Disc         | BRASS    |
| 3   | Cap          | BRASS    |
| 4   | Body Gasket  | PTFE     |
| 5   | Pin          | BRASS    |
| 6   | Plain washer | BRASS    |
| 7   | Bolt         | BRASS    |
| 8   | Gasket       | PTFE     |

**Dimension List:**

| NPS    | Connection | Impa Code | Part No          | L    | H   | d    | Weight (kg) |
|--------|------------|-----------|------------------|------|-----|------|-------------|
| 1/2"   | NPT        | -         | VL-B-SC-N-200-08 | 45   | 31  | 12.8 | 0.13        |
| 3/4"   | NPT        | -         | VL-B-SC-N-300-12 | 55   | 36  | 17.0 | 0.18        |
| 1"     | NPT        | -         | VL-B-SC-N-300-16 | 61.5 | 43  | 23.0 | 0.28        |
| 1 1/4" | NPT        | -         | VL-B-SC-N-300-20 | 68   | 54  | 29.5 | 0.45        |
| 1 1/2" | NPT        | -         | VL-B-SC-N-300-24 | 83   | 57  | 31.0 | 0.55        |
| 2"     | NPT        | -         | VL-B-SC-N-300-32 | 95.5 | 68  | 41.0 | 0.86        |
| 2 1/2" | NPT        | -         | VL-B-SC-N-200-40 | 120  | 78  | 57.0 | 1.80        |
| 3"     | NPT        | -         | VL-B-SC-N-300-48 | 144  | 86  | 66.0 | 2.60        |
| 4"     | NPT        | -         | VL-B-SC-N-300-64 | 164  | 105 | 91.0 | 4.20        |

**Part Number Reference:**

| Impa Code | Part No          | Description                                 |
|-----------|------------------|---|
| -         | VL-B-SC-N-200-08 | 1/2"NPT BRASS SWING CHECK VALVE (200 PSI)   |
| -         | VL-B-SC-N-300-12 | 3/4"NPT BRASS SWING CHECK VALVE (300 PSI)   |
| -         | VL-B-SC-N-300-16 | 1"NPT BRASS SWING CHECK VALVE (300 PSI)     |
| -         | VL-B-SC-N-300-20 | 1 1/4"NPT BRASS SWING CHECK VALVE (300 PSI) |
| -         | VL-B-SC-N-300-24 | 1 1/2"NPT BRASS SWING CHECK VALVE (300 PSI) |
| -         | VL-B-SC-N-300-32 | 2"NPT BRASS SWING CHECK VALVE (300 PSI)     |
| -         | VL-B-SC-N-200-40 | 2 1/2"NPT BRASS SWING CHECK VALVE (200 PSI) |
| -         | VL-B-SC-N-300-48 | 3"NPT BRASS SWING CHECK VALVE (300 PSI)     |
| -         | VL-B-SC-N-300-64 | 4"NPT BRASS SWING CHECK VALVE (300 PSI)     |

### **Chuan Kok Hardware & Machinery Pte Ltd**

**Address:** 1783 Geylang Bahru #01-02, Kallang Distripark Singapore 339708

**Telephone Number:** +65 6294 2566

**Fax Number:** +65 6295 7013

**Email Address:** [info@chuankok.com](mailto:info@chuankok.com)

**Website:** [www.chuankok.com](http://www.chuankok.com)

**Business Registration Number:** 198201577Z

**Country of Registration:** Singapore

#### **Conditions of Use of Catalogue**

The information in the catalogue are not binding and in order to improve distribution, Chuan Kok Hardware & Machinery Pte Ltd reserves the right to make any change including size and pressure ratings considered necessary at any time and without prior notice.

According to the copyright and the civil law, any reproduction (also partial) of figures and texts of this catalogue by means of electronic, mechanical, photocopies, microfilms, recordings or other is forbidden without Chuan Kok Hardware & Machinery Pte Ltd's authorization.

Catalogue Version: 1216