

THREADED END BRASS STANDARD BALL VALVE 300 PSI

Feature:

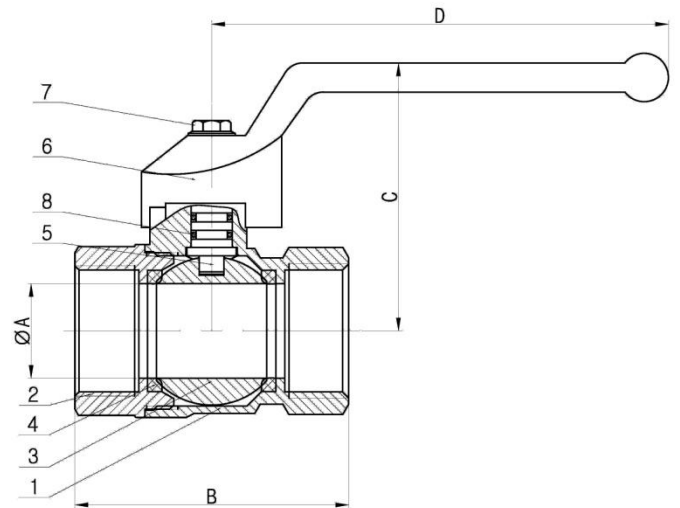
- Types available: Nickel plated & No Nickel plated
- Full bore, Quarter turn operation
- Size: 1/4" – 4" (DN8-100)
- Working Pressure: 300 PSI
- Threaded End: BSPP, NPT
- Applicable Medium: General oil, Gas & Water applications
- Blow-out Proof Stem Design
- Temperature Range: -29°C to 150°C



Addison Fluids

Material List:

No.	Part Name	Material
1	Body	Brass
2	Bonnet	Brass
3	Ball	Hard Chromed Brass
4	Seat	PTFE
5	Stem	Brass
6	Handle	Aluminium
7	Nut	Steel
8	O-Ring	NBR



Ordering Information

VL - S - B2 - G - 1000 - 08
 I II III IV V VI

I Type of Item

VL Low Pressure Valves

II Material Grade

S SS316, CF8M

B Brass

III Item

GA	Gate Valve	B1	1 PC Ball Valve
GL	Globe Valve	B2	2 PC Ball Valve
YS	Y-Strainer	B3	3 PC Ball Valve
SC	Swing Check Valve	BL	3 Way Ball Valve L Port
VC	Vertical Check Valve	BT	3 Way Ball Valve T Port
WC	Wafer Check Valve	BMF	Male x Female Mini Ball Valve

IV Connection Type

SW	S/W	G	BSP
BW	B/W	N	NPT
R	BSPT	F	Flanged End

V Pressure

200	200 PSI	1000	1000 PSI
300	300 PSI	150	ANSI 150# Flange Standard
800	800 PSI	10K	JIS 10K Flange Standard

For Inch OD & Inch NB Sizes

VI Size

Size	1/8"	1/4"	5/16"	3/8"	1/2"	5/8"	3/4"
Code	02	04	05	06	08	10	12
Size	1"	1 1/4"	1 1/2"	2"	2 1/2"	3"	4"
Code	16	20	24	32	40	48	64

VII Coating

(none) No additional Coating

NI Nickel Plating

Dimension List for brass standard ball valve (With nickel plating):

NPS	Connection	Impa Code	Part No	A	B	C	D	Weight (kg)
1/4"	BSPP	-	VL-B-B2-G-300-04-NI	8	39	40.0	86	0.08
3/8"	BSPP	75 24 01	VL-B-B2-G-300-06-NI	10	42	41.5	86	0.10
1/2"	BSPP	75 24 02	VL-B-B2-G-300-08-NI	14	46.4	45.5	86	0.11
3/4"	BSPP	75 24 03	VL-B-B2-G-300-12-NI	18	51	48.0	86	0.15
1"	BSPP	75 24 04	VL-B-B2-G-300-16-NI	24	64.5	60.5	95	0.35
1 1/4"	BSPP	75 24 05	VL-B-B2-G-300-20-NI	31	76	73.5	115	0.65
1 1/2"	BSPP	75 24 06	VL-B-B2-G-300-24-NI	39	85	78.5	115	0.83
2"	BSPP	75 24 07	VL-B-B2-G-300-32-NI	46	93	101.5	147	1.18
2 1/2"	BSPP	-	VL-B-B2-G-300-40-NI	58	119	113.0	185	2.12
3"	BSPP	-	VL-B-B2-G-300-48-NI	69	133	128.0	227	3.25
4"	BSPP	-	VL-B-B2-G-300-64-NI	85	167	138.0	227	5.52
1/4"	NPT	-	VL-B-B2-N-300-04-NI	8	39	40.0	86	0.08
3/8"	NPT	-	VL-B-B2-N-300-06-NI	10	42	41.5	86	0.10
1/2"	NPT	-	VL-B-B2-N-300-08-NI	14	46.4	45.5	86	0.11
3/4"	NPT	-	VL-B-B2-N-300-12-NI	18	51	48.0	86	0.15
1"	NPT	-	VL-B-B2-N-300-16-NI	24	64.5	60.5	95	0.35
1 1/4"	NPT	-	VL-B-B2-N-300-20-NI	31	76	73.5	115	0.65
1 1/2"	NPT	-	VL-B-B2-N-300-24-NI	39	85	78.5	115	0.83
2"	NPT	-	VL-B-B2-N-300-32-NI	46	93	101.5	147	1.18
2 1/2"	NPT	-	VL-B-B2-N-300-40-NI	58	119	113.0	185	2.12
3"	NPT	-	VL-B-B2-N-300-48-NI	69	133	128.0	227	3.25
4"	NPT	-	VL-B-B2-N-300-64-NI	85	167	138.0	227	5.52

Dimension List for brass standard ball valve (Without nickel plating):

NPS	Connection	Impa Code	Part No	A	B	C	D	Weight (kg)
1/4"	NPT	-	VL-B-B2-N-300-04	8	39	40.0	86	0.08
3/8"	NPT	-	VL-B-B2-N-300-06	10	42	41.5	86	0.10
1/2"	NPT	-	VL-B-B2-N-300-08	14	46.4	45.5	86	0.11
3/4"	NPT	-	VL-B-B2-N-300-12	18	51	48.0	86	0.15
1"	NPT	-	VL-B-B2-N-300-16	24	64.5	60.5	95	0.35
1 1/4"	NPT	-	VL-B-B2-N-300-20	31	76	73.5	115	0.65
1 1/2"	NPT	-	VL-B-B2-N-300-24	39	85	78.5	115	0.83
2"	NPT	-	VL-B-B2-N-300-32	46	93	101.5	147	1.18
2 1/2"	NPT	-	VL-B-B2-N-300-40	58	119	113.0	185	2.12
3"	NPT	-	VL-B-B2-N-300-48	69	133	128.0	227	3.25
4"	NPT	-	VL-B-B2-N-300-64	85	167	138.0	227	5.52

Part Number Reference:

Impa Code	Part No	Description
-	VL-B-B2-G-300-04-NI	1/4"BSPP BRASS BALL VALVE (300 PSI) NICKEL PLATED
75 24 01	VL-B-B2-G-300-06-NI	3/8"BSPP BRASS BALL VALVE (300 PSI) NICKEL PLATED
75 24 02	VL-B-B2-G-300-08-NI	1/2"BSPP BRASS BALL VALVE (300 PSI) NICKEL PLATED
75 24 03	VL-B-B2-G-300-12-NI	3/4"BSPP BRASS BALL VALVE (300 PSI) NICKEL PLATED
75 24 04	VL-B-B2-G-300-16-NI	1"BSPP BRASS BALL VALVE (300 PSI) NICKEL PLATED
75 24 05	VL-B-B2-G-300-20-NI	1 1/4"BSPP BRASS BALL VALVE (300 PSI) NICKEL PLATED
75 24 06	VL-B-B2-G-300-24-NI	1 1/2"BSPP BRASS BALL VALVE (300 PSI) NICKEL PLATED
75 24 07	VL-B-B2-G-300-32-NI	2"BSPP BRASS BALL VALVE (300 PSI) NICKEL PLATED
-	VL-B-B2-G-300-40-NI	2 1/2"BSPP BRASS BALL VALVE (300 PSI) NICKEL PLATED
-	VL-B-B2-G-300-48-NI	3"BSPP BRASS BALL VALVE (300 PSI) NICKEL PLATED
-	VL-B-B2-G-300-64-NI	4"BSPP BRASS BALL VALVE (300 PSI) NICKEL PLATED
-	VL-B-B2-N-300-04-NI	1/4"NPT BRASS BALL VALVE (300 PSI) NICKEL PLATED
-	VL-B-B2-N-300-06-NI	3/8"NPT BRASS BALL VALVE (300 PSI) NICKEL PLATED
-	VL-B-B2-N-300-08-NI	1/2"NPT BRASS BALL VALVE (300 PSI) NICKEL PLATED
-	VL-B-B2-N-300-12-NI	3/4"NPT BRASS BALL VALVE (300 PSI) NICKEL PLATED
-	VL-B-B2-N-300-16-NI	1"NPT BRASS BALL VALVE (300 PSI) NICKEL PLATED
-	VL-B-B2-N-300-20-NI	1 1/4"NPT BRASS BALL VALVE (300 PSI) NICKEL PLATED
-	VL-B-B2-N-300-24-NI	1 1/2"NPT BRASS BALL VALVE (300 PSI) NICKEL PLATED
-	VL-B-B2-N-300-32-NI	2"NPT BRASS BALL VALVE (300 PSI) NICKEL PLATED
-	VL-B-B2-N-300-40-NI	2 1/2"NPT BRASS BALL VALVE (300 PSI) NICKEL PLATED
-	VL-B-B2-N-300-48-NI	3"NPT BRASS BALL VALVE (300 PSI) NICKEL PLATED
-	VL-B-B2-N-300-64-NI	4"NPT BRASS BALL VALVE (300 PSI) NICKEL PLATED
-	VL-B-B2-N-300-04	1/4"NPT BRASS BALL VALVE (300 PSI), NO NICKEL PLATING
-	VL-B-B2-N-300-06	3/8"NPT BRASS BALL VALVE (300 PSI), NO NICKEL PLATING
-	VL-B-B2-N-300-08	1/2"NPT BRASS BALL VALVE (300 PSI), NO NICKEL PLATING
-	VL-B-B2-N-300-12	3/4"NPT BRASS BALL VALVE (300 PSI), NO NICKEL PLATING
-	VL-B-B2-N-300-16	1"NPT BRASS BALL VALVE (300 PSI), NO NICKEL PLATING
-	VL-B-B2-N-300-20	1 1/4"NPT BRASS BALL VALVE (300 PSI), NO NICKEL PLATING
-	VL-B-B2-N-300-24	1 1/2"NPT BRASS BALL VALVE (300 PSI), NO NICKEL PLATING
-	VL-B-B2-N-300-32	2"NPT BRASS BALL VALVE (300 PSI), NO NICKEL PLATING
-	VL-B-B2-N-300-40	2 1/2"NPT BRASS BALL VALVE (300 PSI), NO NICKEL PLATING
-	VL-B-B2-N-300-48	3"NPT BRASS BALL VALVE (300 PSI), NO NICKEL PLATING
-	VL-B-B2-N-300-64	4"NPT BRASS BALL VALVE (300 PSI), NO NICKEL PLATING

Chuan Kok Hardware & Machinery Pte Ltd

Address: 1783 Geylang Bahru #01-02, Kallang Distripark Singapore 339708

Telephone Number: +65 6294 2566

Fax Number: +65 6295 7013

Email Address: info@chuankok.com

Website: www.chuankok.com

Business Registration Number: 198201577Z

Country of Registration: Singapore

Conditions of Use of Catalogue

The information in the catalogue are not binding and in order to improve distribution, Chuan Kok Hardware & Machinery Pte Ltd reserves the right to make any change including size and pressure ratings considered necessary at any time and without prior notice.

According to the copyright and the civil law, any reproduction (also partial) of figures and texts of this catalogue by means of electronic, mechanical, photocopies, microfilms, recordings or other is forbidden without Chuan Kok Hardware & Machinery Pte Ltd's authorization.

Catalogue Version: 1215