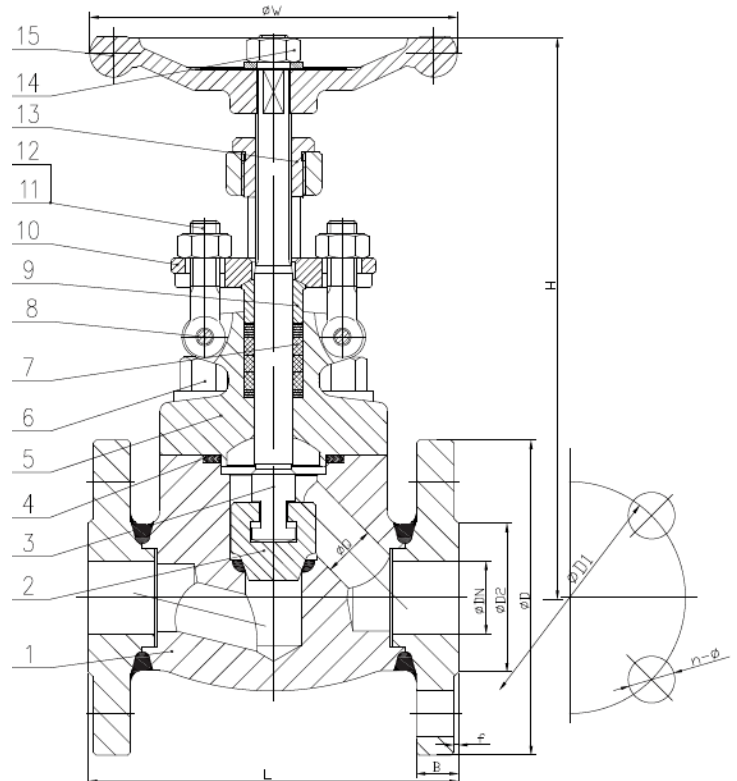


**ANSI 150# STAINLESS STEEL FLANGE GLOBE VALVE**
**Feature:**

- ANSI 150# Flange Connection
- Size: 1" – 1 1/2"
- Valve Body Material: SS316
- Working Pressure: 150 PSI
- Applicable Medium: General oil , gas and water applications
- Temperature range: -29°C to 425°C


**Material List:**

No.	Part Name	Material
1	Body + Seat	ASTM A182 F316
2	Disc	ASTM A182 F316
3	Stem	ASTM A182 F316
4	Gasket	SS316 + Graphite
5	Bonnet	ASTM A182 F316
6	Bonnet Bolt	ASTM A193 B8M
7	Packing	Graphite
8	Pin	ASTM A182 F316
9	Gland	ASTM A182 F316
10	Gland Flange	ASTM A182 F316
11	Gland Bolt	ASTM A193 B8M
12	Gland Nut	ASTM A194 8M
13	Yoke Sleeve	ASTM A276 410
14	Lock Nut	Carbon Steel
15	Handwheel	ASTM A197


**Technical Specifications**

1. Basic design and manufacture according to API602/BS5352
2. Face to face dimension: ASME B16.10
3. Flange End: ASME B16.5 RF
4. Inspection and test: API 598

Main Technical Parameter			
Normal pressure		150PSI	
Test pressure	Shell test pressure	3.0	MPa
	Seal test	2.2	
	Gas test	0.6	
Max working temperature		-29°C to 425°C	
Applicable Medium: General oil, gas & water			



### Ordering Information

VL - S - B2 - G - 1000 - 08  
 I II III IV V VI

#### I Type of Item

VL Low Pressure Valves

#### II Material Grade

S SS316, CF8M CI Cast Iron  
 FS Forged Steel CS Cast Steel  
 B Brass

#### III Item

GA Gate Valve B1 1 PC Ball Valve  
 GL Globe Valve B2 2 PC Ball Valve  
 YS Y-Strainer B3 3 PC Ball Valve  
 SC Swing Check Valve BL 3 Way Ball Valve L Port  
 VC Vertical Check Valve BT 3 Way Ball Valve T Port  
 WC Wafer Check Valve BMF Male x Female Mini Ball Valve  
 DD Dual Disk BU Butterfly Valve

#### IV Connection Type

SW S/W G BSPP  
 BW B/W N NPT  
 R BSPT F Flanged End  
 W Wafer L Lug

#### V Pressure

200 200 PSI 1000 1000 PSI  
 300 300 PSI 150 ANSI 150# Flange Standard  
 600 600 PSI 10K JIS 10K Flange Standard  
 800 800 PSI PN16 PN16 Flange Standard

For Inch OD & Inch NB Sizes

#### VI Size

Size	1/8"	1/4"	5/16"	3/8"	1/2"	5/8"	3/4"	1"
Code	02	04	05	06	08	10	12	16
Size	1 1/4"	1 1/2"	2"	2 1/2"	3"	4"	5"	6"
Code	20	24	32	40	48	64	80	96

#### VII Coating

(none) No additional Coating  
 NI Nickel Plating



**Dimension List:**

NPS	Part No	Q	D	D1	D2	L	W	H	B	F	n-Øz
1"	VL-S-GL-F-150-16	18	108	79	51	127	125	203	14	1.3	4-Ø16
1 1/4"	VL-S-GL-F-150-20	23	117	89	63.5	140	160	224	16	1.3	4-Ø16
1 1/2"	VL-S-GL-F-150-24	30	127	98.5	75	165	160	260	17.5	1.3	4-Ø16

**Part Number Reference:**

Part No	Description
VL-S-GL-F-150-16	1" 150# SS316 FLANGE END GLOBE VALVE RF,RISING STEM,HANDWHEEL OPERATED
VL-S-GL-F-150-20	1 1/4" 150# SS316 FLANGE END GLOBE VALVE RF,RISING STEM,HANDWHEEL OPERATED
VL-S-GL-F-150-24	1 1/2" 150# SS316 FLANGE END GLOBE VALVE RF,RISING STEM,HANDWHEEL OPERATED



### **Chuan Kok Hardware & Machinery Pte Ltd**

**Address:** 1783 GeylangBahru #01-02, KallangDistripark Singapore 339708

**Telephone Number:** +65 6294 2566

**Fax Number:** +65 6295 7013

**Email Address:**[info@chuankok.com](mailto:info@chuankok.com)

**Website:**[www.chuankok.com](http://www.chuankok.com)

**Business Registration Number:** 198201577Z

**Country of Registration:** Singapore

### **Conditions of Use of Catalogue**

The information in the catalogue are not binding and in order to improve distribution, Chuan Kok Hardware & Machinery Pte Ltd reserves the right to make any change including size and pressure ratings considered necessary at any time and without prior notice.

According to the copyright and the civil law, any reproduction (also partial) of figures and texts of this catalogue by means of electronic, mechanical, photocopies, microfilms, recordings or other is forbidden without Chuan Kok Hardware & Machinery Pte Ltd's authorization.

Catalogue Version: 0318