

### ANSI 150# CAST STEEL FLANGE END GLOBE VALVE

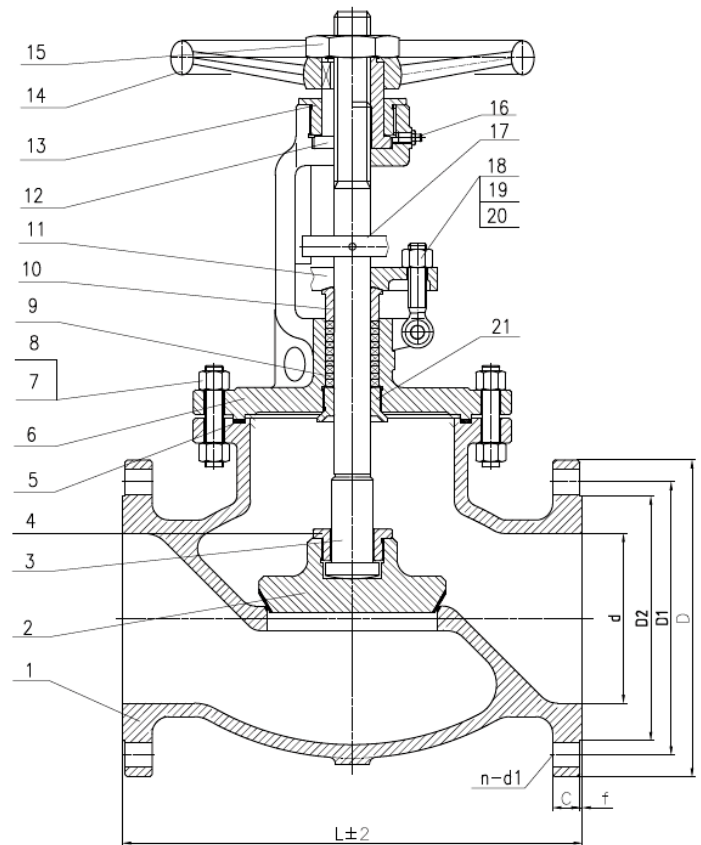
#### Feature:

- ANSI 150# Flange Connection
- Size: 2" – 4"
- Valve Body Material: Cast Steel
- Working Pressure: Class 150
- Applicable Medium: General oil , gas and water applications
- Temperature range:  $\leq 425^{\circ}\text{C}$



#### Material List:

NO.	Part Name	Material
1	Body	ASTM A216 WCB
2	Disc	ASTM A105 + 13%Cr
3	Stem	ASTM A182 F6a
4	Gland	AISI 1035
5	Gasket	304 + Graphite
6	Bonnet	ASTM A216 WCB
7	Bolt	ASTM A193 B7
8	Nut	ASTM A194 2H
9	Packing	Flexible Graphite
10	Gland	ASTM A276 410
11	Gland Flange	ASTM A216 WCB
12	Stem Nut	D2
13	Retaining Nut	AISI 1035
14	Handwheel	ASTM A216 WCB
15	Lock Nut	AISI 1020
16	Nipple	Assembly
17	Plate	ASTM A216 WCB
18	Eye Bolt	AISI 1035
19	Pin	Carbon Steel
20	Nut	ASTM A194 2H
21	Back Seat	ASTM A276 410



#### Technical Specifications

1. Basic design and manufacture according to BS 1873
2. Face to face dimension: ASME B16.10
3. Flange End: ASME B16.5
4. Inspection and test: API 598

Main Technical Parameter			
Normal pressure		150PSI	
Test pressure	Shell test	3.0	MPa
	Back Seal test	2.2	
	Seal test	2.2	
	Gas test	0.6	
Max working temperature		$\leq 425^{\circ}\text{C}$	$^{\circ}\text{C}$
Applicable Medium: General oil, gas & water			

**Ordering Information**

 VL - S - B2 - G - 1000 - 08  
 I II III IV V VI

**I Type of Item**

VL Low Pressure Valves

**II Material Grade**

 S SS316, CF8M CI Cast Iron  
 FS Forged Steel CS Cast Steel  
 B Brass

**III Item**

 GA Gate Valve B1 1 PC Ball Valve  
 GL Globe Valve B2 2 PC Ball Valve  
 YS Y-Strainer B3 3 PC Ball Valve  
 SC Swing Check Valve BL 3 Way Ball Valve L Port  
 VC Vertical Check Valve BT 3 Way Ball Valve T Port  
 WC Wafer Check Valve BMF Male x Female Mini Ball Valve  
 DD Dual Disk BU Butterfly Valve

**IV Connection Type**

 SW S/W G BSPP  
 BW B/W N NPT  
 R BSPT F Flanged End  
 W Wafer L Lug

**V Pressure**

 200 200 PSI 1000 1000 PSI  
 300 300 PSI 150 ANSI 150# Flange Standard  
 600 600 PSI 10K JIS 10K Flange Standard  
 800 800 PSI PN16 PN16 Flange Standard

For Inch OD &amp; Inch NB Sizes

**VI Size**

Size	1/8"	1/4"	5/16"	3/8"	1/2"	5/8"	3/4"	1"
Code	02	04	05	06	08	10	12	16
Size	1 1/4"	1 1/2"	2"	2 1/2"	3"	4"	5"	6"
Code	20	24	32	40	48	64	80	96

**VII Coating**

 (none) No additional Coating  
 NI Nickel Plating

**Dimension List:**

NPS	Part No	d	L	D	D1	D2	n – d1	C	f
2"	VL-CS-GL-F-150-32	51	203	152	120.7	92.1	4-Ø19	17.5	2
3"	VL-CS-GL-F-150-48	76	241	190	152.4	127	4-Ø19	22.3	2
4"	VL-CS-GL-F-150-64	102	292	230	190.5	157	8-Ø19	22.3	2

**Part Number Reference:**

Part No	Description
VL-CS-GL-F-150-32	2" 150# CS FLANGE END GLOBE VALVE RF,RISING STEM,SS410 STEM
VL-CS-GL-F-150-48	3" 150# CS FLANGE END GLOBE VALVE RF,RISING STEM,SS410 STEM
VL-CS-GL-F-150-64	4" 150# CS FLANGE END GLOBE VALVE RF,RISING STEM,SS410 STEM

### **Chuan Kok Hardware & Machinery Pte Ltd**

**Address:** 1783 Geylang Bahru #01-02, Kallang Distripark Singapore 339708

**Telephone Number:** +65 6294 2566

**Fax Number:** +65 6295 7013

**Email Address:** [info@chuankok.com](mailto:info@chuankok.com)

**Website:** [www.chuankok.com](http://www.chuankok.com)

**Business Registration Number:** 198201577Z

**Country of Registration:** Singapore

### **Conditions of Use of Catalogue**

The information in the catalogue are not binding and in order to improve distribution, Chuan Kok Hardware & Machinery Pte Ltd reserves the right to make any change including size and pressure ratings considered necessary at any time and without prior notice.

According to the copyright and the civil law, any reproduction (also partial) of figures and texts of this catalogue by means of electronic, mechanical, photocopies, microfilms, recordings or other is forbidden without Chuan Kok Hardware & Machinery Pte Ltd's authorization.

Catalogue Version: 0318